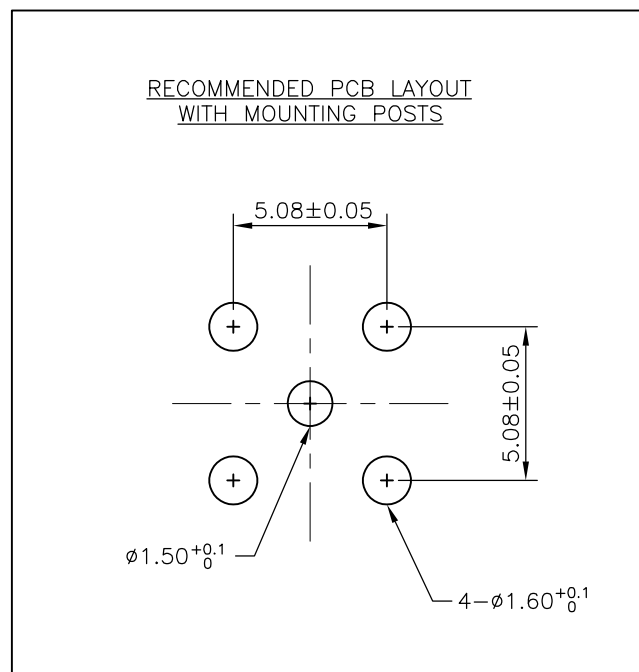
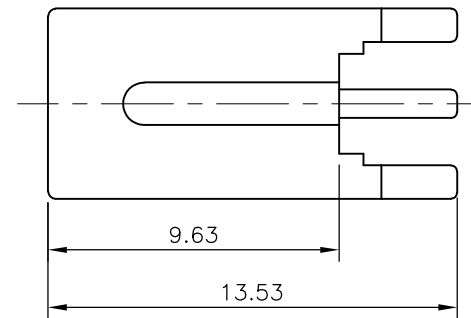
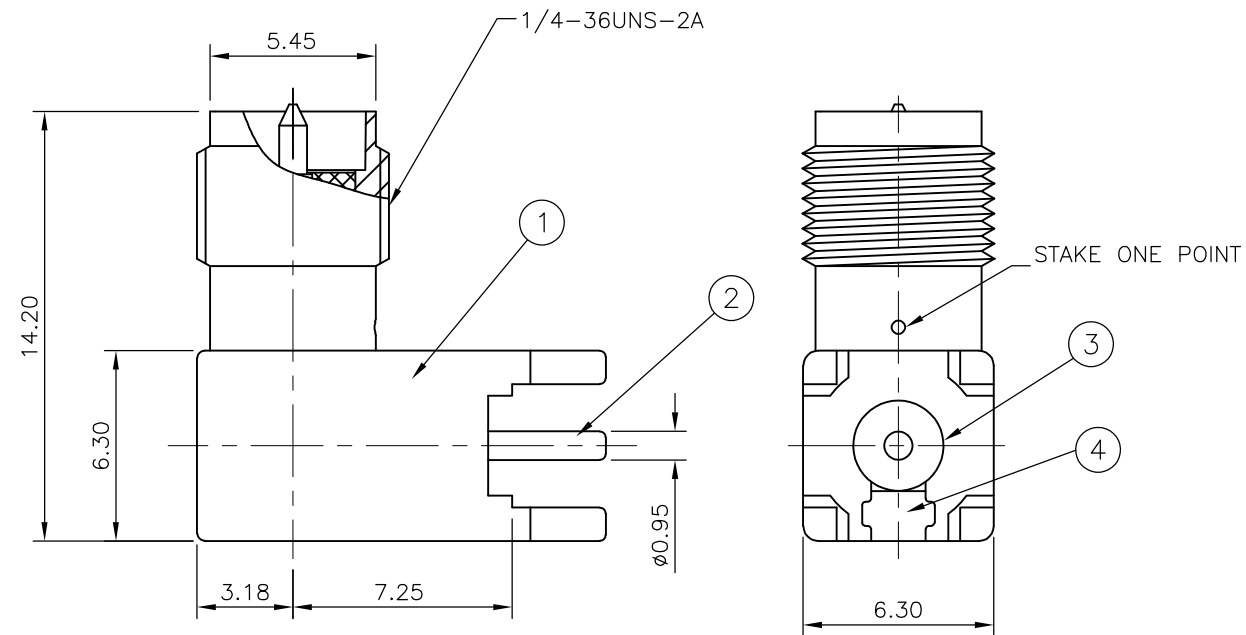


P	LTR	DESCRIPTION	DATE	DWN	APVD
	A	INITIAL RELEASE	17NOV16	LN	RS

NOTES

- 1 SINGLE PACK IN ACCORDANCE WITH TE SPEC 107-3275
- 2 100 TRAY PACK IN ACCORDANCE WITH TE SPEC 107-3275
- 3 Au PLATING
- 4. ALL DIMENSIONS ARE NOMINAL FOR REFERENCE ONLY UNLESS OTHERWISE STATED



QTY	QTY	MATERIAL	DESCRIPTION	ITEM
1	1	ZINC ALLOY	CAP	4
1	1	PTFE	INSULATOR	3
1	1	BRASS	CONTACT	2
1	1	ZINC ALLOY	BODY	1
1	-1			
1	-1			

QUANTITY PER ASSY PARTS LIST

THIS DRAWING IS A CONTROLLED DOCUMENT.		DWN LIN NI	17NOV2016	STE TE Connectivity	
DIMENSIONS: mm		CHK BILL WONG	17NOV2016		
TOLERANCES UNLESS OTHERWISE SPECIFIED:		APVD ROGER SONG	17NOV2016	NAME SMA RIGHT ANGLE, PCB, DIE CAST REVERSE POLAR	
0 PLC ± -		PRODUCT SPEC		SIZE	
1 PLC ± 0.2				CAGE CODE	DRAWING NO
2 PLC ± 0.1		APPLICATION SPEC		RESTRICTED TO	
3 PLC ± -				WEIGHT	0.000000
4 PLC ± -				A3	00779
ANGLES ± -				C-	2016504
FINISH				SCALE	NTS
MATERIAL SEE TABLE				SHEET	1 OF 1
				REV	A