

RoHS COMPLIANT BY EXEMPTION

TABLE FOR PART NUMBERS

| MOLEX PART# | FCT PART# | X-X | A [mm] | B [mm] | C [mm] | E* [mm] | F* [mm] | NO. OF CONTACTS 1./2./3. ROW | FORMERLY PART NO |
|-------------|-------------------|-------|--------|--------|--------|---------|---------|------------------------------|------------------|
| 1731130153 | F09-15P135G0-5979 | 09-15 | 30.8 | 16.9 | 25 | Ø1.1 | Ø3 | 5/5/5 | CT09-15P135-5805 |
| 1731130154 | F15-26P135G0-5979 | 15-26 | 39.1 | 25.2 | 33.3 | | | 9/9/8 | CT15-26P135-5805 |
| 1731130155 | F25-44P135G0-5979 | 25-44 | 53 | 38.9 | 47.04 | | | 15/15/14 | CT25-44P135-5805 |

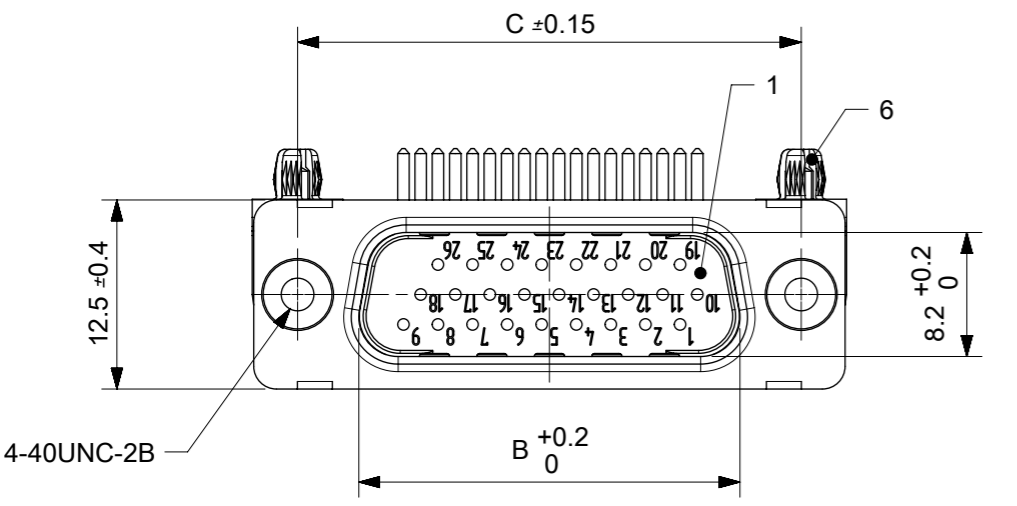
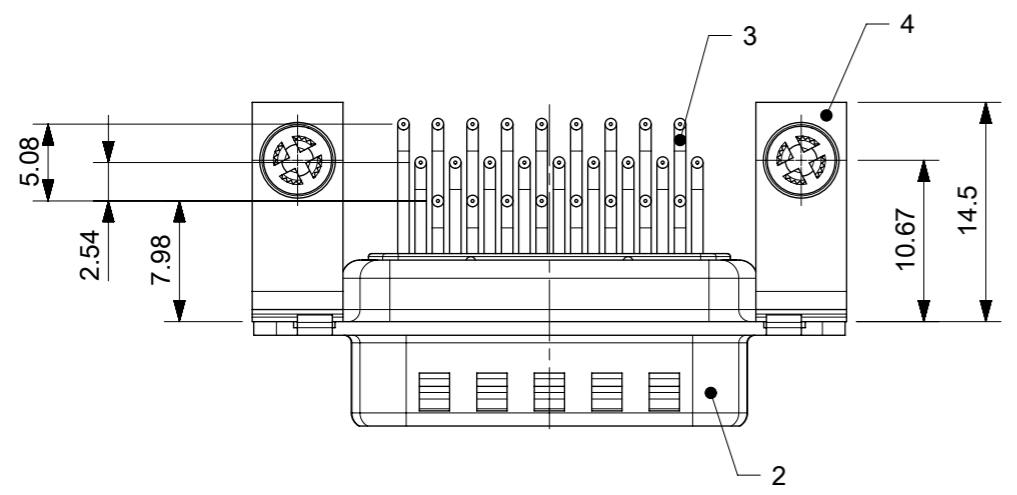
*PCB HOLE PATTERNS, ØE, ØF, ON SUPPLEMENT 1731131002

TABLE FOR GENERAL TOLERANCES

| PERMISSIBLE DEVIATIONS FOR BASIC SIZE RANGE | | | | |
|---|---------------|----------------|------------------|-------------------|
| 0.5 UPTO 3 | OVER 3 UPTO 6 | OVER 6 UPTO 30 | OVER 30 UPTO 120 | OVER 120 UPTO 400 |
| ±0.1 | ±0.1 | ±0.2 | ±0.3 | ±0.5 |

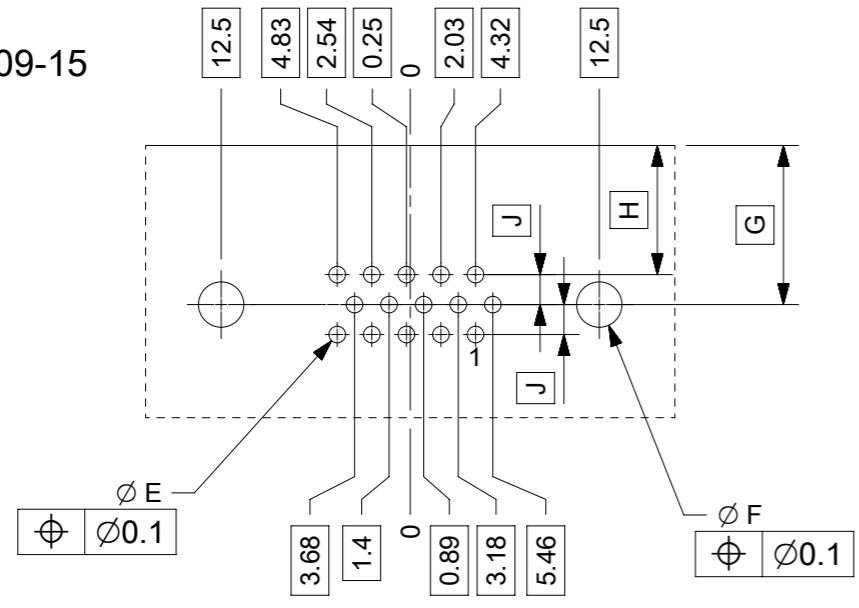
X-X NO. OF CONTACTS 09-15, 15-26, 25-44

| | | | | |
|-----|-----|--------------------------|---------------------------|------------------------------|
| 6 | 2 | SNAP IN RIVET | PCB 1.6mm / BRASS | TIN PLATED |
| 5 | 2 | CLINCH NUT | MW 4-40 / BRASS | TIN PLATED |
| 4 | 2 | BRACKET | F1080-29 / STEEL | TIN PLATED |
| 3 | X-X | SIGNAL CONTACT, MACHINED | HP135 / BRASS | 0.8µm Au |
| 2 | 1 | SHELL | STEEL | TIN PLATED |
| 1 | 1 | INSULATOR | THERMOPLASTIC, GF | BLACK |
| NO. | St. | PART | TYPE DESCRIPTION/MATERIAL | SURFACE PLATING/COLOUR/CLASS |

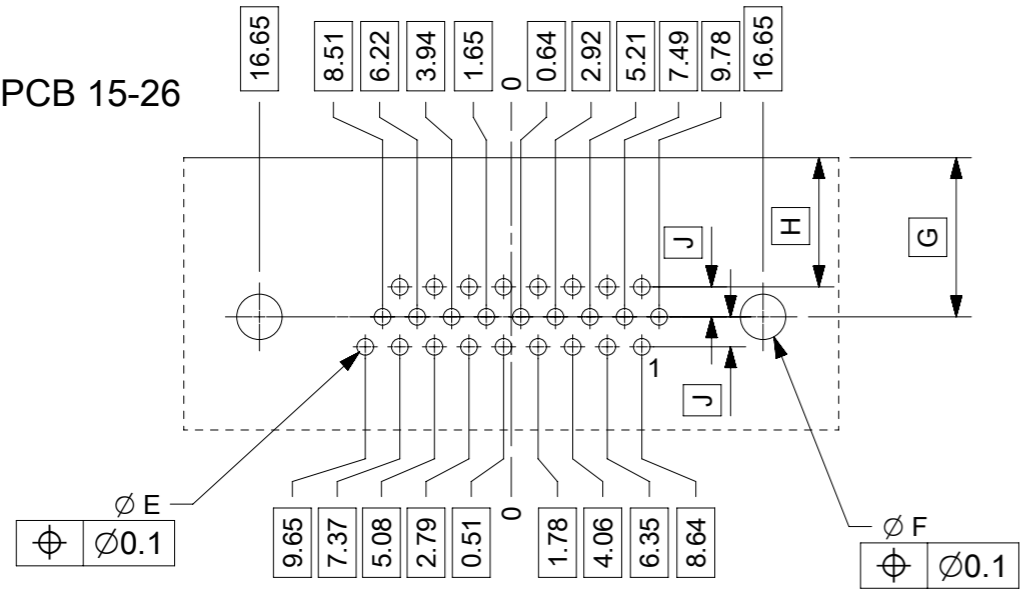


| | | | | |
|--|---|--|---|--|
| QUALITY SYMBOLS | THIS DRAWING CONTAINS INFORMATION THAT IS PROPRIETARY TO MOLEX ELECTRONIC TECHNOLOGIES, LLC AND SHOULD NOT BE USED WITHOUT WRITTEN PERMISSION | | | |
| | △ = 0 ▽ = 0 ▽ = 0 ▽ = 0 ▽ = 0 ▽ = 0 ▽ = 0 ▽ = 0 ▽ = 0 ▽ = 0 ▽ = 0 | 2017/08/30 2017/08/30 2017/08/30 2017/08/30 2017/08/30 2017/08/30 2017/08/30 2017/08/30 2017/08/30 2017/08/30 2017/08/30 | GENERAL TOLERANCES (UNLESS SPECIFIED) ANGULAR TOL ± ° 4 PLACES ± 3 PLACES ± 2 PLACES ± 1 PLACE ± 0 PLACES ± DRAFT WHERE APPLICABLE MUST REMAIN WITHIN DIMENSIONS | DIMENSION UNITS: mm SCALE: 2:1 DRWN BY: RLALSANGI DATE: 2017/04/14 CHK'D BY: ISHWARG DATE: 2017/06/07 APPR BY: ISHWARG DATE: 2017/06/07 DRAWING SIZE: A3 THIRD ANGLE PROJECTION |
| DRAWING UPDATED EC NO: 121239 DRWN: ISHWARG CHK'D: KPRASAD APPR: KPRASAD | | | | |
| HPD HIGH DENSITY D-SUB, RIGHT ANGLE PCB CONNECTOR, WITH MACHINED MALE CONTACTS | | PRODUCT CUSTOMER DRAWING | | |
| SERIES: 173113 MATERIAL NUMBER: SEE TABLE CUSTOMER: GENERAL MARKET | | DOCUMENT NUMBER: 1731130153 DOC TYPE: PSD DOC PART: 000 SHEET NUMBER: 1 OF 1 | | |

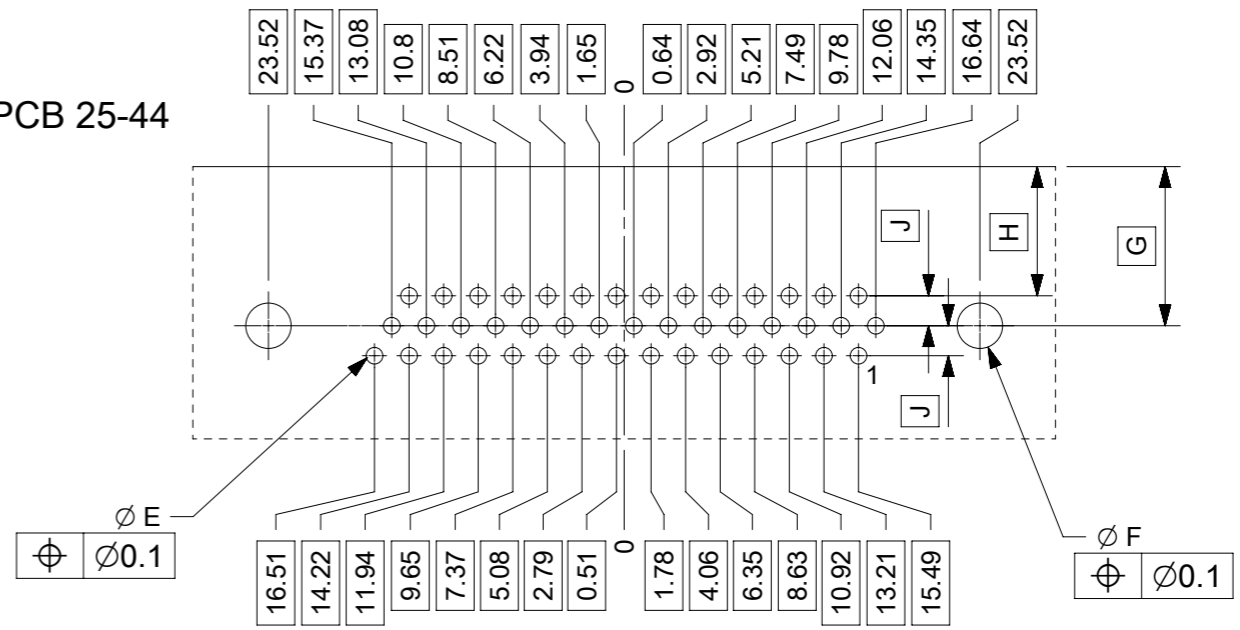
PCB 09-15



PCB 15-26



PCB 25-44



VIEW ON MOUNTING SIDE

ØE, ØF, G, H, J SEE DATA SHEET INCL. CONNECTOR
ØF, CONNECTORS WITH ACCESSORIES ONLY

THIS DRAWING CONTAINS INFORMATION THAT IS PROPRIETARY TO MOLEX ELECTRONIC TECHNOLOGIES, LLC AND SHOULD NOT BE USED WITHOUT WRITTEN PERMISSION

| | | | | | | | | | | |
|---|--|---|-----------------------|--------------------------|--|-----------------------------------|-------------------------------|-----------------|-----------------|------------------------|
| EC NO: 117803 DRWN: RLALSANGI CHK'D: ISHWARG APPR: ISHWARG | 2017/05/12 2017/06/07 2017/06/07 | GENERAL TOLERANCES (UNLESS SPECIFIED) ANGULAR TOL ± ° 4 PLACES ± 3 PLACES ± 2 PLACES ± 1 PLACE ± 0 PLACES ± DRAFT WHERE APPLICABLE MUST REMAIN WITHIN DIMENSIONS | DIMENSION UNITS MM | SCALE 1:1 | | | | | | |
| | DRWN BY RLALSANGI | | DATE 2017/05/12 | PRODUCT CUSTOMER DRAWING | | | | | | |
| | CHK'D BY ISHWARG | | DATE 2017/06/07 | SERIES 173113 | | MATERIAL NUMBER NOT APPLICABLE | CUSTOMER GENERAL MARKET | | | |
| | APPR BY ISHWARG | | DATE 2017/06/07 | DRAWING SIZE A3 | | THIRD ANGLE PROJECTION | DOCUMENT NUMBER 1731131002 | DOC TYPE PSD | DOC PART 000 | SHEET NUMBER 1 OF 1 |
| | A | | REV | A3 | | | 1731131002 | PSD | 000 | 1 OF 1 |