

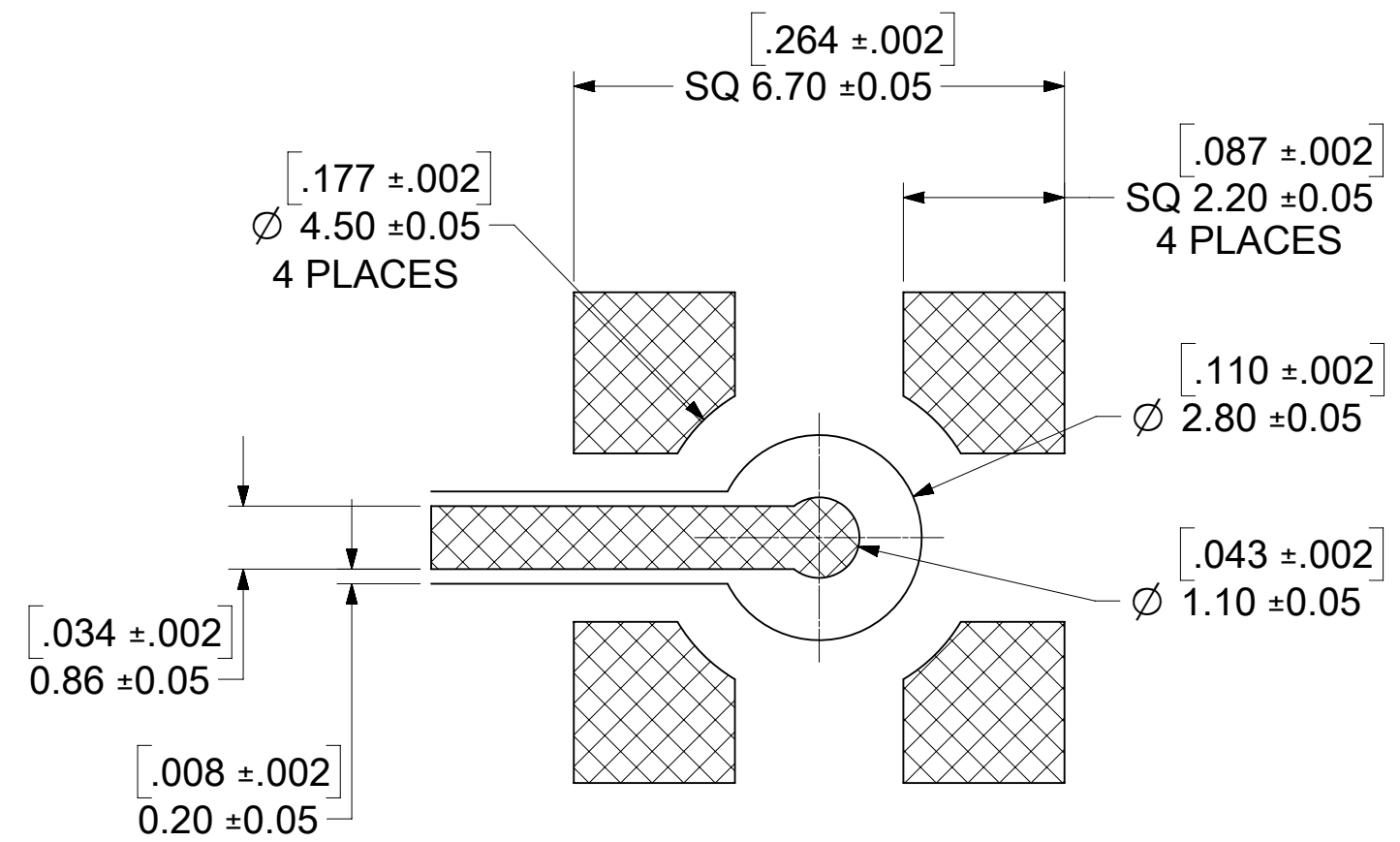
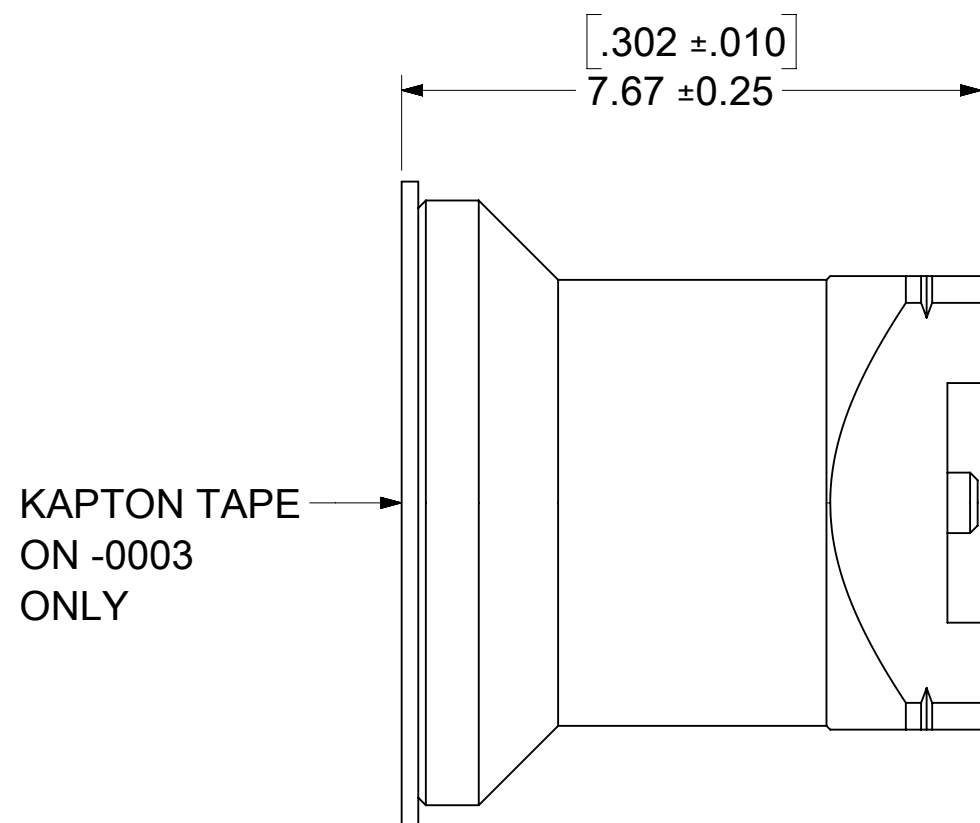
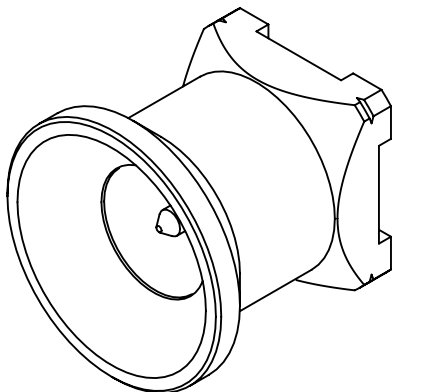
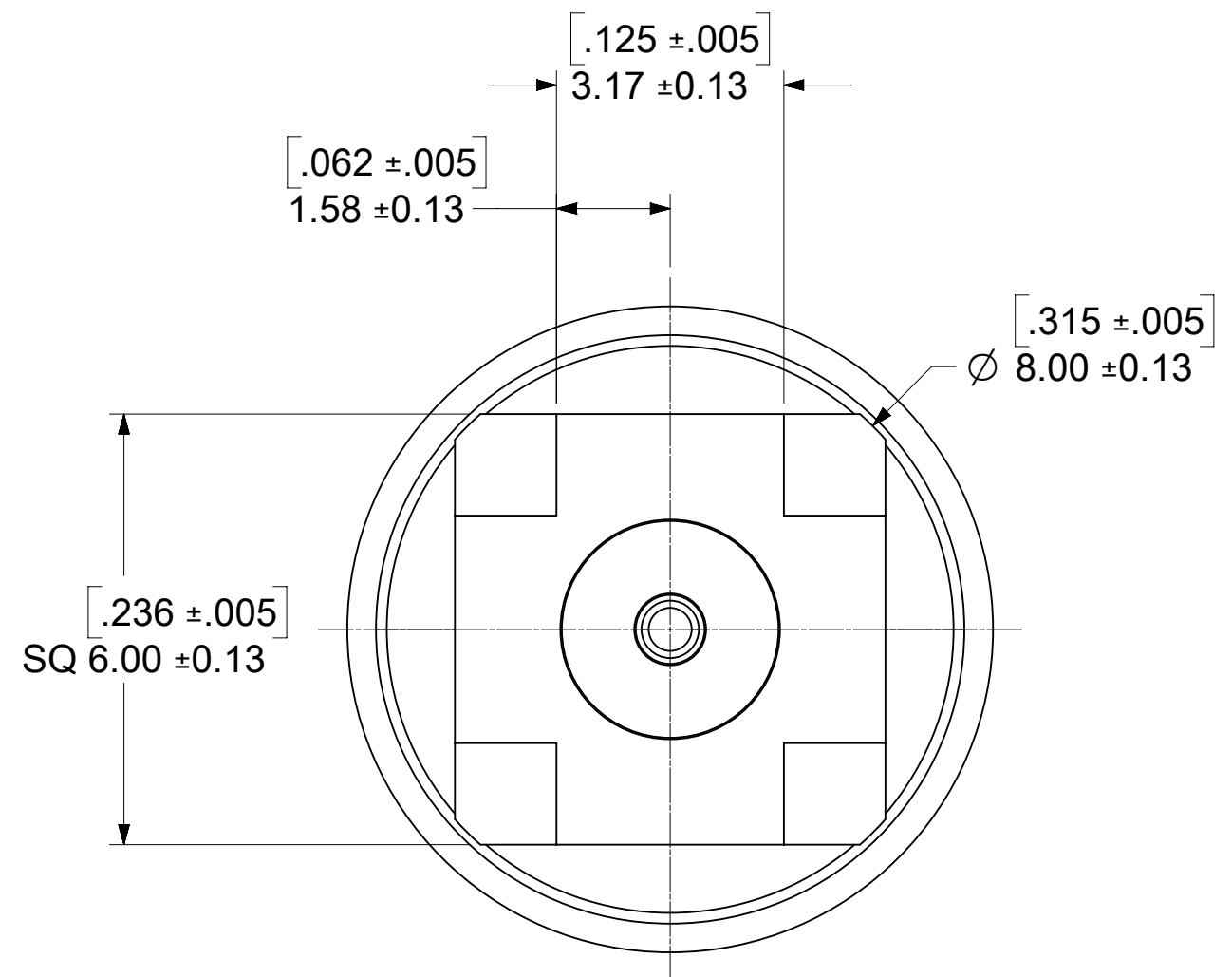
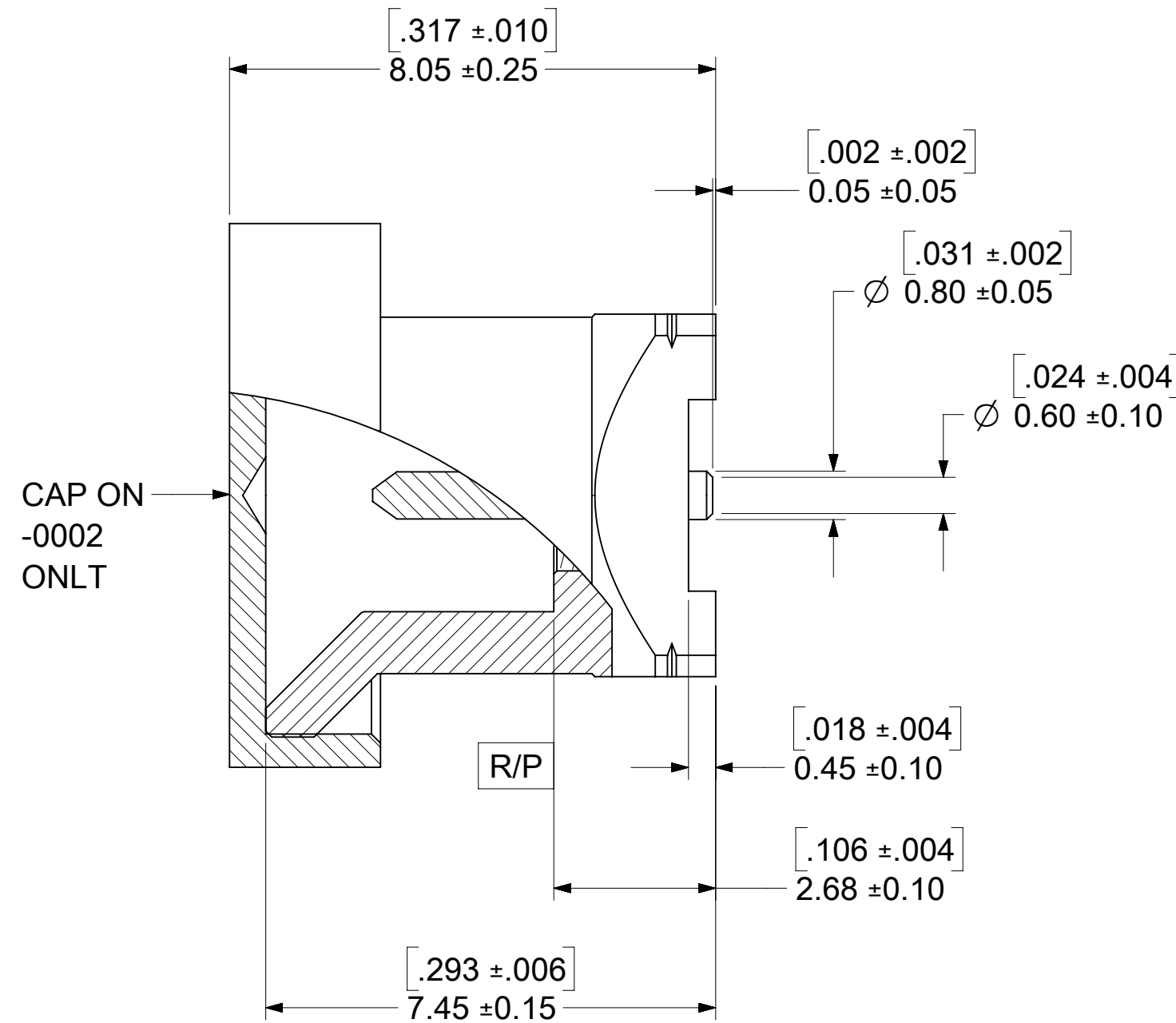
MATERIALS AND FINISHES

BODY, CONTACT: BRASS
 PLATED GOLD (8U" MIN)
 OVER NICKEL PHOSPHOR (80U" MIN)
 OVER COPPER (20U" MIN)

INSULATOR: PTFE

CAP: PTFE (ON -0002 ONLY)

TAPE DOT: KAPTON (ON -0003 ONLY)



RECOMMENDED PCB LAYOUT

73420-0003	TAPE AND REEL WITH KAPTON	500
73420-0002	TAPE AND REEL WITH CAP	500
73420-0001	TRAY	80
PART NO.	PACKAGING	QTY

PS-89675-3760	ELEC/MECH PERFORMANCE
SPECIFICATION	DESCRIPTION

C2	2017/7/31	ADD TOLERANCE PER EWR #11168-A
REV	DATE	DESCRIPTION

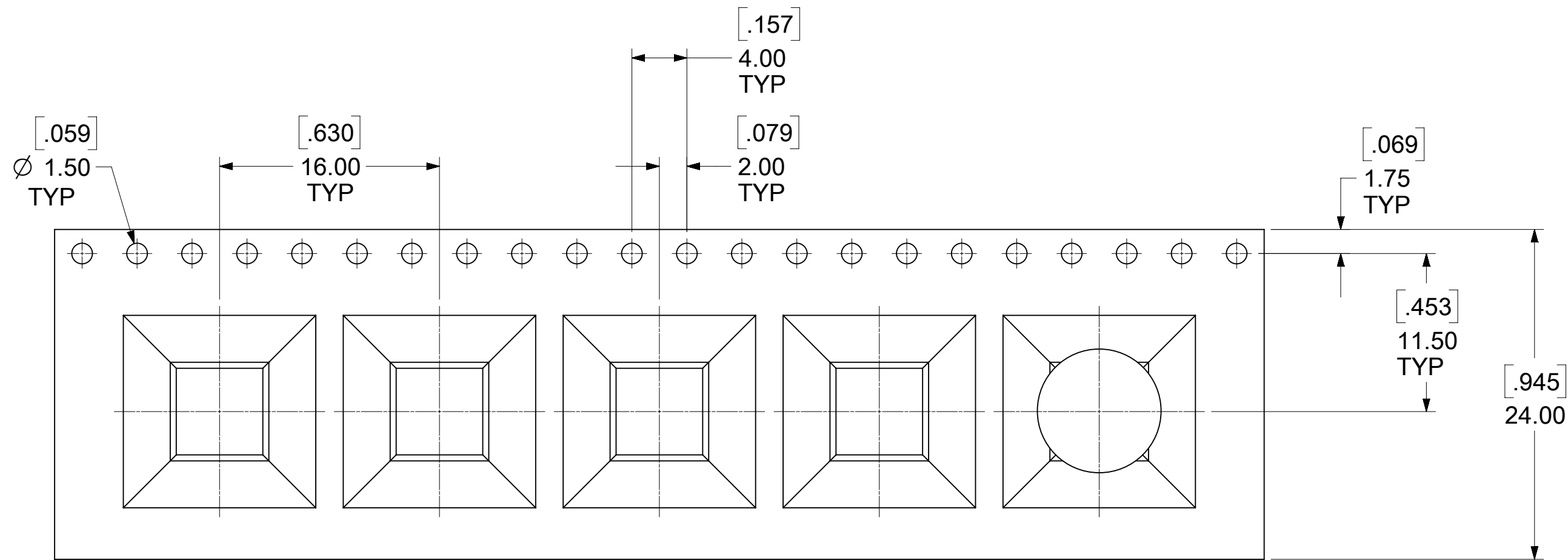
FUNCTIONAL SYMBOLS	THIS DRAWING CONTAINS INFORMATION THAT IS PROPRIETARY TO MOLEX ELECTRONIC TECHNOLOGIES, LLC AND SHOULD NOT BE USED WITHOUT WRITTEN PERMISSION		
FA = 0	DIMENSION UNITS	SCALE	CURRENT REV DESC: OBSOLETE PART NUMBER AS PER PCN#508506
EA = 0	HYBRID	NTS	
EP = 0	GENERAL TOLERANCES (UNLESS SPECIFIED)		
	ANGULAR TOL ± 2.0°		EC NO: 707205
	4 PLACES	±	2021/11/17
	3 PLACES	±	2022/06/07
	2 PLACES	±	2022/06/07
	1 PLACE	±	INITIAL REVISION:
	0 PLACES	±	DRWN: AROBERTSON 2010/04/15
	DRAFT WHERE APPLICABLE MUST REMAIN WITHIN DIMENSIONS		APPR: JWNIENER 2010/04/19
	THIRD ANGLE PROJECTION	DRAWING	SERIES
	THIRD ANGLE PROJECTION	C-SIZE	73420
		CUSTOMER	SHEET NUMBER
		GENERAL MARKET	1 OF 3

SMP-MAX PLUG SLIDE ON
 PCB VERTICAL SMT 50 OHM SMPMAX-P/PCB,
 EWR-4352

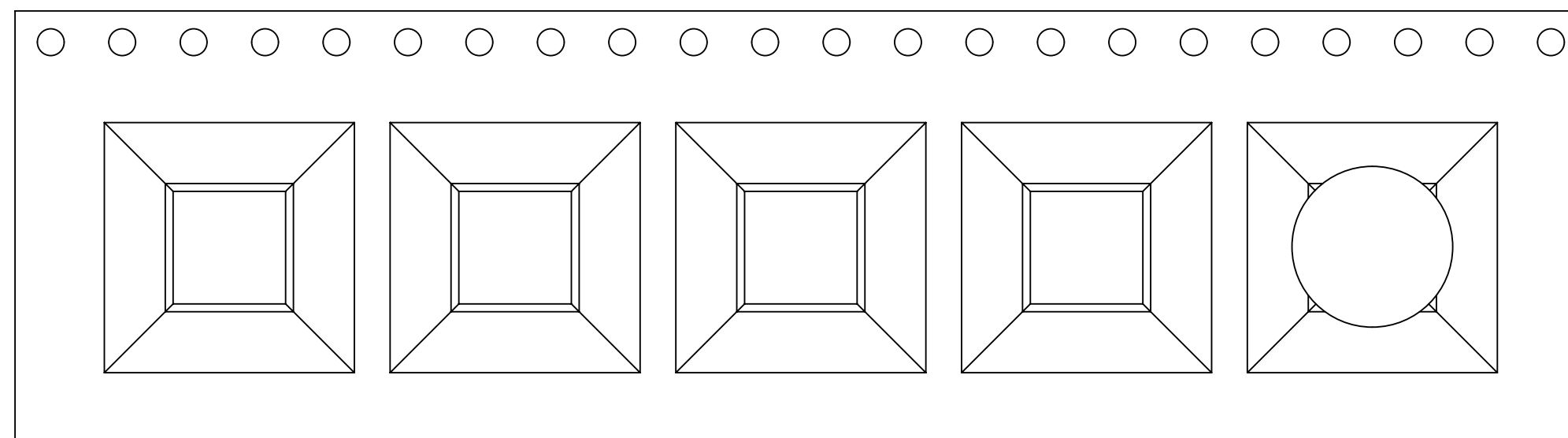
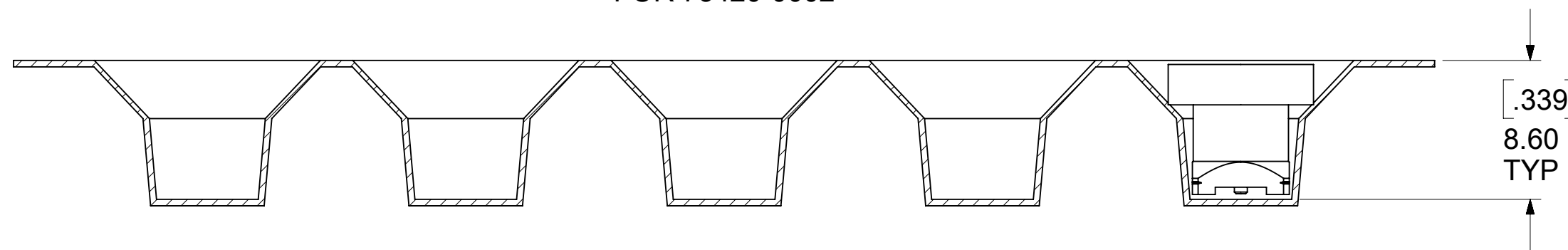
PRODUCT CUSTOMER DRAWING

DOCUMENT NUMBER: **SD-73420-000** DOC TYPE: PSD DOC PART: 001 REVISION: **C3**

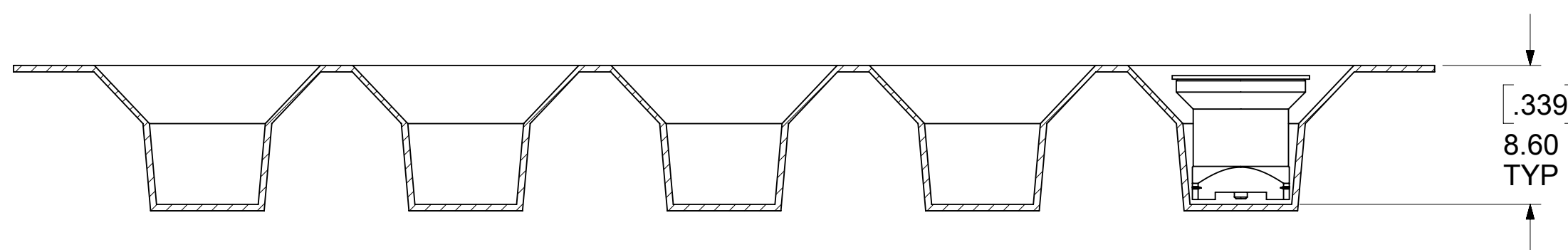
MATERIAL NUMBER: SEE TABLE CUSTOMER: GENERAL MARKET



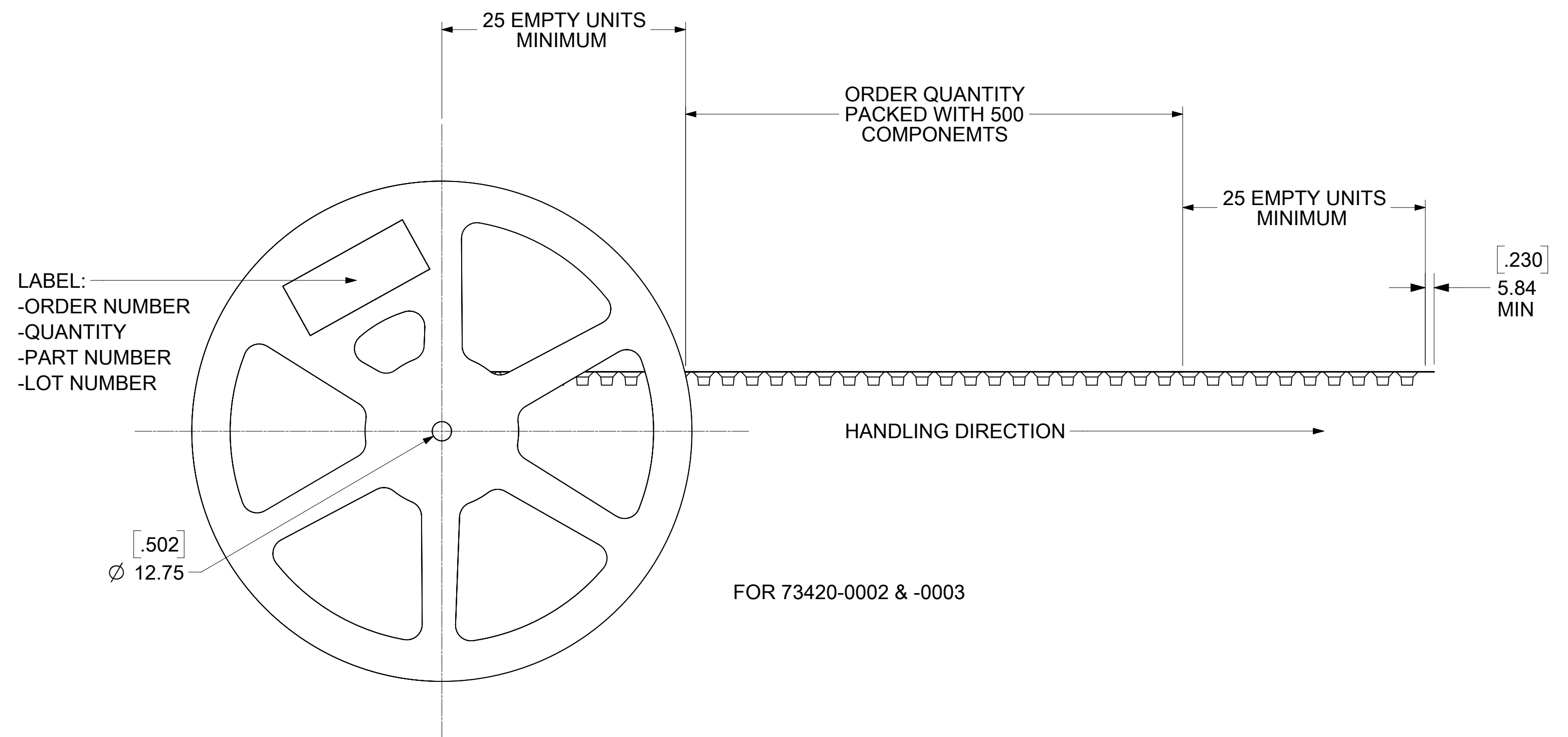
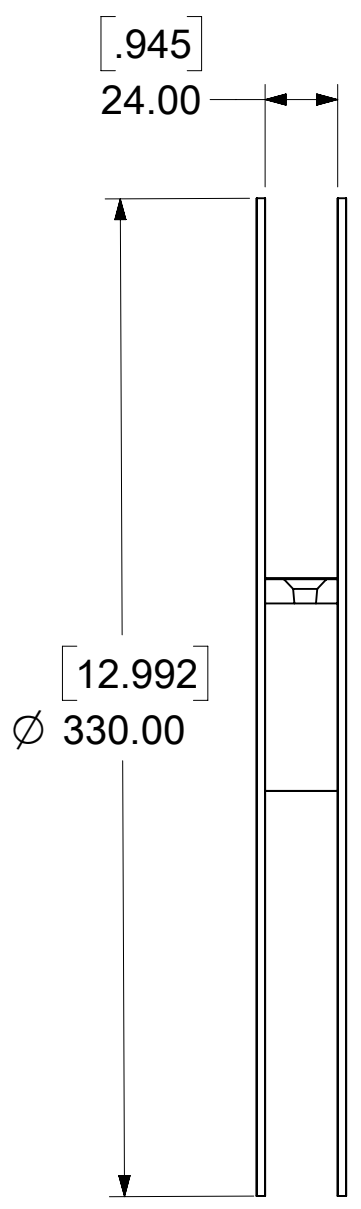
FOR 73420-0002



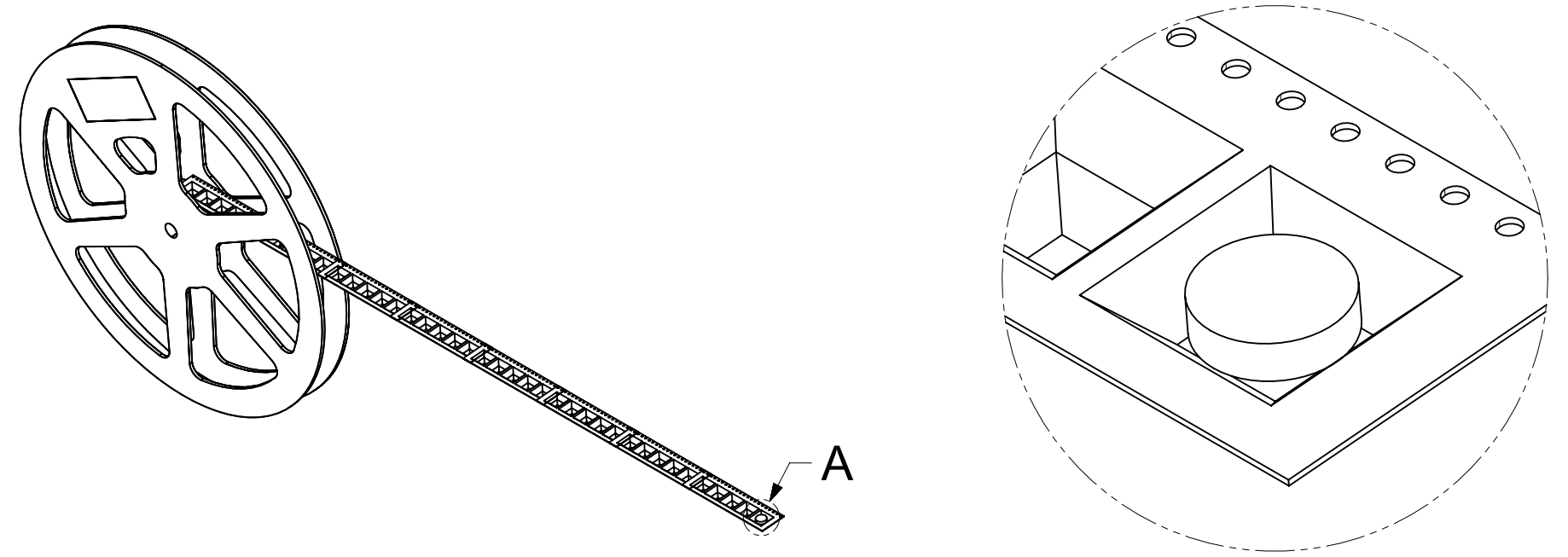
FOR 73420-0003



FUNCTIONAL SYMBOLS	THIS DRAWING CONTAINS INFORMATION THAT IS PROPRIETARY TO MOLEX ELECTRONIC TECHNOLOGIES, LLC AND SHOULD NOT BE USED WITHOUT WRITTEN PERMISSION											
	DIMENSION UNITS	SCALE	CURRENT REV DESC: OBSOLETE PART NUMBER AS PER PCN#508506									
$\frac{F}{A} = 0$	HYBRID	NTS	molex SMP-MAX PLUG SLIDE ON PCB VERTICAL SMT 50 OHM SMPMAX-P/PCB, EWR-4352									
$\frac{E}{C} = 0$	GENERAL TOLERANCES (UNLESS SPECIFIED)											
$\frac{E}{P} = 0$	ANGULAR TOL $\pm 2.0^\circ$		EC NO: 707205		2021/11/17		DOCUMENT NUMBER			DOC TYPE	DOC PART	REVISION
DIVISIONAL SYMBOLS	4 PLACES	\pm	DRWN: PKH		2022/06/07		SD-73420-000			PSD	001	C3
	3 PLACES	\pm	CHK'D: GGA		2022/06/07		PRODUCT CUSTOMER DRAWING					
	2 PLACES	\pm	APPR: GGA		2022/06/07		INITIAL REVISION:					
	1 PLACE	\pm	DRWN: AROBERTSON		2010/04/15		MATERIAL NUMBER			CUSTOMER		
0 PLACES	\pm	APPR: JWIENER		2010/04/19		SEE TABLE			GENERAL MARKET		SHEET NUMBER	
DRAFT WHERE APPLICABLE MUST REMAIN WITHIN DIMENSIONS		THIRD ANGLE PROJECTION		DRAWING	SERIES	MATERIAL NUMBER		CUSTOMER		SHEET NUMBER		
				C-SIZE	73420	SEE TABLE		GENERAL MARKET		2 OF 3		



FOR 73420-0002 & -0003



FUNCTIONAL SYMBOLS	THIS DRAWING CONTAINS INFORMATION THAT IS PROPRIETARY TO MOLEX ELECTRONIC TECHNOLOGIES, LLC AND SHOULD NOT BE USED WITHOUT WRITTEN PERMISSION									
	DIMENSION UNITS	SCALE	CURRENT REV DESC: OBSOLETE PART NUMBER AS PER PCN#508506							
$\nabla_A = 0$	HYBRID	NTS	EC NO: 707205 DRWN: PKH 2021/11/17 CHK'D: GGA 2022/06/07 APPR: GGA 2022/06/07 INITIAL REVISION: DRWN: AROBERTSON 2010/04/15 APPR: JWIENER 2010/04/19							
$\nabla_C = 0$	GENERAL TOLERANCES (UNLESS SPECIFIED)									
$\nabla_P = 0$	ANGULAR TOL ± 2.0°									
DIVISIONAL SYMBOLS	4 PLACES	±	PRODUCT CUSTOMER DRAWING DOCUMENT NUMBER: SD-73420-000 DOC TYPE: PSD DOC PART: 001 REVISION: C3 MATERIAL NUMBER: SEE TABLE CUSTOMER: GENERAL MARKET SHEET NUMBER: 3 OF 3							
	3 PLACES	±								
	2 PLACES	±								
	1 PLACE	±								
0 PLACES	±		DRAFT WHERE APPLICABLE MUST REMAIN WITHIN DIMENSIONS		THIRD ANGLE PROJECTION	DRAWING	SERIES	MATERIAL NUMBER		
						C-SIZE	73420	SEE TABLE	GENERAL MARKET	3 OF 3