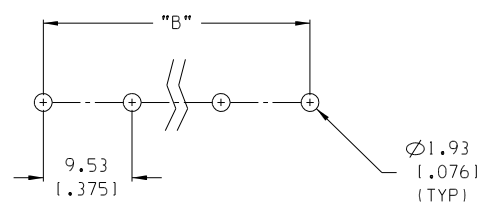
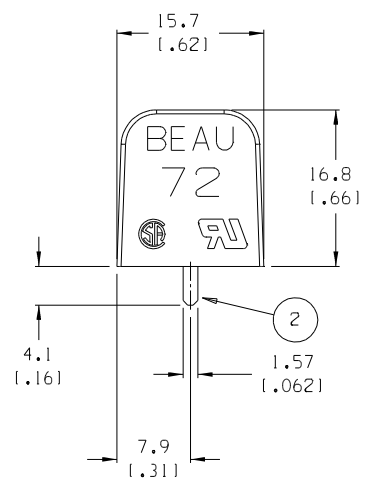
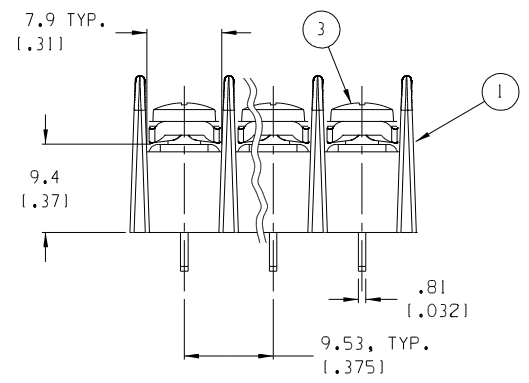
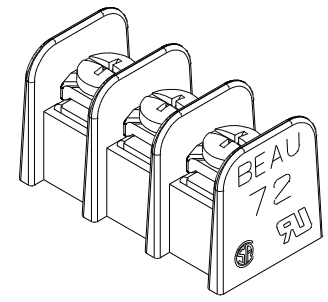
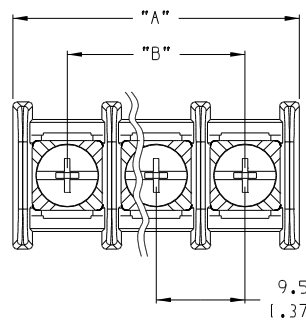


QTY. OF CIRC. "XX"	DIM. "B"		DIM. "A"		MATERIAL #
02	9.53	1.3751	21.1	1.831	
03	19.05	1.7501	30.7	11.211	387291616
04	28.58	11.1251	40.2	11.581	
05	38.10	11.5001	49.7	11.961	
06	47.63	11.8751	59.2	12.331	
07	57.15	12.2501	68.8	12.711	
08	66.68	12.6251	78.3	13.081	
09	76.20	13.0001	87.8	13.461	
10	85.73	13.3751	97.3	13.831	
11	95.25	13.7501	106.9	14.211	
12	104.78	14.1251	116.4	14.581	
13	114.30	14.5001	125.9	14.961	
14	123.83	14.8751	135.4	15.331	
15	133.35	15.2501	145.0	15.711	
16	142.88	15.6251	154.5	16.081	



- NOTES:
1. MATERIAL: SEE TABLE
  2. FINISHES: SEE TABLE
  3. PRODUCT SPECIFICATION: NOT REQUIRED
  4. PACKAGING: NOT REQUIRED
  5. MATES WITH: NONE
  6. "XX" REFERS TO QTY. OF CIRCUITS

ITEM	QTY.	DESCRIPTION	MATERIAL	FINISH
3	XX	SCREW W/WASHER, #6-32X.250, PANHD, PH-SL	STEEL	ZINC CLEAR CHROMATE
2	XX	TERMINAL, PC -16	BRASS	TIN PLATED
1	1	INSULATOR, SR, PC	THERMOPLASTIC	BLACK

EC NO. RELEASED DRAWN: RK CH:K APPR: A	DESCRIPTION MAJOR CRITICAL SPC S	GENERAL TOLERANCES: (UNLESS SPECIFIED)	SCALE 2:1	DESIGN UNITS <input type="checkbox"/> mm <input checked="" type="checkbox"/> INCH	THIRD ANGLE PROJECTION	DIMENSIONS: <input checked="" type="checkbox"/> mm <input type="checkbox"/> INCH <input type="checkbox"/> mm <input type="checkbox"/> ONLY	PROJECT NO. - SHT REV
		4 PLACES ±.0015 3 PLACES ±.038 ±.005 2 PLACES ±.13 ±.01 1 PLACE ±.3	DRAWN BY & DATE R. KEMP 9-20-05	CHECKED BY & DATE	TITLE: 9.53mm (.375") SR BTS, NO MTG, PC -16, ASSY	REVISE ON CAD ONLY	
		ANGULAR: ±2°	APPROVED BY & DATE	CAD FILENAME 725XX-C-16-50	MATERIAL NO. SEE TABLE	DRAWING NO. SD-38729-039	SHEET NO. 1 OF 1
		DRAFT WHERE APPLICABLE MUST REMAIN WITHIN DIMENSIONS	THIS DRAWING CONTAINS INFORMATION THAT IS PROPRIETARY TO MOLEX INCORPORATED AND SHOULD NOT BE USED WITHOUT WRITTEN PERMISSION.	MOLEX INCORPORATED	SIZE B		