

LC DUPLEX PC MULTIMODE ADAPTOR  
ZIRCONIA ALIGNMENT SLEEVE

Packaging  
100

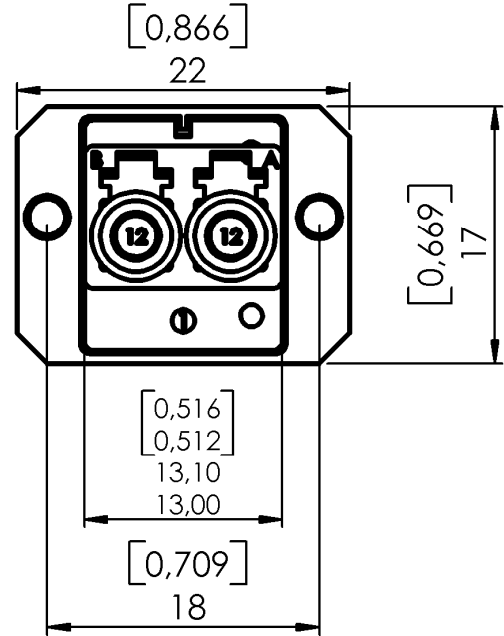
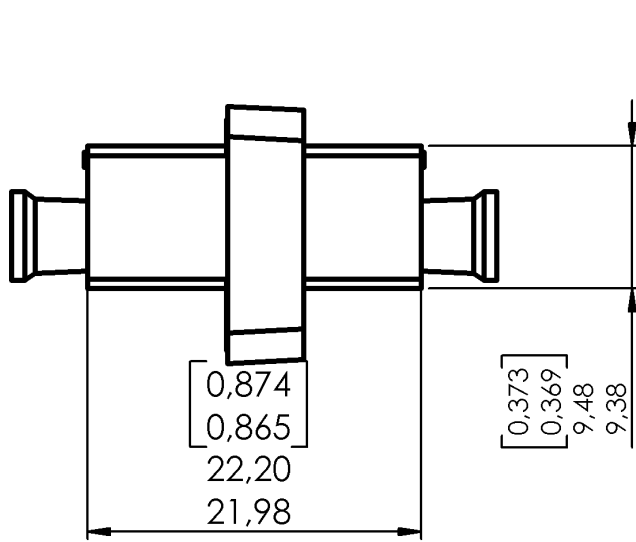
Series  
LC

Issue  
05/02/2011

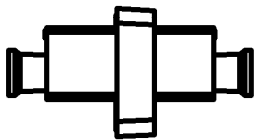
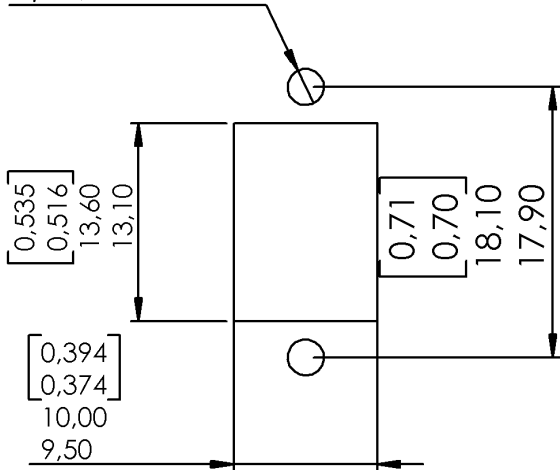
Page  
1 / 2

Adaptor : color AQUA

Duplex

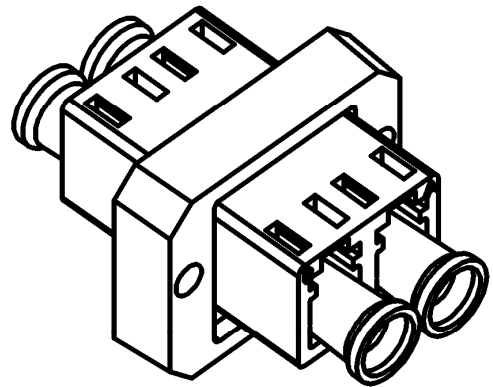


Ø2,40 or M2 PANEL PIERCING



Scale : 1/1

- Contents :
- Low profile duplex adaptor
  - Receptacle dust cap
  - Sleeve



Original dimensions in mm [inch]

LC DUPLEX PC MULTIMODE ADAPTOR  
ZIRCONIA ALIGNMENT SLEEVEPackaging  
100Series  
LCIssue  
05/02/2011Page  
2 / 2

Adaptor : color AQUA

Duplex

**GENERAL**

- TYPE** IEC 61754-20 (LC)  
RJ-45 latching system  
Receptacle color : AQUA
- MOUNTING** Snap-in mounting  
Max. panel thickness 1.7 mm
- ALIGNMENT SLEEVE** Zirconia

**CHARACTERISTICS (Depending on fibre or cable construction)**

- MATERIAL** Plastic molded : Material in accordance with TELCORDIA GR-326 CORE  
Inflammability V0 (UL 94)
- MECHANICAL** Durability 200 cycles  
Plug Retention 68 N
- ENVIRONMENTAL** Storage temperature range -40 °C to +85 °C  
Operating temperature range -40 °C to +70 °C
- PROOF TEST** Straight pull 68 N  
Side pull 23 N
- VIBRATION TEST** 10 to 55 Hz, 1,5 mm (peak to peak), 2 Hr/axis

*(Performance and specification : see document GEN - F727 001)*