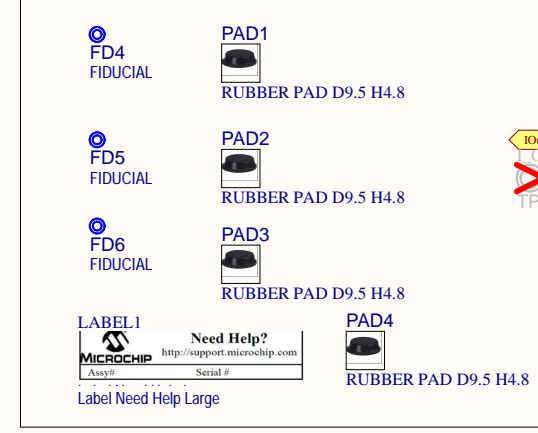
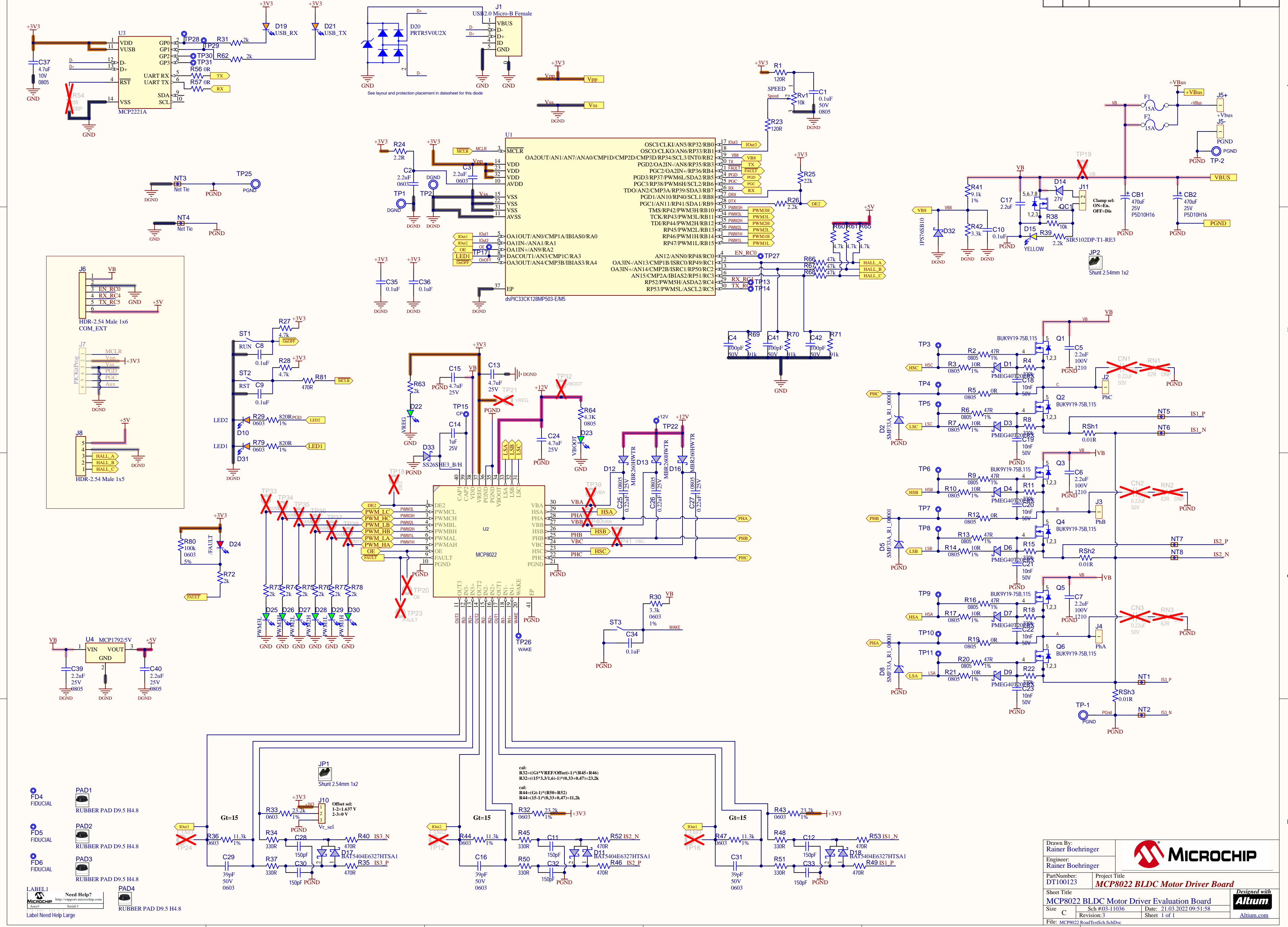


REV	ECO#	DESCRIPTION	DATE



Drawn By: Rainer Boehringer
 Engineer: Rainer Boehringer
 Part Number: DT100123
 Project Title: MCP8022 BLDC Motor Driver Board
 Sheet Title: MCP8022 BLDC Motor Driver Evaluation Board
 Size: C
 Revision: 3
 Date: 21.03.2022 09:51:58
 Sheet 1 of 1
 File: MCP8022_Rev3_Sch_SchDoc

Designed with
Altium
 Altium.com