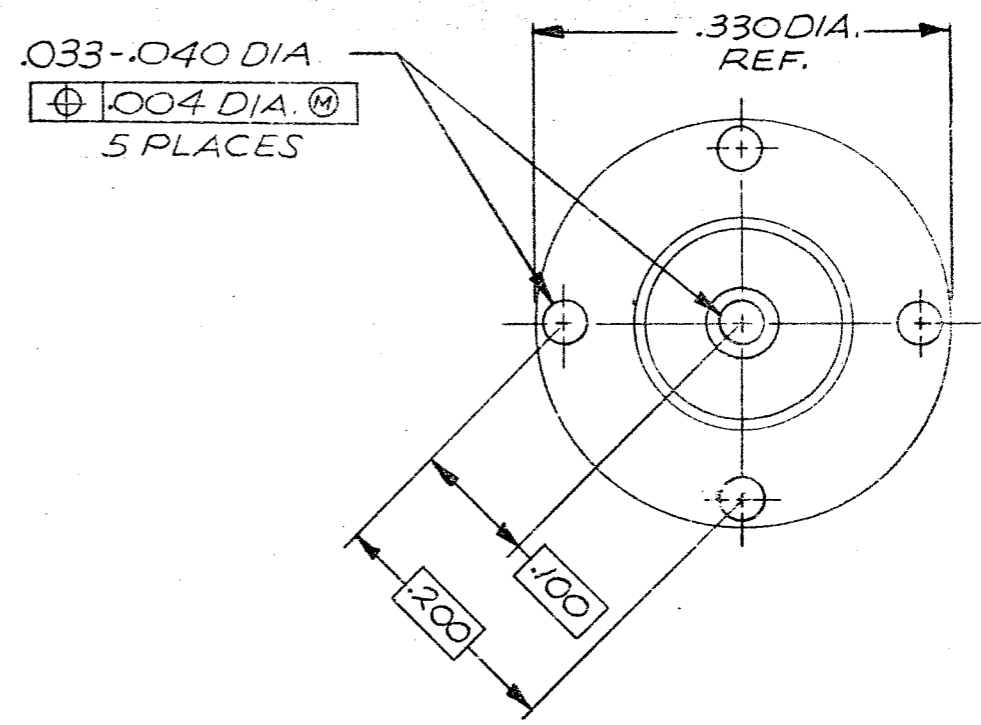
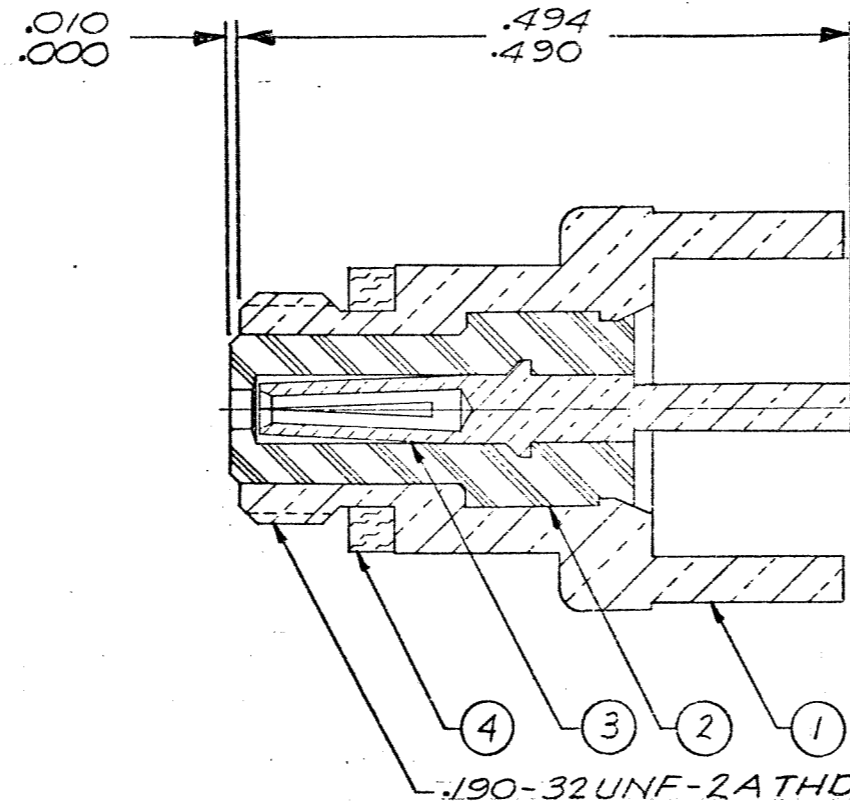


REVISIONS					
ZONE	LTR	ECN	DESCRIPTION	DATE	APPROVED
	D	26380	REVISED AND REDRAWN. (S) ORIG. RELEASE 3-3-70 BY RAM & VM.	2/26/82	lys
	E	41073	003-0268-0000 WAS 003-0011-0001. DEL "MAT'L AND SPEC."	8/20/01	Acc
	E1A1125		REV. CUST. SPEC	9/24/01	Acc

F Combine M & CD Dwg



NOTES:

- THIS CONNECTOR MATES WITH ALL 50 SERIES SCREW-ON PLUGS AS LISTED IN MALCO CATALOG.

Tyco Customer Drawing 9-1532137-0

QTY REQD	CODE IDENT	PART OR IDENTIFYING NO.	DESCRIPTION	MAT'L AND SPEC.	ITEM NO.
1		003-0268-0000	GASKET		4
1		003-1334-0003	CONTACT, SOCKET		3
1		003-1332-0001	INSULATOR		2
1		003-1327-0001	HOUSING		1

UNLESS OTHERWISE SPECIFIED DIMENSIONS ARE IN INCHES TOLERANCES ARE:		CONTRACT NO.		MALCO A MICRODOT COMPANY, INC. 220 PASADENA AVE., SO. PASADENA, CALIF. 91039	
FRACTIONS ±	DECIMALS .XX ±	ANGLES ±	APPROVALS	DATE	PROD. CODE
	.XXX ±		DRAWN <i>Coriel Brown</i>	2-3-82	934
MATERIAL			CHECKED <i>Q Hsu</i>	2/19/82	CODE
NOTED			PR. ENG. <i>lys</i>	2/4/82	M
FINISH			APPD.		
NEXT ASSY	USED ON	SIZE	CODE IDENT NO.	DRAWING NO.	
		B	98278	051-0607-0001	
APPLICATION		DO NOT SCALE DRAWING		SCALE	SHEET / OF /

D

C

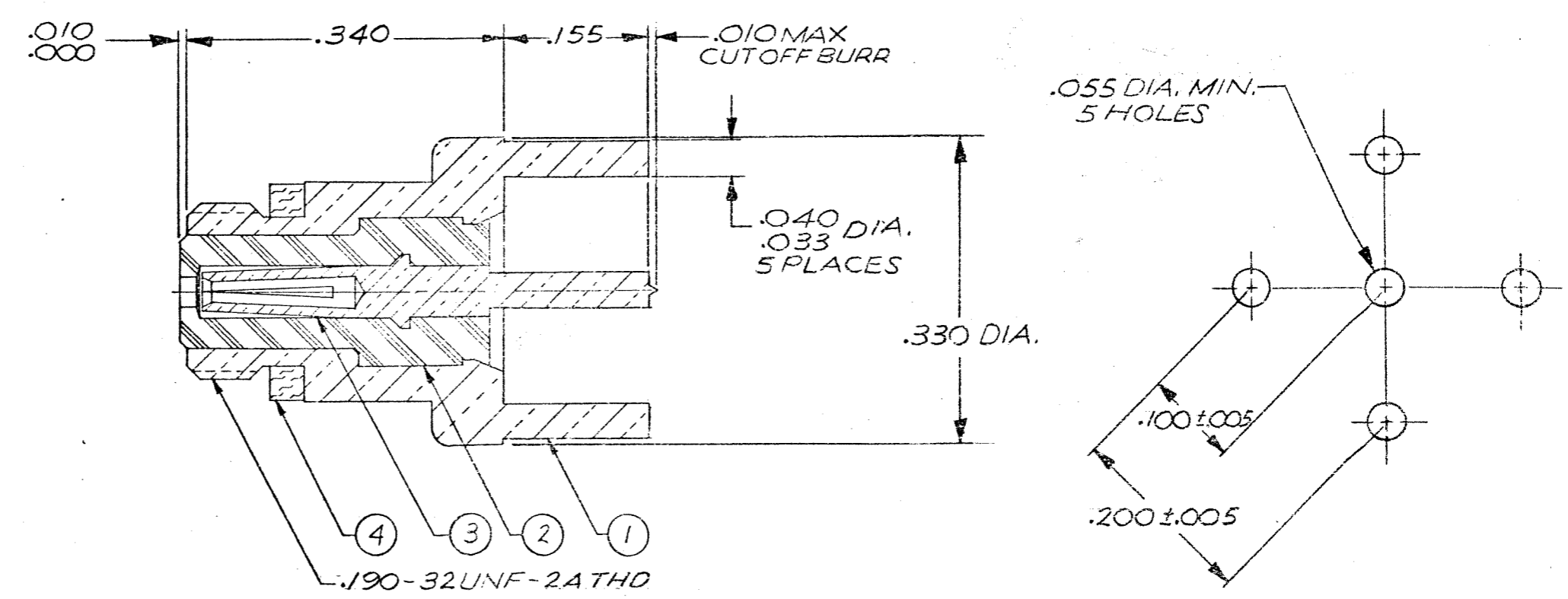
B

A

REVISIONS					
ZONE	LTR	ECN	DESCRIPTION	DATE	APPROVED
	D	26380	REVISED FREDRAWN ORIG. RELEASE 3-3-70 BY RAMEVAN	2/26/82	MS
	E	41073	003-0268-0000 WAS 003-0011-0001. DEL "MATL AND SPEC	8/20/01	AW
	E1	41125	REV. CUST SPEC	7/24/01	AW

F Combine M & CD Dwg

D
C
B
A



MOUNTING PATTERN
Tyco Customer Drawing 9-1532137-0

NOTES: UNLESS OTHERWISE SPECIFIED.

1. THIS CONNECTOR MATES WITH ALL 50 SERIES SCREW-ON PLUGS AS LISTED IN MALCO CATALOG.
2. SILVER PLATE .0002 MIN. PER QQ-S-365, TYPE II, GRADE A
3. GOLD PLATE PER MIL-G-45204, TYPE II, GRADE C, CLASS II.

QTY REQD	CODE IDENT	PART OR IDENTIFYING NO.	DESCRIPTION	MAT'L AND SPEC.	ITEM NO.
1		003-0268-0000	GASKET		4
1		003-1334-0003	CONTACT SOCKET		3
1		003-1332-0001	INSULATOR		2
1		003-1327-0001	HOUSING		1

UNLESS OTHERWISE SPECIFIED DIMENSIONS ARE IN INCHES TOLERANCES ARE: FRACTIONS ± .XX ± .XXX ± .010 DECIMALS ± .XX ± .XXX ± .010 ANGLES ± °		CONTRACT NO.		MALCO A MICRODOT COMPANY, INC. 220 PASADENA AVE., SO. PASADENA, CALIF. 91030	PROD. CODE 937 CODE CD
MATERIAL NOTED		APPROVALS DRAWN: <i>W. Brown</i> 2-3-82 CHECKED: <i>E. Hsu</i> 2/19/82 PR. ENG.: <i>MS</i> 2/25/82 APPD.			
FINISH NOTED		These drawings and specifications are the property of Microdot, Inc. and issued in strict confidence and shall not be divulged, reproduced or copied or used as the basis for the manufacture or sale of any article without written permission of Microdot, Inc.		SIZE B	CODE IDENT NO. 98278
NEXT ASSY		DRAWING NO. 051-0607-0001		SCALE	
USED ON		SHEET / OF /		DO NOT SCALE DRAWING	
APPLICATION					