

PRODUCT NUMBER
87690-YXXRLF

- RoHS COMPATIBLE, SEE NOTE 6
- OPTION, NOTE 4.
- PIN STYLE, SHEET 2.

PLATING

- 1 = 0.76µm FULL GOLD/GXT, OVER 1.27µm Ni MIN
- 3 = 3.81µm FULL TIN/LEAD OVER 1.27µm Ni MIN.
WHEN "LF" IS REQUIRED, 2µm MATTE TIN OVER
1.27µm MIN NICKEL IS PROVIDED INSTEAD OF TIN-LEAD
- 7 = FULL GOLD FLASH, OVER 1.27µm Ni MIN
- 8 = 0.38µm FULL GOLD/GXT, OVER 1.27µm Ni MIN

NOTES:

1. HOUSING MAT'L : HIGH TEMPERATURE THERMOPLASTIC. UL94V-0 COLOR: BLACK.
2. PIN MATERIAL : PHOSPHOR BRONZE.
3. 12N MIN RETENTION IN EITHER DIRECTION.
4. FOR RETENTION FEATURE DETAILS, SEE SHEET 3. OMIT IF FEATURE NOT APPLICABLE
5. STANDARD PACKAGING IN POLYBAGS.
6. RoHS COMPATIBLE PRODUCT SPECIFICATIONS

a - PLATING:

- "LF" MEANS THE PRODUCT IS LEAD-FREE, 2µm MINIMUM MATTE TIN OVER 1.27µm MINIMUM NICKEL UNDERPLATE.

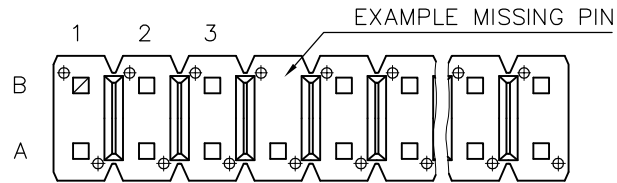
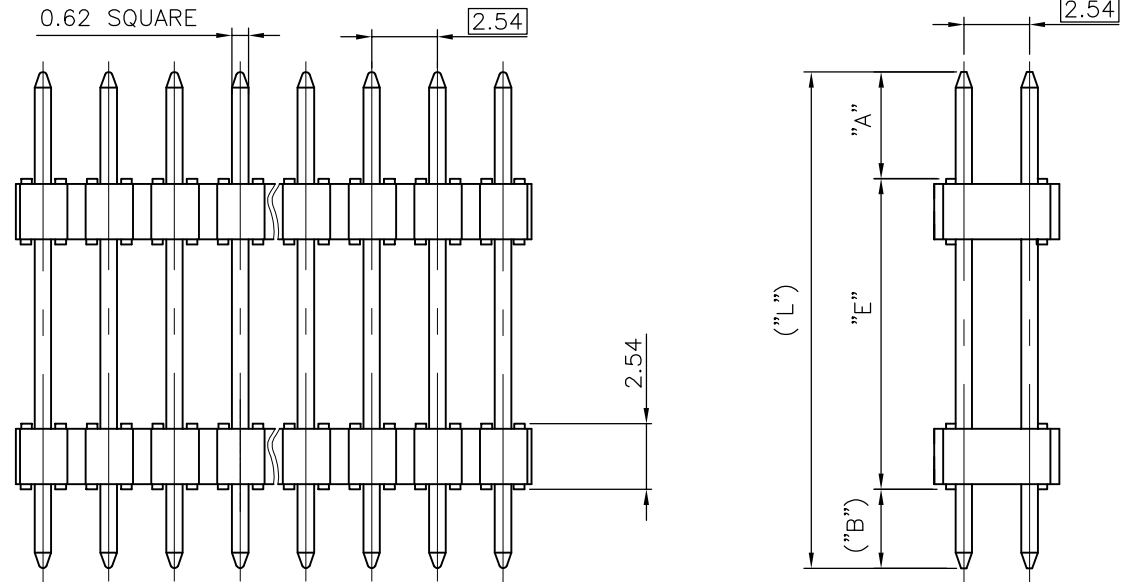
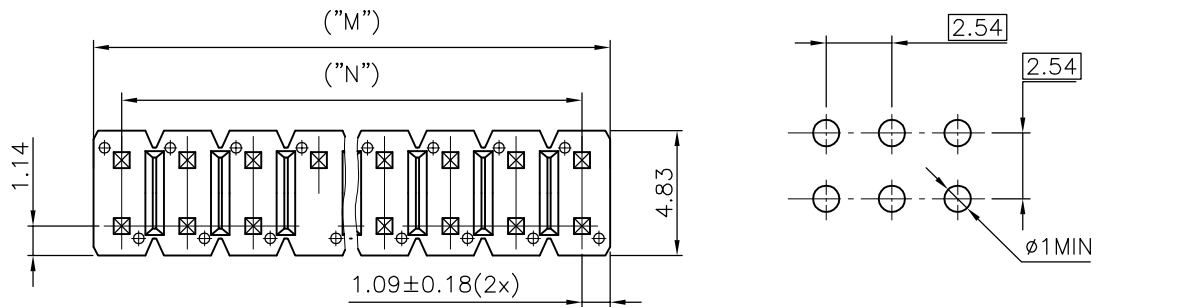
b - MANUFACTURING PROCESS COMPATIBILITY

- THE HOUSING WILL WITHSTAND EXPOSURE TO 260°C ±5°C SOLDER BATH TEMPERATURE FOR 5 SECONDS IN A WAVE SOLDER APPLICATION WITH A 1.6mm MIN THICK CIRCUIT BOARD.

c - LABELING:

- MEETS PACKAGING SPECS AS PER GS-14-920

d - LEGAL STATEMENT: SEE GS-47-0004



BOTTOM VIEW

mat'l. code SEE NOTES		surface ISO 1302	tolerance ISO 406 ISO 1101	projection mm	product family BSTIK
ltr ecn no dr date		tolerances unless otherwise specified		mm	title HEADER STR,DR DOUBLE BODY POL
V	F12-0043	LMU	12.05.02		
W	B-19782	AMA	14.12.18	.x ±0.3	sheet 1 of 3 size A3
X	B-21151	AMA	15.06.15	.xx ±0.15	
Y	F-22417	JJU	15.11.05	xxx ±0.05	dwg no 87690
AA	F23090	JCO	16.01.20	dr O. MATHEVON 96.06.07	
U	F06-0196	LMU	06.06.20	engr COMPAGNON J 96.06.07	
sheet	revision	AA	W	G	
index	sheet	1	2	3	

PRODUCT NUMBER	PRODUCT DIMENSIONS							VIEW OF MISSING PINS POSITION FROM BOTTOM VIEW						
	NBR POS	"A" ±0.2	"E" ±0.25	"B" ±0.25	("L") REF	("M") REF	("N") REF	1	5	10	15	20	25	30
87690-X07	2x10	11.96	18.5	3.2	33.66	25.4	22.86							
87690-X10	2x10	11.96	18.5	3.2	33.66	25.4	22.86							
87690-X15	2x07	11.96	18.5	3.2	33.66	17.78	15.24							
87690-X18	2x09	4.95	6.00	4.95	15.90	22.86	20.82							
87690-X19	2x09	8.60	6.00	8.60	23.20	22.86	20.82							
87690-X20	2x10	6.00	14.70	3.30	24.00	25.4	22.86							
87690-X21	2x19	6.00	14.70	3.30	24.00	48.26	45.72							
87690-X22	2x13	10.50	7.75	10.50	28.80	33.02	30.48							
87690-X23	2x14	8.60	6.00	8.60	23.20	35.56	33.02							
87690-X24	2x14	8.95	6.00	8.95	23.9	35.56	33.02							



FCIconnect.com

Copyright FCI

mat'l. code		surface		tolerance		projection		product family	
		ISO 1302		ISO 406 ISO 1101				BSTIK	
ltr	ecn no	dr	date	tolerances unless otherwise specified		mm		title	
V	F-22417	JJU	15.11.05	linear		mm		HEADER STR,DR	
W	F-23090	JCO	16.01.20			scale N/A		DOUBLE BODY POL	
R	F06-0196	LMU	06.06.20	dr	O. MATHEVON	96.06.07	dwg no		sheet 2 of - size
S	F12-0043	LMU	12.05.02	enr	JMC	96.06.07	87690		A3
T	B-19776	AMA	14.12.18	chr	JMC	96.06.07	type		CUSTOMER Drawing
U	B-21151	AMA	15.06.15	appd	JMC	96.06.07			
sheet	revision								
index	sheet								

1

2 3

4

5

6

A

B

C

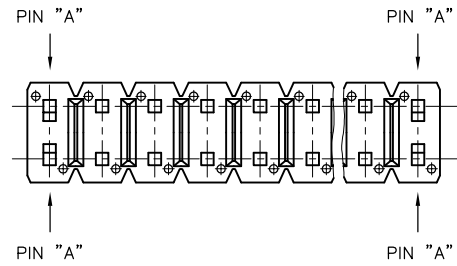
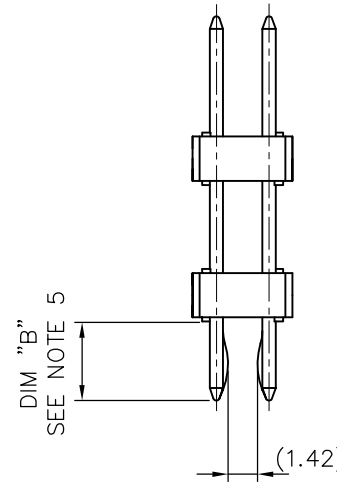
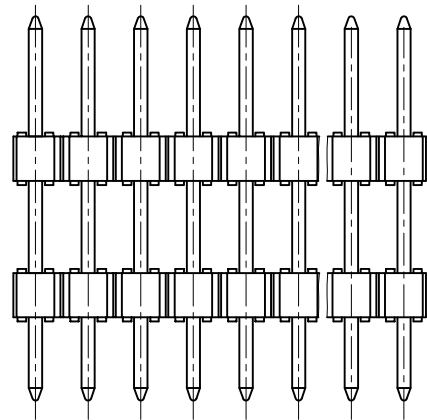
D

A

B

C

D



- NOTES:
- 1 - PART NUMBER 87690-YXX
 - 2 - PINS "A" USED FOR RETENTION.
 - 3 - DIRECTION OF RETENTION SHOWN BY ARROWS.
 - 4 - KINKED LEGS LOCATION CAN BE MOVED IF A PIN IS MISSING.
 - 5 - RETENTION VERSION ONLY AVAILABLE WHEN DIM "B" IS BETWEEN 2.9 mm AND 3.5 mm.
 - 6 - 2 AND 3 POSN KINKED HEADER ARE NOT AVAILABLE.
- "R" INDICATES A RETENTION HEADER.



FCIconnect.com

Copyright FCI

mat'l. code		surface		tolerance		projection		product family	
		ISO 1302		ISO 406 ISO 1101				BSTIK	
ltr	ecn no	dr	date	tolerances unless otherwise specified		mm		title	
A	F60421	OMA	96.06.07	angles		linear		HEADER STR,DR	
B	70102	JMC	97.01.10					DOUBLE BODY POL	
C	F70179	JMC	97.03.28			scale N/A		dwg no	
D	F70815	OMA	97.12.23	dr	O. MATHEVON	96.06.07		sheet 3 of - size	
E	F80321	JMC	98.05.04	enr	JMC	96.06.07		87690 A3	
F	F05-0291	JCO	05.11.14	chr	JMC	96.06.07		type CUSTOMER Drawing	
G	F06-0196	LMU	06.06.20	appd	JMC	96.06.07			
sheet index		revision sheet							