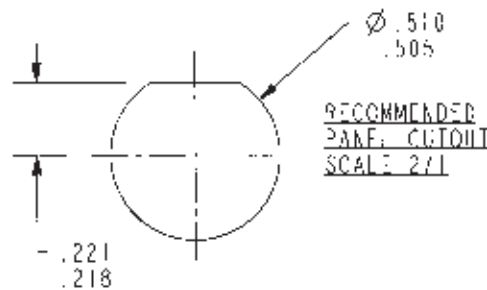
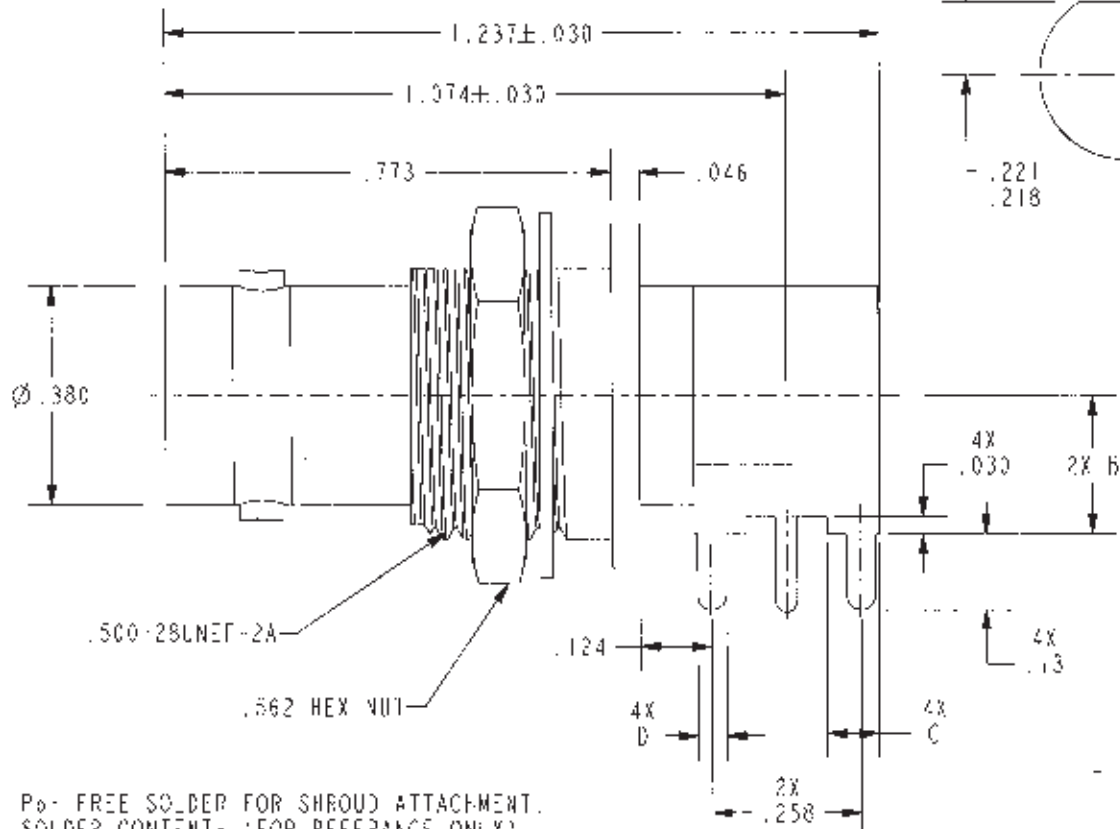


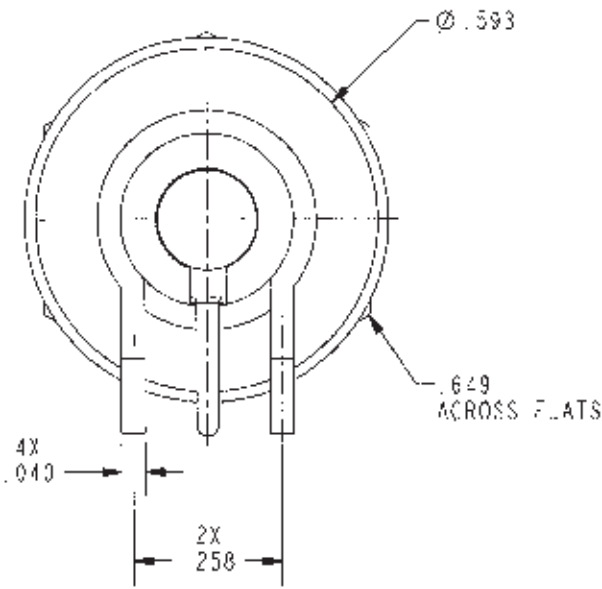
DASH NUMBER	MODEL NUMBER	IMPEDANCE $\Omega$	A DIA	B DIM	C DIM	D DIM	E DIA
-	C3BJR29	50	.046	.24	.090	.050	.0625
-2	UC3BJR29	75	.029				
3	C3BJR29A	50	.046	.34	.090	.058	.070
4	UC3BJR29A	75	.029				

DATA CONTAINED IN THIS DOCUMENT IS PROPRIETARY TO TROMPETER ELECTRONICS INC. AND SHALL NOT BE REPRODUCED, COPIED OR USED FOR PROCESSING OR MANUFACTURE WITHOUT EXPRESS WRITTEN PERMISSION OF TROMPETER ELECTRONICS INC.

REVISIONS			
REV	DESCRIPTIONS	DATE	APPROVED
A	REV SLD PER ECO 16625	7-18-08	Dramos



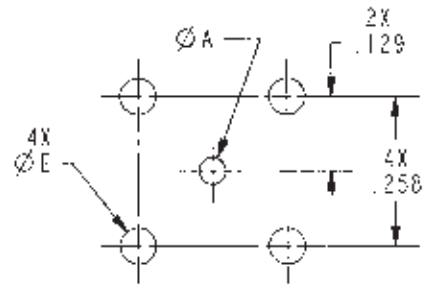
SCALE 1/1



AS SHOWN

RED INDICATES ORIGINAL

5. Pb-FREE SOLDER FOR SHROUD ATTACHMENT. SOLDER CONTENT- (FOR REFERENCE ONLY) (Sn = 96.5%, Ag = 3.0%, Cu = 0.5%)
4. MAXIMUM PANEL THICKNESS .79
3. EXAMPLE OF COMPLETE PART NUMBER:  
6-000-1  
BASIC PART NUMBER      DASH NUMBER
2. FINISH: TFS-172 (LEAD FREE TFM)
1. RoHS 6 COMPLIANT 50 & 75  $\Omega$  RIGHT ANGLE CIRCUIT BOARD AND BULKHEAD MOUNTING BNC RECEPTACLE



RECOMMENDED MIG HOLE PATTERN SCALE 3/1

NOTES: UNLESS OTHERWISE SPECIFIED.

INTERPRET DRAWING PER MIL-STD-100. DIMENSIONS ARE IN INCHES AND INCLUDE FINISH THICKNESS UNLESS OTHERWISE SPECIFIED.		FOL. UNLESS SPECIFIED: .XX ± .02 .XXX ± .010 ANGLE ± 1°		
DWG NO. 6-0001	DATE 6-23-08	MATERIAL	TITLE RoHS 6 COMPLIANT J/C3BJR29/A TYPE CONNECTOR ASSEMBLY	
APPROVED	PROB FILE NO. 6-0001	FINISH:	SIZE: 6-0001	DRWG NO. 6-0001
NEXT ASSY	DO NOT SCALE DWG	SCALE 3/1	DATE 1-13-06	SHEET 1C