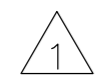
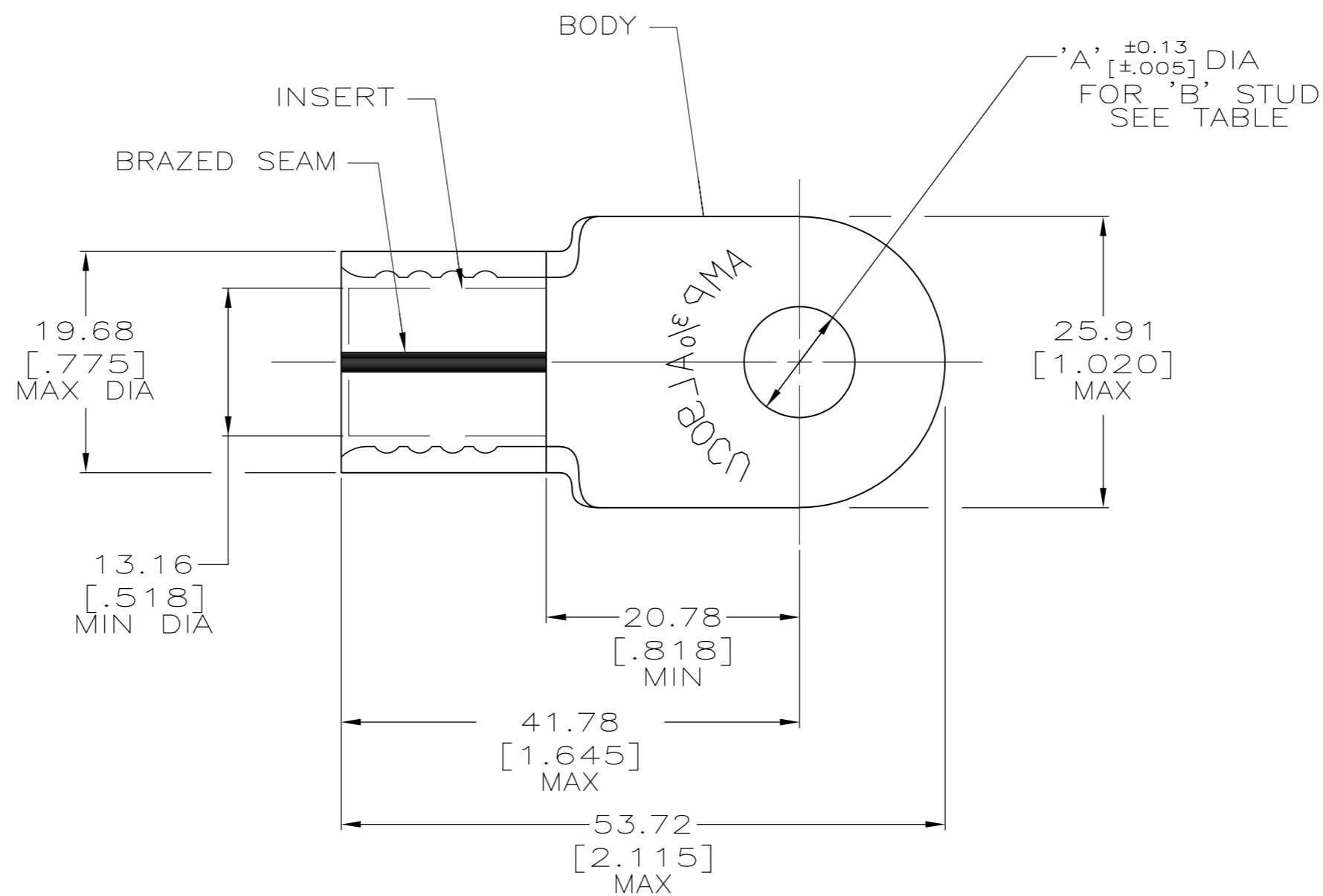


THIS DRAWING IS UNPUBLISHED. RELEASED FOR PUBLICATION
 © COPYRIGHT - By - ALL RIGHTS RESERVED.

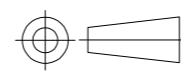
LOC		DIST		REVISIONS			
P	LTR	DESCRIPTION		DATE	DWN	APVD	
	J	REV PER ECO 13-016525		12-9-13	CT	JW	

- 1  STAMP AMP 3/0 AL90CU APPROX AS SHOWN
- 2 TONGUE MATERIAL THK: 2.31^{±0.10} [.091^{±.004}]



.515	1/2	BODY: COPPER PER ASTM B-152 TIN PL 0.00254[.000100] MIN THK PER MIL-T-10727	51992-3
.453	7/16		51992-2
.390	3/8	INSERT: BRASS PER MIL-C-50 TIN PL 0.00076[.000030] MIN EXT THK PER MIL-T-10727	51992-1
.328	5/16		51992
'A'	'B'	MATERIAL & FINISH	PART NO

AMP INCORPORATED CUSTOMER SERVICE SYSTEMS		MAX RECOMMENDED OPERATING TEMPERATURE: 150° C MAX
FOR ADDITIONAL PRODUCT INFORMATION OR COPIES OF DRAWINGS AND TECHNICAL DOCUMENTS	PRODUCT INFORMATION CENTER 1-800-522-6752	VOLTAGE RATING: NOT APPLICABLE
FOR APPLICATION TOOLING INFORMATION	TOOLING ASSISTANCE CENTER 1-800-722-1111	CIRCULAR MIL AREA: 76.3-96.3mm ² [150,500-190,000] CIR MILS SOLID OR STRANDED
FOR ORDER ENTRY	1-800-526-5142	THIS DRAWING IS A CONTROLLED DOCUMENT FOR AMP INCORPORATED. IT IS SUBJECT TO CHANGE AND THE CONTROLLING ENGINEERING ORGANIZATION SHOULD BE CONTACTED FOR THE LATEST REVISION.

DIMENSIONS: INCHES		TOLERANCES UNLESS OTHERWISE SPECIFIED:	DWN DK SCHRUM 8/3/93	CHK AJ KAUFMAN 8/9/93	TE Connectivity	
		0 PLC ± - 1 PLC ± - 2 PLC ± 0.20[.008] 3 PLC ± - 4 PLC ± - ANGLES ± -	APVD -	PRODUCT SPEC -	NAME TERMINAL, RING TONGUE, COPALUM TM	
MATERIAL SEE TABLE	FINISH SEE TABLE	WEIGHT -	SCALE A2	CAGE CODE 00779	DRAWING NO C-51992	RESTRICTED TO -
CUSTOMER DRAWING			SCALE 2:1	SHEET 1 of 1	REV J	