

10 9 8 7 6 5 4 3 2 1

F

E

D

C

B

A

F

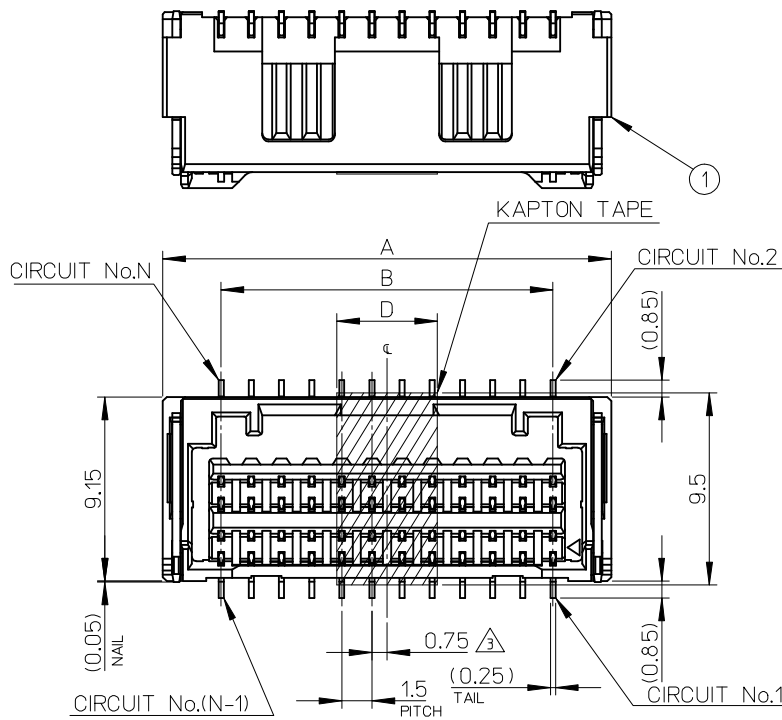
E

D

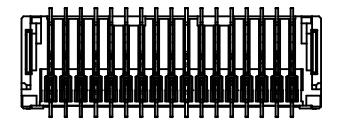
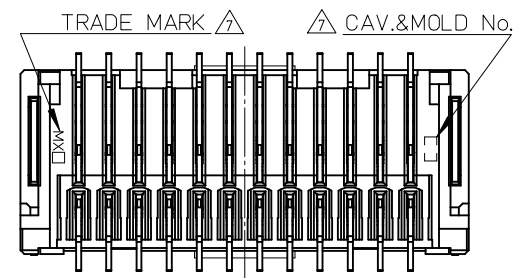
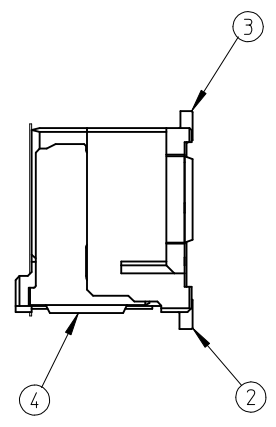
C

B

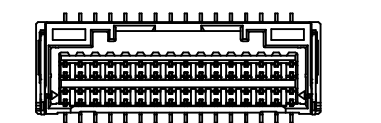
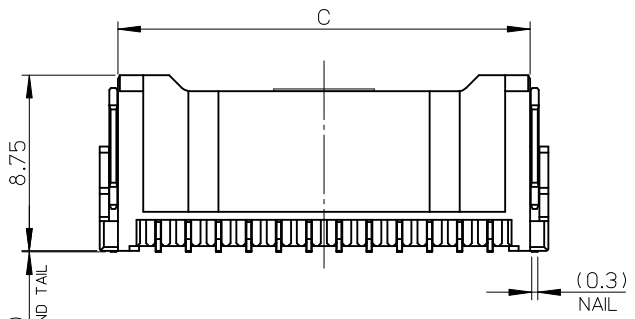
A



8,10極ハウジング形状
(HOUSING FORM OF 8,10CKT)
SCALE 2:1



34極ハウジング形状
(HOUSING FORM OF 34CKT)
SCALE 2:1



30,32,34極ハウジング形状
(HOUSING FORM OF 30,32,34CKT)
SCALE 2:1

505406346*	5	28.0	24.0	29.8	34
505406326*	5	26.5	22.5	28.3	32
505406306*	5	25.0	21.0	26.8	30
505406286*	4	23.5	19.5	25.3	28
505406266*	4	22.0	18.0	23.8	26
505406246*	4	20.5	16.5	22.3	24
505406226*	4	19.0	15.0	20.8	22
505406206*	4	17.5	13.5	19.3	20
505406186*	4	16.0	12.0	17.8	18
505406166*	4	14.5	10.5	16.3	16
505406146*	4	13.0	9.0	14.8	14
505406126*	3	11.5	7.5	13.3	12
505406106*	3	10	6.0	11.8	10
505406086*	3	8.5	4.5	10.3	8
EMBOSSED TAPE PACKAGE		D	C	B	A
オーダー番号 ORDER No.					CIRCUIT

No.	PART	MATERIAL
①	HOUSING	耐熱性樹脂 UL94V-0 HEATPROOF RESIN UL94V-0
②	TERMINAL A	銅合金 COPPER ALLOY
		コンタクト部 金メッキ : 0.2 micro-meter MIN. CONTACT POS. GOLD
③	TERMINAL B	テール部 錫メッキ : 1.0 micro-meter MIN. TAIL POS. TIN
		ニッケルメッキ (下地) : 1.0 micro-meter MIN. NICKEL (UNDER PLATING)
④	NAIL	銅合金 COPPER ALLOY
		錫メッキ : 1.0 micro-meter MIN. TIN
		ニッケルメッキ (下地) : 1.0 micro-meter MIN. NICKEL (UNDER PLATING)

RELEASED
EC NO: J2015-0528
DRWNTAKAIKE 2014/10/23
CHKD:KASAKAWA 2015/02/16
APPR:NUKITA 2015/02/16

GENERAL TOLERANCES (UNLESS SPECIFIED)		DIMENSION STYLE		SCALE	DESIGN UNITS	THIRD ANGLE PROJECTION
0.25 UNDER	±0.03	MM ONLY		4:1	METRIC	◎
0.25 OVER 0.5 UNDER	±0.05	DRAWN BY DATE		TITLE		
0.5 OVER 1.0 UNDER	±0.1	TAKAIKE 2014/10/23		1.5 W/B CONN. DUAL ST REC. ASSY		
1.0 OVER 10 UNDER	±0.2	CHECKED BY DATE		molex		
10 OVER 30 UNDER	±0.25	KASAKAWA 2015/02/16		SD-505406-001		
30 OVER	±0.3	APPROVED BY DATE		SHEET NO.		
ANGULAR ±1 °		NUKITA 2015/02/16		1 OF 3		
DRAFT WHERE APPLICABLE MUST REMAIN WITHIN DIMENSIONS		MATERIAL NO.		DOCUMENT NO.		
		SEE SHEET 3		THIS DRAWING CONTAINS INFORMATION THAT IS PROPRIETARY TO MOLEX INCORPORATED AND SHOULD NOT BE USED WITHOUT WRITTEN PERMISSION		

9 8 7 6 5 4 3 2 1

NOTES

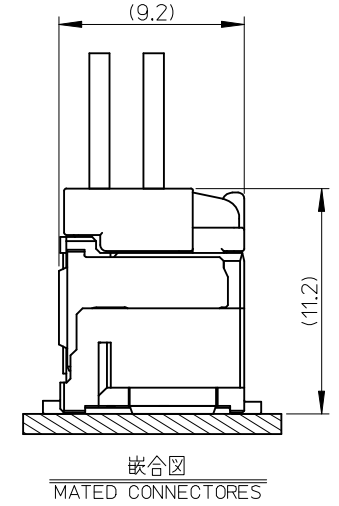
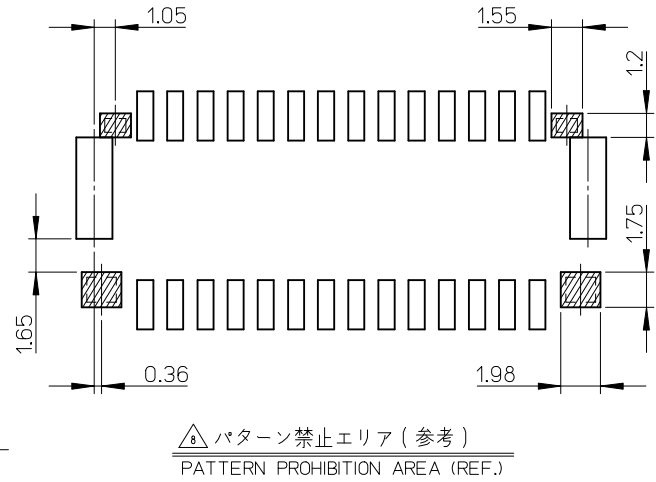
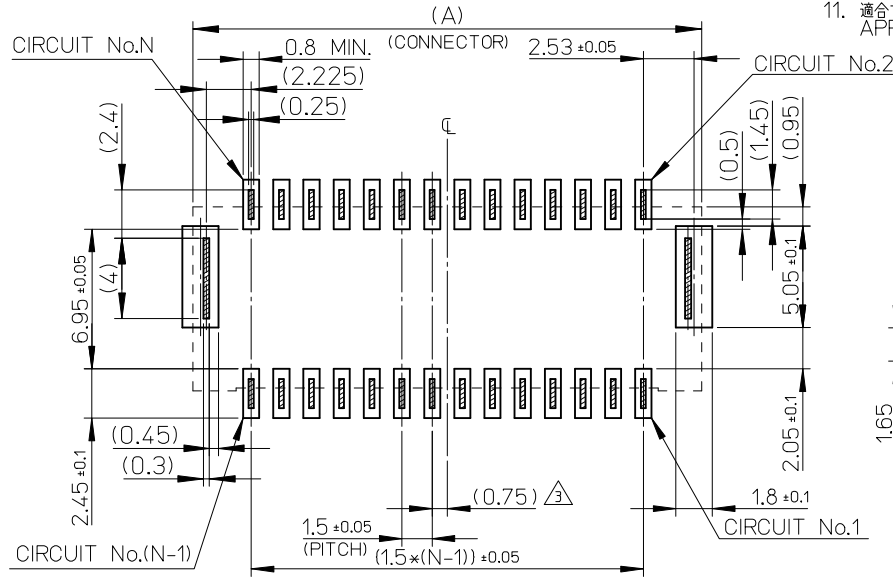
- 1. 嵌合相手: 503149-****
MATE WITH: 503149-****
- 2. 端子テール部及びネイルの平坦度: 0.1mm MAX.
TAIL AND NAIL COPLANARITY TO BE 0.1 MAX.
(極数/2)=偶数に適用
APPLY FOR (CIRCUIT SIZE/2)=EVEN
- 4. 端子テール部及びネイルに錫メッキを使用している為、
外観に摺動痕が付く場合があります。
- 5. 製品番号

MATERIAL No.
5054066***

極数 色
CIRCUIT SIZE COLOR

COLOR	ベージュ BEIGE (NATURAL)
COLOR No.	0

- 6. 本製品のプラスチック部に黒点・白点等が確認される場合や
色合いが異なる場合がありますが、製品性能に影響はありません。
THERE IS NO INFLUENCE IN THE PRODUCT PERFORMANCE THOUGH THE BLACK AND WHITE SPOT ETC.
MIGHT BE CONFIRMED TO THE PLASTIC PART OF THIS PRODUCT AND THE SHADE MIGHT BE DIFFERENT.
- △ トレードマーク:Mプラス、2文字の製造工場を示すアルファベットにて表示。
(但し、"J"はJAPANを"L"はMALAYSIAを示す。(例 MXJ 又はMXL))
金型番号:アルファベット1文字にて表示。(例 1A, 12A, 1B, 12B)
FORMED BY M AND FROM 1 TO 2 MORE LETTER OF ALPHABET WHICH MEAN THE MANUFACTORY.
'BUT "J" MEANS JAPAN. "L" MEANS MALAYSIA (TO TRADE MARK)'
(e.g. MXJ OR MXL).
AND BY 1 - 2 DIGIT NUMBER (TO CAVITY NO.)
'AND BY 1 LETTER OF ALPHABET (TO MOLD NO.)(e.g. 1A, 12A, 1B, 12B).'
- △ コネクタ下にパターン及びスルーホールを設置する場合、基板面からのパターン盛り上がりは、0.1mm MAX.とする事。
但し、図示したパターン禁止エリアは除く。
THE UPSURGE ON THE P.C BOARD SIDE TO BE 0.1mm MAX.
WHEN SET UP A PATTERN AND A THROUGH HALL UNDER THE CONNECTOR.
- 9. ELV及びROHS適合品
ELV AND ROHS COMPLIANT
オーダー番号及びコネクタシリーズ番号
- △ ORDER No. AND CONNECTOR SERIES No.
34極品の色対応はベージュと黒色のみとなります。
A COLOR OF 34 CKT. IS ONLY BEIGE AND BLACK.
- 11. 適合プラグターミナル: 5025791*00, 5034291*00
APPLICABLE PLUG TERMINAL: 5025791*00, 5034291*00



パターンレイアウト(参考)
PATTERN LAYOUT (REF.)

<p>RELEASED EC No: J2015-0528 2014/10/23 DRWN: TAKAIKE CHKD: KASAKAWA 2015/02/16 APPR: NUKITA 2015/02/16</p>	GENERAL TOLERANCES (UNLESS SPECIFIED)		DIMENSION STYLE MM ONLY		SCALE 4:1	DESIGN UNITS METRIC	THIRD ANGLE PROJECTION
	0.25 UNDER	±0.03	DRAWN BY	DATE	TITLE		
	0.25 OVER 0.5 UNDER	±0.05	TAKAIKE	2014/10/23	1.5 W/B CONN. DUAL ST REC. ASSY		
	0.5 OVER 1.0 UNDER	±0.1	CHECKED BY	DATE	<p>molex</p> <p>DOCUMENT NO. SD-505406-001</p> <p>SHEET NO. 2 OF 3</p>		
1.0 OVER 10 UNDER	±0.2	KASAKAWA	2015/02/16				
10 OVER 30 UNDER	±0.25	APPROVED BY	DATE				
30 OVER	±0.3	NUKITA	2015/02/16	MATERIAL NO.			
ANGULAR ±1 °		SEE SHEET 3		THIS DRAWING CONTAINS INFORMATION THAT IS PROPRIETARY TO MOLEX INCORPORATED AND SHOULD NOT BE USED WITHOUT WRITTEN PERMISSION			
DRAFT WHERE APPLICABLE MUST REMAIN WITHIN DIMENSIONS	SIZE A3						

△ ORDER No. AND CONNECTOR SERIES No.

HOUSING COLOR : BEIGE (NATURAL)		505406**60
34	5054063460	
32	5054063260	
30	5054063060	
28	5054062860	
26	5054062660	
24	5054062460	
22	5054062260	
20	5054062060	
18	5054061860	
16	5054061660	
14	5054061460	
12	5054061260	
10	5054061060	
8	5054060860	
CIRCUIT	EMBOSSSED TAPE PACKAGE オーダー番号 ORDER No.	CONNECTOR SERIES No. コネクタシリーズ番号

RELEASED EC NO: J2015-0528 DRWN: TAKAIKE 2014/10/23 CHKD: KASAKAWA 2015/02/16 APPR: NUKITA 2015/02/16	GENERAL TOLERANCES (UNLESS SPECIFIED)		DIMENSION STYLE MM ONLY		SCALE 4:1	DESIGN UNITS METRIC	THIRD ANGLE PROJECTION	
	0.25 UNDER	± 0.03	DRAWN BY	DATE	TITLE 1.5 W/B CONN. DUAL ST REC. ASSY			
	0.25 OVER 0.5 UNDER	± 0.05	TAKAIKE	2014/10/23				
	0.5 OVER 1.0 UNDER	± 0.1	CHECKED BY	DATE	<div style="text-align: center; font-size: 2em; font-weight: bold;">molex</div>			
	1.0 OVER 10 UNDER	± 0.2	KASAKAWA	2015/02/16				
	10 OVER 30 UNDER	± 0.25	APPROVED BY	DATE	DOCUMENT NO.		SHEET NO. 3 OF 3	
30 OVER	± 0.3	NUKITA	2015/02/16	SD-505406-001				
ANGULAR ±1 °		MATERIAL NO.		SEE TABLE				
DRAFT WHERE APPLICABLE MUST REMAIN WITHIN DIMENSIONS			SIZE A3	THIS DRAWING CONTAINS INFORMATION THAT IS PROPRIETARY TO MOLEX INCORPORATED AND SHOULD NOT BE USED WITHOUT WRITTEN PERMISSION				

10 9 8 7 6 5 4 3 2 1

F

E

D

C

B

A

F

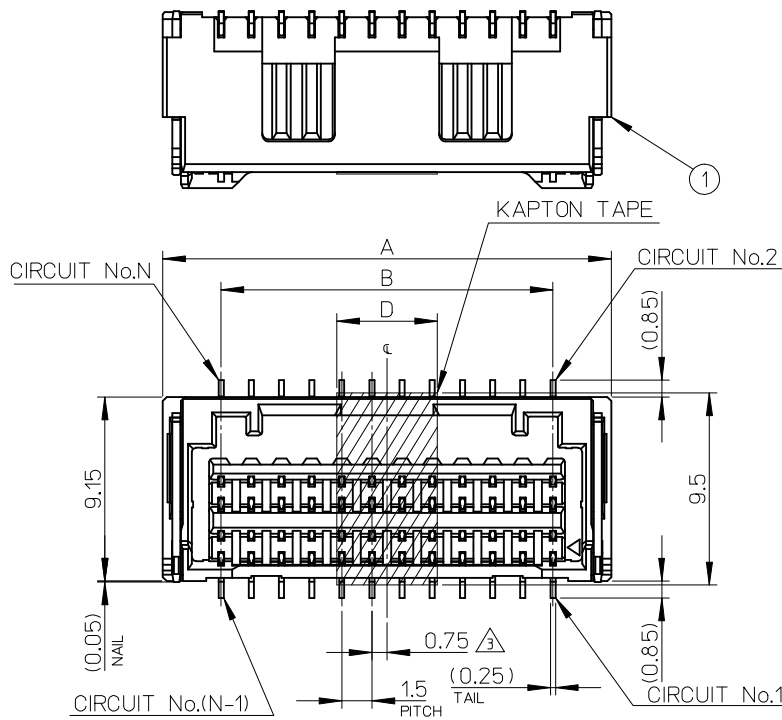
E

D

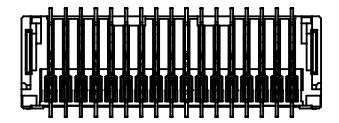
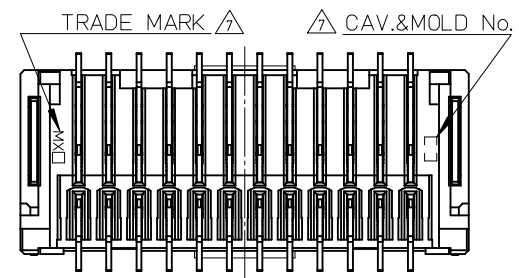
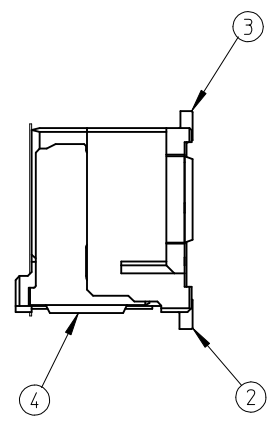
C

B

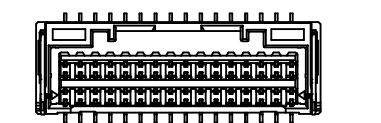
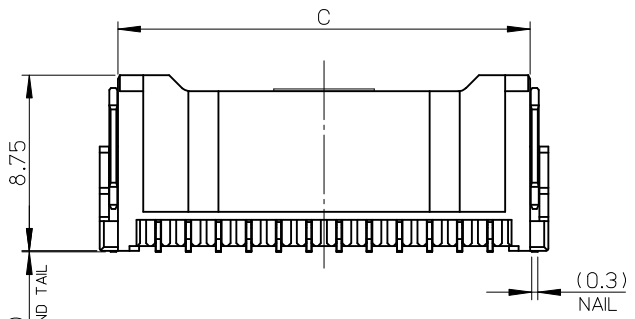
A



8,10極ハウジング形状
(HOUSING FORM OF 8,10CKT)
SCALE 2:1



34極ハウジング形状
(HOUSING FORM OF 34CKT)
SCALE 2:1



30,32,34極ハウジング形状
(HOUSING FORM OF 30,32,34CKT)
SCALE 2:1

505406346*	5	28.0	24.0	29.8	34
505406326*	5	26.5	22.5	28.3	32
505406306*	5	25.0	21.0	26.8	30
505406286*	4	23.5	19.5	25.3	28
505406266*	4	22.0	18.0	23.8	26
505406246*	4	20.5	16.5	22.3	24
505406226*	4	19.0	15.0	20.8	22
505406206*	4	17.5	13.5	19.3	20
505406186*	4	16.0	12.0	17.8	18
505406166*	4	14.5	10.5	16.3	16
505406146*	4	13.0	9.0	14.8	14
505406126*	3	11.5	7.5	13.3	12
505406106*	3	10	6.0	11.8	10
505406086*	3	8.5	4.5	10.3	8
EMBOSSED TAPE PACKAGE		D	C	B	A
オーダー番号 ORDER No.					CIRCUIT

No.	PART	MATERIAL
①	HOUSING	耐熱性樹脂 UL94V-0 HEATPROOF RESIN UL94V-0
②	TERMINAL A	銅合金 COPPER ALLOY
		コンタクト部 金メッキ : 0.2 micro-meter MIN. CONTACT POS. GOLD
③	TERMINAL B	テール部 錫メッキ : 1.0 micro-meter MIN. TAIL POS. TIN
		ニッケルメッキ (下地) : 1.0 micro-meter MIN. NICKEL (UNDER PLATING)
④	NAIL	銅合金 COPPER ALLOY
		錫メッキ : 1.0 micro-meter MIN. TIN
		ニッケルメッキ (下地) : 1.0 micro-meter MIN. NICKEL (UNDER PLATING)

RELEASED
EC NO: J2015-0528
DRWNTAKAIKE 2014/10/23
CHKD:KASAKAWA 2015/02/16
APPR:NUKITA 2015/02/16

GENERAL TOLERANCES (UNLESS SPECIFIED)		DIMENSION STYLE		SCALE	DESIGN UNITS	THIRD ANGLE PROJECTION
0.25 UNDER	±0.03	MM ONLY		4:1	METRIC	☉
0.25 OVER 0.5 UNDER	±0.05	DRAWN BY DATE		TITLE		
0.5 OVER 1.0 UNDER	±0.1	TAKAIKE 2014/10/23		1.5 W/B CONN. DUAL ST REC. ASSY		
1.0 OVER 10 UNDER	±0.2	CHECKED BY DATE		molex		
10 OVER 30 UNDER	±0.25	KASAKAWA 2015/02/16		SD-505406-001		
30 OVER	±0.3	APPROVED BY DATE		SHEET NO.		
ANGULAR ±1 °		NUKITA 2015/02/16		1 OF 3		
DRAFT WHERE APPLICABLE MUST REMAIN WITHIN DIMENSIONS		MATERIAL NO.		DOCUMENT NO.		
		SEE SHEET 3		THIS DRAWING CONTAINS INFORMATION THAT IS PROPRIETARY TO MOLEX INCORPORATED AND SHOULD NOT BE USED WITHOUT WRITTEN PERMISSION		

9 8 7 6 5 4 3 2 1

NOTES

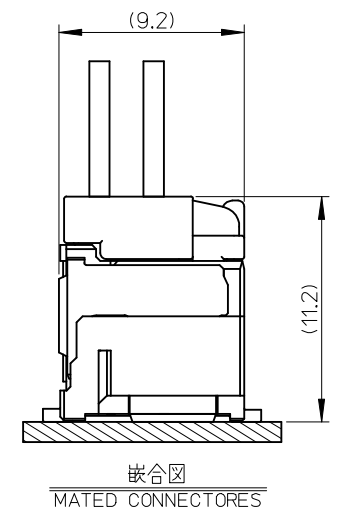
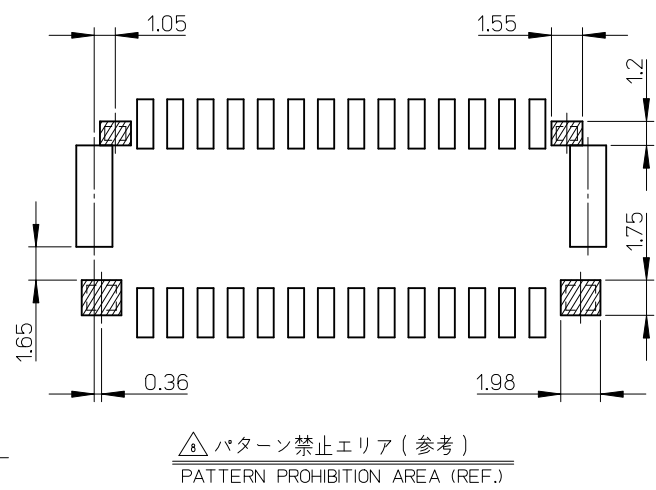
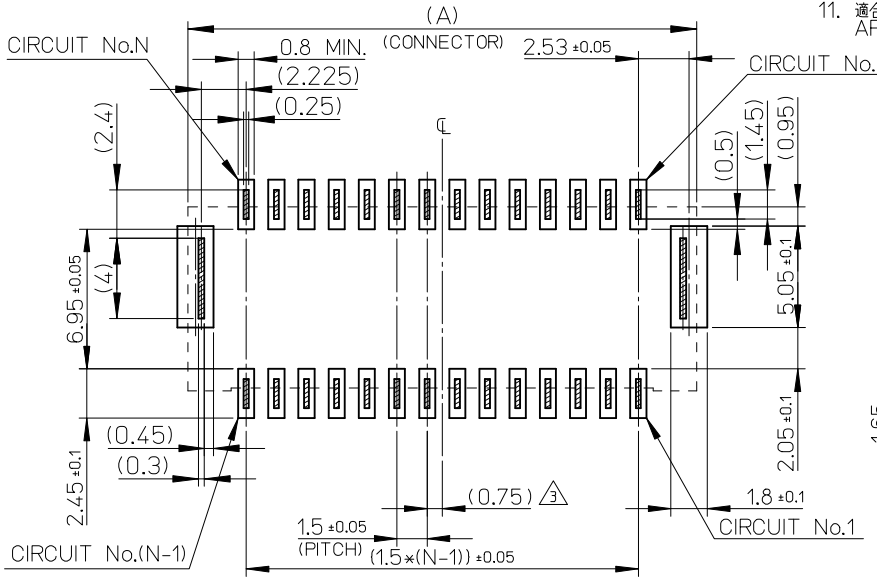
1. 嵌合相手: 503149-****
MATE WITH: 503149-****
2. 端子テール部及びネールの平坦度: 0.1mm MAX.
TAIL AND NAIL COPLANARITY TO BE 0.1 MAX.
(極数/2)=偶数に適用
APPLY FOR (CIRCUIT SIZE/2)=EVEN
4. 端子テール部及びネールに錫メッキを使用している為、
外観に摺動痕が付く場合があります。
5. 製品番号

MATERIAL No.
505406**6*

極数 色
CIRCUIT SIZE COLOR

COLOR	ベージュ BEIGE (NATURAL)
COLOR No.	0

6. 本製品のプラスチック部に黒点・白点等が確認される場合や
色合いが異なる場合がありますが、製品性能に影響はありません。
THERE IS NO INFLUENCE IN THE PRODUCT PERFORMANCE THOUGH THE BLACK AND WHITE SPOT ETC.
MIGHT BE CONFIRMED TO THE PLASTIC PART OF THIS PRODUCT AND THE SHADE MIGHT BE DIFFERENT.
- △ トレードマーク:Mプラス、2文字の製造工場を示すアルファベットにて表示。
(但し、"J"はJAPANを"L"はMALAYSIAを示す。(例 MXJ 又はMXL))
金型番号: アルファベット1文字にて表示。(例 1A, 12A, 1B, 12B)
FORMED BY M AND FROM 1 TO 2 MORE LETTER OF ALPHABET WHICH MEAN THE MANUFACTORY.
'BUT "J" MEANS JAPAN. "L" MEANS MALAYSIA (TO TRADE MARK)'
(e.g. MXJ OR MXL).
AND BY 1 - 2 DIGIT NUMBER (TO CAVITY NO.)
'AND BY 1 LETTER OF ALPHABET (TO MOLD NO.)'(e.g. 1A, 12A, 1B, 12B)."
- △ コネクタ下にパターン及びスルーホールを設置する場合、基板面からのパターン盛り上がりは、0.1mm MAX.とする事。
但し、図示したパターン禁止エリアは除く。
THE UPSURGE ON THE P.C BOARD SIDE TO BE 0.1mm MAX.
WHEN SET UP A PATTERN AND A THROUGH HALL UNDER THE CONNECTOR.
9. ELV及びROHS適合品
ELV AND ROHS COMPLIANT
オーダー番号及びコネクタシリーズ番号
- △ ORDER No. AND CONNECTOR SERIES No.
34極品の色対応はベージュと黒色のみとなります。
A COLOR OF 34 CKT. IS ONLY BEIGE AND BLACK.
11. 適合プラグターミナル: 5025791*00, 5034291*00
APPLICABLE PLUG TERMINAL: 5025791*00, 5034291*00



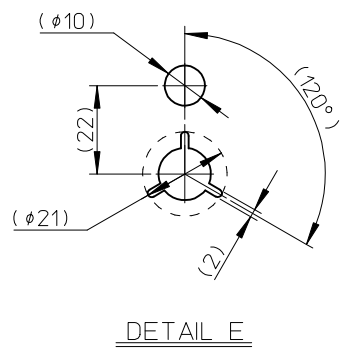
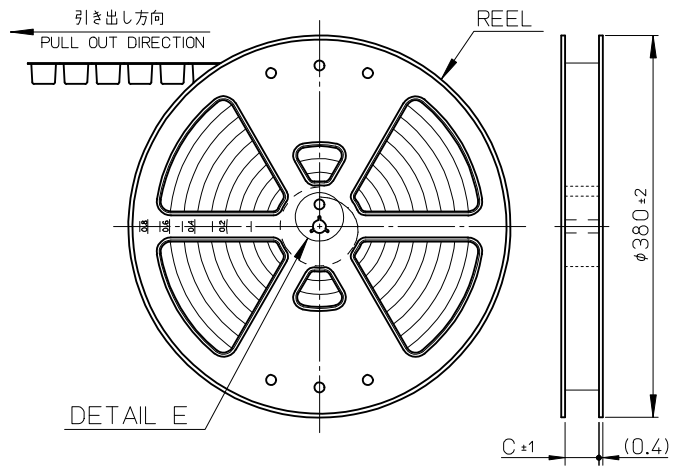
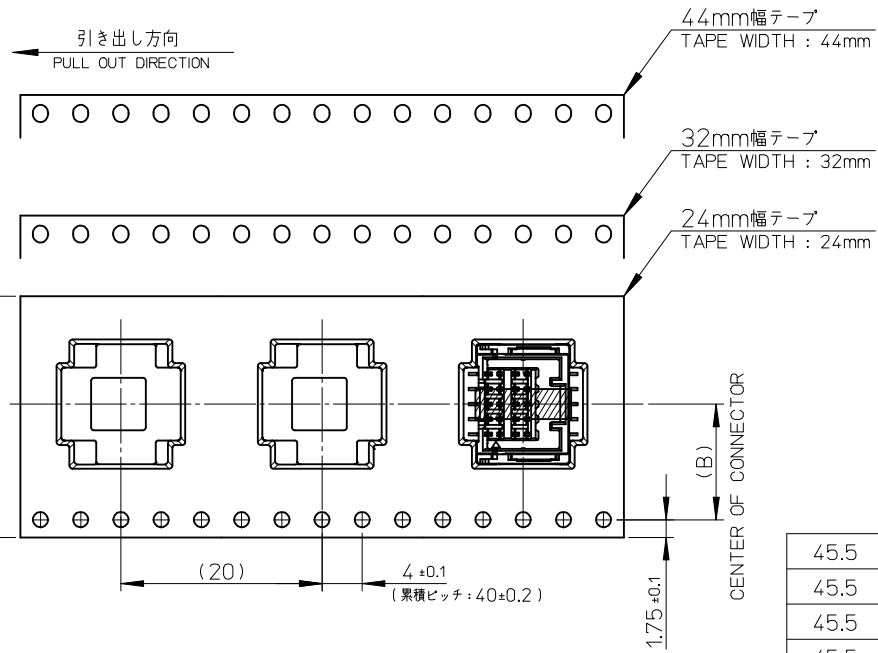
パターンレイアウト (参考)
PATTERN LAYOUT (REF.)

RELEASED EC NO: J2015-0528 DRWN:TAKAIKE 2014/10/23 CHKD:KASAKAWA 2015/02/16 APPR:NUKITA 2015/02/16 REV A	GENERAL TOLERANCES (UNLESS SPECIFIED)		DIMENSION STYLE MM ONLY		SCALE 4:1	DESIGN UNITS METRIC	THIRD ANGLE PROJECTION	
	0.25 UNDER	±0.03	DRAWN BY	DATE	TITLE			
	0.25 OVER	0.5 UNDER	±0.05	TAKAIKE	2014/10/23	1.5 W/B CONN. DUAL ST REC. ASSY		
	0.5 OVER	1.0 UNDER	±0.1	CHECKED BY	DATE			
1.0 OVER	10 UNDER	±0.2	KASAKAWA	2015/02/16	molex DOCUMENT NO. SD-505406-001 SHEET NO. 2 OF 3			
10 OVER	30 UNDER	±0.25	APPROVED BY	DATE				
30 OVER	±0.3	NUKITA	2015/02/16	SEE SHEET 3				
ANGULAR	±1 °	MATERIAL NO.	THIS DRAWING CONTAINS INFORMATION THAT IS PROPRIETARY TO MOLEX INCORPORATED AND SHOULD NOT BE USED WITHOUT WRITTEN PERMISSION					
DRAFT WHERE APPLICABLE MUST REMAIN WITHIN DIMENSIONS		SIZE A3						

△ ORDER No. AND CONNECTOR SERIES No.

HOUSING COLOR : BEIGE (NATURAL)		505406**60
34	5054063460	
32	5054063260	
30	5054063060	
28	5054062860	
26	5054062660	
24	5054062460	
22	5054062260	
20	5054062060	
18	5054061860	
16	5054061660	
14	5054061460	
12	5054061260	
10	5054061060	
8	5054060860	
CIRCUIT	EMBOSSSED TAPE PACKAGE オーダー番号 ORDER No.	CONNECTOR SERIES No. コネクタシリーズ番号

RELEASED EC NO: J2015-0528 DRWN: TAKAIKE 2014/10/23 CHKD: KASAKAWA 2015/02/16 APPR: NUKITA 2015/02/16	GENERAL TOLERANCES (UNLESS SPECIFIED)		DIMENSION STYLE MM ONLY		SCALE 4:1	DESIGN UNITS METRIC	THIRD ANGLE PROJECTION	
	0.25 UNDER	± 0.03	DRAWN BY	DATE	TITLE 1.5 W/B CONN. DUAL ST REC. ASSY			
	0.25 OVER 0.5 UNDER	± 0.05	TAKAIKE	2014/10/23				
	0.5 OVER 1.0 UNDER	± 0.1	CHECKED BY	DATE	molex			
	1.0 OVER 10 UNDER	± 0.2	KASAKAWA	2015/02/16				
	10 OVER 30 UNDER	± 0.25	APPROVED BY	DATE	DOCUMENT NO.		SHEET NO. 3 OF 3	
30 OVER	± 0.3	NUKITA	2015/02/16	SD-505406-001				
ANGULAR ±1 °		MATERIAL NO.		SEE TABLE				
DRAFT WHERE APPLICABLE MUST REMAIN WITHIN DIMENSIONS			SIZE A3	THIS DRAWING CONTAINS INFORMATION THAT IS PROPRIETARY TO MOLEX INCORPORATED AND SHOULD NOT BE USED WITHOUT WRITTEN PERMISSION				

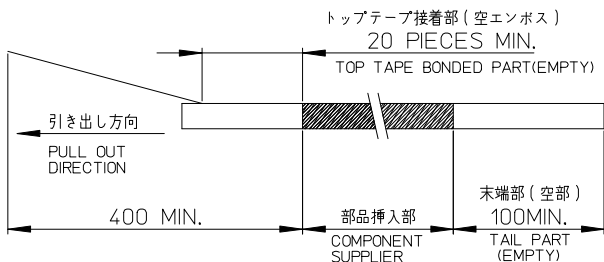


45.5	20.2	44	505406346*	34
45.5	20.2	44	505406326*	32
45.5	20.2	44	505406306*	30
45.5	20.2	44	505406286*	28
45.5	20.2	44	505406266*	26
45.5	20.2	44	505406246*	24
45.5	20.2	44	505406226*	22
45.5	20.2	44	505406206*	20
45.5	20.2	44	505406186*	18
33.5	14.2	32	505406166*	16
33.5	14.2	32	505406146*	14
33.5	14.2	32	505406126*	12
25.5	11.5	24	505406106*	10
25.5	11.5	24	505406086*	8
C	B	エンボステープ幅 A WIDTH OF TAPE	△ 製品番号 MATERIAL No.	CIRCUIT No.

RELEASED EC NO: J2015-0528 DRWN: TAKAIKE 2014/10/23 CHKD: KASAKAWA 2015/02/16 APPR: NUKITA 2015/02/16 REV: A	GENERAL TOLERANCES (UNLESS SPECIFIED)		DIMENSION STYLE MM ONLY		SCALE 2:1	DESIGN UNITS METRIC	THIRD ANGLE PROJECTION
	0.25 UNDER	±0.03	DRAWN BY	DATE	TITLE		
	0.25 OVER 0.5 UNDER	±0.05	TAKAIKE	2014/10/23	EMBOSSSED TAPE PACKAGE FOR 505406-****		
	0.5 OVER 1.0 UNDER	±0.1	CHECKED BY	DATE	molex DOCUMENT NO. SD-505406-002 SHEET NO. 1 OF 2		
1.0 OVER 10 UNDER	±0.2	KASAKAWA	2015/02/16	SEE SHEET 2 THIS DRAWING CONTAINS INFORMATION THAT IS PROPRIETARY TO MOLEX INCORPORATED AND SHOULD NOT BE USED WITHOUT WRITTEN PERMISSION			
10 OVER 30 UNDER	±0.25	APPROVED BY	DATE				
30 OVER	±0.3	NUKITA	2015/02/16				
ANGULAR ±1 °		MATERIAL NO.					
DRAFT WHERE APPLICABLE MUST REMAIN WITHIN DIMENSIONS		SIZE					
		A3					

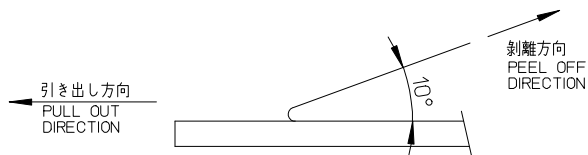
NOTE

1. 梱包数量 : 450個/リール
NUMBER OF CONNECTORS : 450 PIECES/REEL
2. リードテープ長さ
LEAD TAPE LENGTH



3. トップテープの剥離強度 : 0.1~0.3 N (10.2~132.5gf)
剥離方向は下記参照。
PEELING OFF FORCE OF TOP TAPE
PEELING DIRECTION AS SHOWN IN FOLLOWING FIGURE.

尚、本規格は出荷時に適用。(但し、輸送時に剥離が発生しない事)
THIS REQUIREMENT SHOULD BE APPLIED AT SHIPMENT.
PEEL OFF SHOULD NOT BE ALLOWED, DURING TRANSPORTION.



4. 製品詳細寸法については、SD-505406-001を参照して下さい。
PLEASE REFER TO SD-505406-001 FOR THE DETAILED DIMENSION OF THE CONNECTOR.

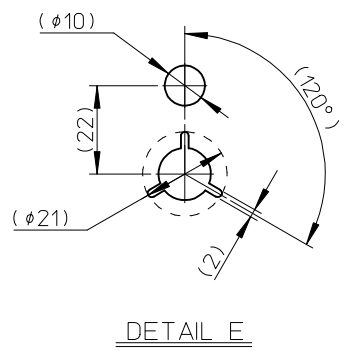
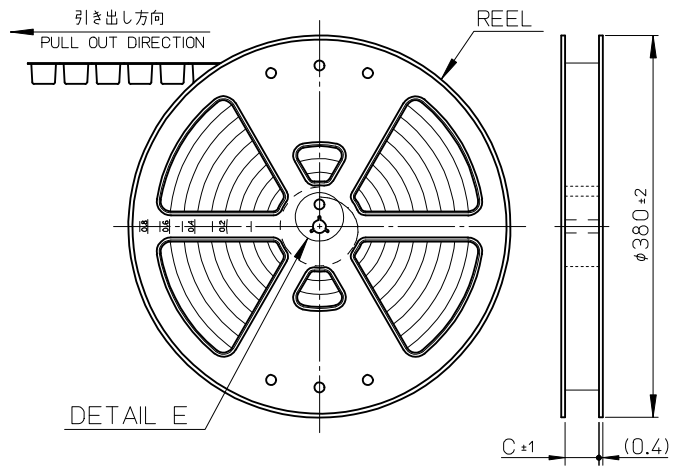
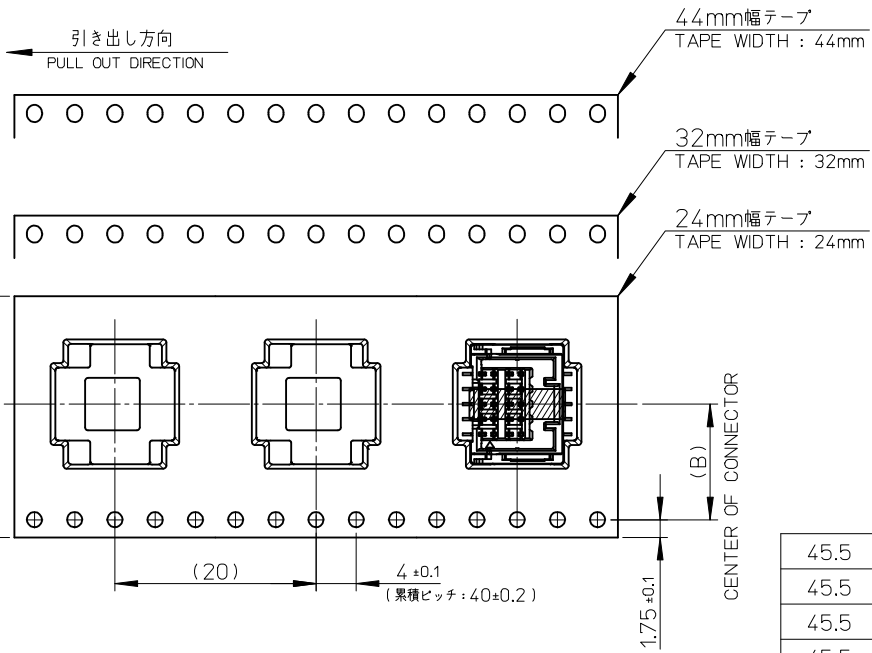
MATERIAL No. AND CONNECTOR SERIES No.



MATERIAL No.	
COLOR	ベージュ BEIGE (NATURAL)
CIRCUIT No.	
CIRCUIT No.34	5054063460
CIRCUIT No.32	5054063260
CIRCUIT No.30	5054063060
CIRCUIT No.28	5054062860
CIRCUIT No.26	5054062660
CIRCUIT No.24	5054062460
CIRCUIT No.22	5054062260
CIRCUIT No.20	5054062060
CIRCUIT No.18	5054061860
CIRCUIT No.16	5054061660
CIRCUIT No.14	5054061460
CIRCUIT No.12	5054061260
CIRCUIT No.10	5054061060
CIRCUIT No.8	5054060860
CONNECTOR SERIES No.	505406**60

6. 材料
MATERIAL
キャリアテープ : ポリスチレン
CARRIER TAPE : POLYSTYRENE
トップテープ : ポリエステル、ポリエチレン、ポリエチレンテレフタレート
TOP TAPE : POLYESTER, POLYETHYLENE, POLYETHYLENE TEREPHTHALATE
リール : ポリスチレン (リサイクル材含む)
REEL : POLYSTYRENE (RECYCLE MATERIAL CONTAINED)
7. ELV及びRoHS適合品
ELV AND RoHS COMPLIANT

RELEASED EC No.: J2015-0528 DRWN: TAKAIKE 2014/10/23 CHKD: KASAKAWA 2015/02/16 APPR: NUKITA 2015/02/16	GENERAL TOLERANCES (UNLESS SPECIFIED)		DIMENSION STYLE MM ONLY		SCALE 2:1	DESIGN UNITS METRIC	THIRD ANGLE PROJECTION
	0.25 UNDER	±0.03	DRAWN BY	DATE	TITLE		
	0.25 OVER 0.5 UNDER	±0.05	TAKAIKE	2014/10/23	EMBOSSSED TAPE PACKAGE FOR 505406-****		
	0.5 OVER 1.0 UNDER	±0.1	CHECKED BY	DATE			
	1.0 OVER 10 UNDER	±0.2	KASAKAWA	2015/02/16			
10 OVER 30 UNDER	±0.25	APPROVED BY	DATE	MATERIAL NO.	DOCUMENT NO.	SHEET NO.	
30 OVER	±0.3	NUKITA	2015/02/16	SEE TABLE	SD-505406-002	2 OF 2	
ANGULAR ±1 °		DRAFT WHERE APPLICABLE MUST REMAIN WITHIN DIMENSIONS		SIZE A3	THIS DRAWING CONTAINS INFORMATION THAT IS PROPRIETARY TO MOLEX INCORPORATED AND SHOULD NOT BE USED WITHOUT WRITTEN PERMISSION		

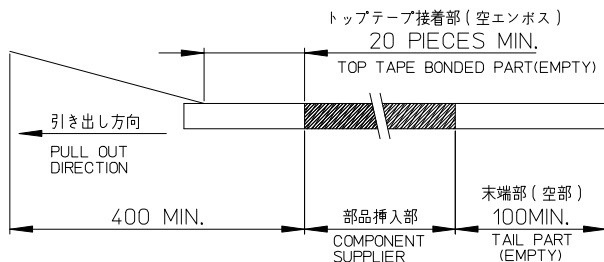


45.5	20.2	44	505406346*	34
45.5	20.2	44	505406326*	32
45.5	20.2	44	505406306*	30
45.5	20.2	44	505406286*	28
45.5	20.2	44	505406266*	26
45.5	20.2	44	505406246*	24
45.5	20.2	44	505406226*	22
45.5	20.2	44	505406206*	20
45.5	20.2	44	505406186*	18
33.5	14.2	32	505406166*	16
33.5	14.2	32	505406146*	14
33.5	14.2	32	505406126*	12
25.5	11.5	24	505406106*	10
25.5	11.5	24	505406086*	8
C	B	エンボステープ幅 A WIDTH OF TAPE	△ 製品番号 MATERIAL No.	CIRCUIT No.

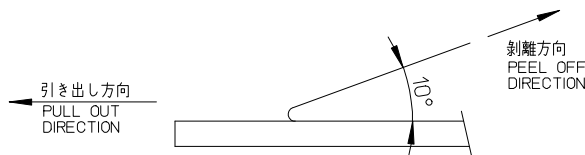
RELEASED EC NO: J2015-0528 DRWN:TAKAIKE 2014/10/23 CHKD:KASAKAWA 2015/02/16 APPR:NUKITA 2015/02/16 REV A	GENERAL TOLERANCES (UNLESS SPECIFIED)		DIMENSION STYLE MM ONLY		SCALE 2:1	DESIGN UNITS METRIC	THIRD ANGLE PROJECTION
	0.25 UNDER	±0.03	DRAWN BY	DATE	TITLE		
	0.25 OVER 0.5 UNDER	±0.05	TAKAIKE	2014/10/23	EMBOSSSED TAPE PACKAGE FOR 505406-****		
	0.5 OVER 1.0 UNDER	±0.1	CHECKED BY	DATE	MATERIAL No.		
1.0 OVER 10 UNDER	±0.2	KASAKAWA	2015/02/16	CIRCUIT No.			
10 OVER 30 UNDER	±0.25	APPROVED BY	DATE	DOCUMENT NO.			
30 OVER	±0.3	NUKITA	2015/02/16	SHEET NO.			
ANGULAR ±1 °		MATERIAL NO.		SD-505406-002			
DRAFT WHERE APPLICABLE MUST REMAIN WITHIN DIMENSIONS		SIZE	THIS DRAWING CONTAINS INFORMATION THAT IS PROPRIETARY TO MOLEX INCORPORATED AND SHOULD NOT BE USED WITHOUT WRITTEN PERMISSION				
		A3	SEE SHEET 2				

NOTE

- 1. 梱包数量 : 450個/リール
NUMBER OF CONNECTORS : 450 PIECES/REEL
- 2. リードテープ長さ
LEAD TAPE LENGTH



- 3. トップテープの剥離強度 : 0.1~0.3 N (10.2~132.5gf)
剥離方向は下記参照。
PEELING OFF FORCE OF TOP TAPE
PEELING DIRECTION AS SHOWN IN FOLLOWING FIGURE.
尚、本規格は出荷時に適用。(但し、輸送時に剥離が発生しない事)
THIS REQUIREMENT SHOULD BE APPLIED AT SHIPMENT.
PEEL OFF SHOLD NOT BE ALLOWED,DURING TRANSPORTION.



- 4. 製品詳細寸法については、SD-505406-001を参照して下さい。
PLEASE REFER TO SD-505406-001 FOR THE DETAILED DIMENSION OF THE CONNECTOR.
MATERIAL No. AND CONNECTOR SERIES No.



MATERIAL No.	
COLOR	ベージュ BEIGE (NATURAL)
CIRCUIT No.	
CIRCUIT No.34	505406 3460
CIRCUIT No.32	505406 3260
CIRCUIT No.30	505406 3060
CIRCUIT No.28	505406 2860
CIRCUIT No.26	505406 2660
CIRCUIT No.24	505406 2460
CIRCUIT No.22	505406 2260
CIRCUIT No.20	505406 2060
CIRCUIT No.18	505406 1860
CIRCUIT No.16	505406 1660
CIRCUIT No.14	505406 1460
CIRCUIT No.12	505406 1260
CIRCUIT No.10	505406 1060
CIRCUIT No.8	505406 0860
CONNECTOR SERIES No.	505406 **60

- 6. 材料
MATERIAL
キャリアテープ : ポリスチレン
CARRIER TAPE : POLYSTYRENE
トップテープ : ポリエステル、ポリエチレン、ポリエチレンテレフタレート
TOP TAPE : POLYESTER,POLYETHYLENE,POLYETHYLENE TEREPHTHALATE
リール : ポリスチレン(リサイクル材含む)
REEL : POLYSTYRENE (RECYCLE MATERIAL CONTAINED)
- 7. ELV及びRoHS適合品
ELV AND RoHS COMPLIANT

RELEASED EC No.: J2015-0528 DRWN:TAKAIKE 2014/10/23 CHKD:KASAKAWA 2015/02/16 APPR:NUKITA 2015/02/16	GENERAL TOLERANCES (UNLESS SPECIFIED)		DIMENSION STYLE MM ONLY		SCALE 2:1	DESIGN UNITS METRIC	THIRD ANGLE PROJECTION
	0.25 UNDER	±0.03	DRAWN BY	DATE	TITLE		
	0.25 OVER 0.5 UNDER	±0.05	TAKAIKE	2014/10/23	EMBOSSSED TAPE PACKAGE FOR 505406-****		
	0.5 OVER 1.0 UNDER	±0.1	CHECKED BY	DATE			
	1.0 OVER 10 UNDER	±0.2	KASAKAWA	2015/02/16			
10 OVER 30 UNDER	±0.25	APPROVED BY	DATE	MATERIAL NO.	DOCUMENT NO.	SHEET NO.	
30 OVER	±0.3	NUKITA	2015/02/16	SEE TABLE	SD-505406-002	2 OF 2	
ANGULAR ±1 °		DRAFT WHERE APPLICABLE MUST REMAIN WITHIN DIMENSIONS		SIZE A3	THIS DRAWING CONTAINS INFORMATION THAT IS PROPRIETARY TO MOLEX INCORPORATED AND SHOULD NOT BE USED WITHOUT WRITTEN PERMISSION		