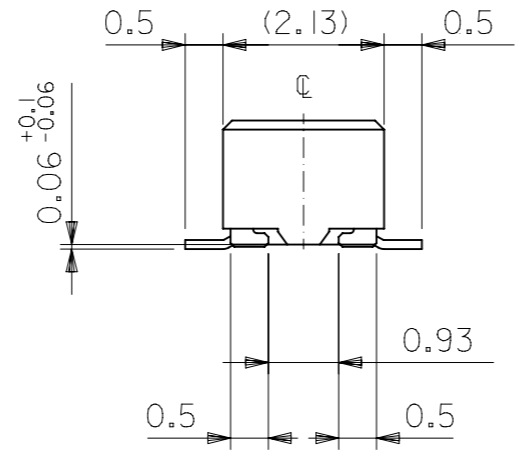
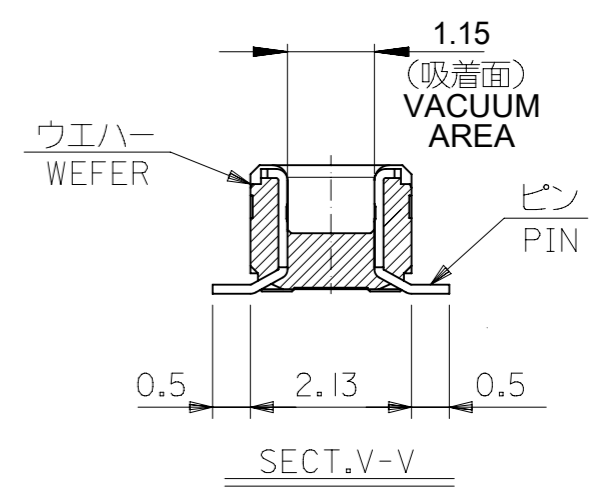


注記 NOTES:

1. 使用材料 MATERIAL
 ウエハー: 液晶ポリマー (LCP) ガラス充填 UL94V-0 (黒)
 WAFER: LIQUID CRYSTAL POLYMER (GLASS FILLED)
 UL94V-0 (COLOR:BLACK)
 ピン: 黄銅 (t=0.12)
 PIN: BRASS (t=0.12)
 金具: リン青銅 (t=0.2)
 FITTING NAIL: PHOSPHOR BRONZE (t=0.2)
2. メッキ仕様 PLATING
 ピン PIN
 金メッキ 0.2 マイクロメートル以上 (コンタクト部)
 GOLD 0.2MICROMETER MINIMUM (CONTACT AREA)
 金メッキ 0.4 マイクロメートル以下 (テール部)
 GOLD 0.4MICROMETER MAXIMUM (TAIL AREA)
 下地メッキ: ニッケルメッキ 1.5 マイクロメートル以上
 UNDER PLATING: NICKEL 1.5MICROMETER MINIMUM
 金具 FITTING NAIL
 錫メッキ 1.0 マイクロメートル以上
 TIN PLATING 1.0MICROMETER MINIMUM
 下地メッキ: ニッケルメッキ 1.0 マイクロメートル以上
 UNDER PLATING: NICKEL 1.0MICROMETER MINIMUM



3. (全極数/2) = 偶数の場合に適用。
 APPLY FOR (CIRCUIT/2)=EVEN.
4. 嵌合相手: 51338シリーズ (嵌合高さ = 2.0mm) 及び
 500913シリーズ (嵌合高さ = 2.3mm)
 MATE WITH: 51338 SERIES (HEIGHT = 2.0mm) AND
 500913 SERIES (HEIGHT = 2.3mm)
5. テール平坦度は、0.08以下
 テール及び金具の平坦度は、0.1以下
 TAIL COPLANARITY TO BE 0.08MAXIMUM
 TAIL AND FITTING NAIL
 COPLANARITY TO BE 0.1MAXIMUM
6. ELV 及び RoHS 適合品
 ELV AND RoHS COMPLIANT.



17.2	15.6	18.0	501745-0801	80
15.2	13.6	16.0	501745-0701	70
13.2	11.6	14.0	501745-0601	60
12.0	10.4	12.8	501745-0541	54
11.2	9.6	12.0	501745-0501	50
9.2	7.6	10.0	501745-0401	40
7.2	5.6	8.0	501745-0301	30
3.6	2.0	4.4	501745-9901	12
C	B	A	EMBOSSED PACKAGE	CKT.
			ORDER NO. オーダー番号	
			CONNECTOR SERIES No.	501745-***0

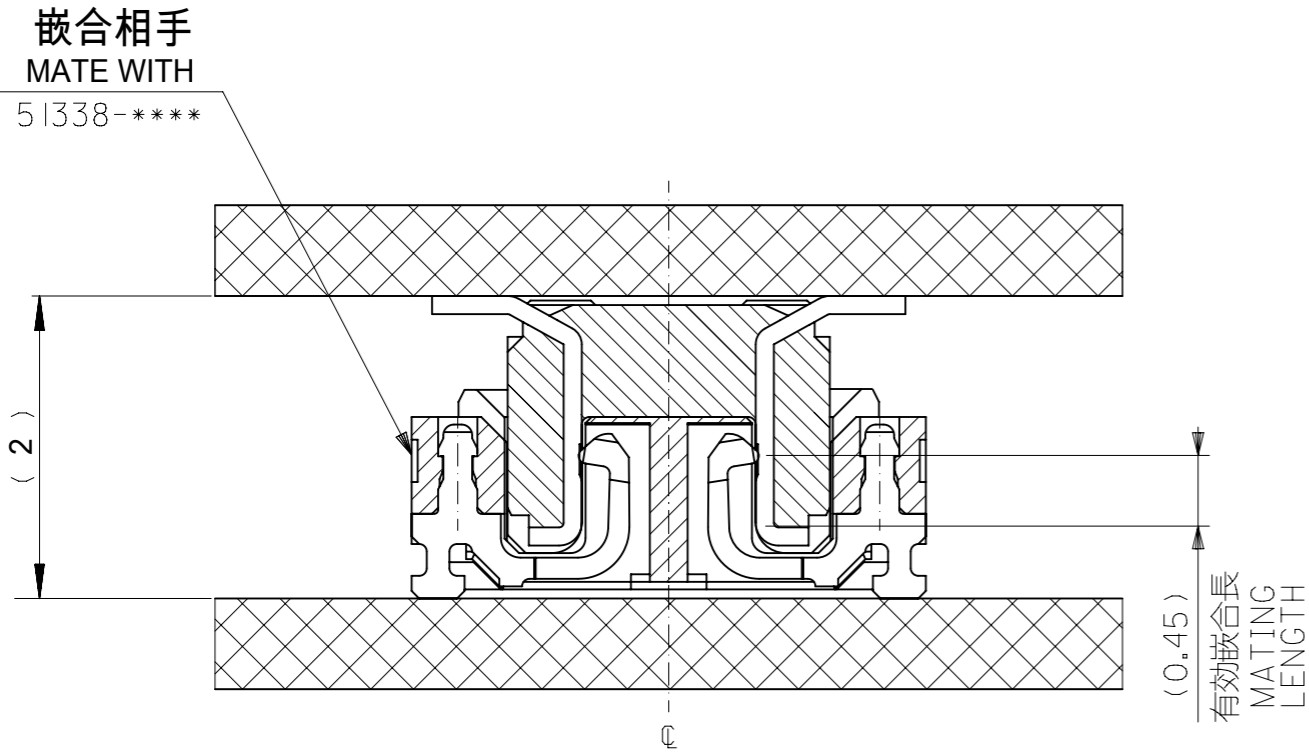
THIS DRAWING CONTAINS INFORMATION THAT IS PROPRIETARY TO MOLEX ELECTRONIC TECHNOLOGIES, LLC AND SHOULD NOT BE USED WITHOUT WRITTEN PERMISSION

DIMENSION UNITS	SCALE	CURRENT REV DESC:	molex		
mm	NTS				
GENERAL TOLERANCES (UNLESS SPECIFIED)			0.4 B-TO-B CONN. H = 2.0 / 2.3 J-BEND PLUG		
ANGULAR TOL ± 3.0°			PRODUCT CUSTOMER DRAWING		
4 PLACES	±	EC NO: 739909	DOCUMENT NUMBER		
3 PLACES	±	DRWN: RAJMOK	DOC TYPE DOC PART REVISION		
2 PLACES	±	CHK'D: HSHIMUYAMA	SD-501745-001		
1 PLACE	±	APPR: YNAITO	PSD 001 J		
0 PLACES	±	INITIAL REVISION:	SHEET NUMBER		
DRAFT WHERE APPLICABLE MUST REMAIN WITHIN DIMENSIONS			2007/03/06	1 OF 2	
THIRD ANGLE PROJECTION			2007/03/06		
DRAWING			SERIES	MATERIAL NUMBER	CUSTOMER
A3-SIZE			501745	SEE TABLE	GENERAL MARKET

GENERAL TOLERANCES (UNLESS SPECIFIED)

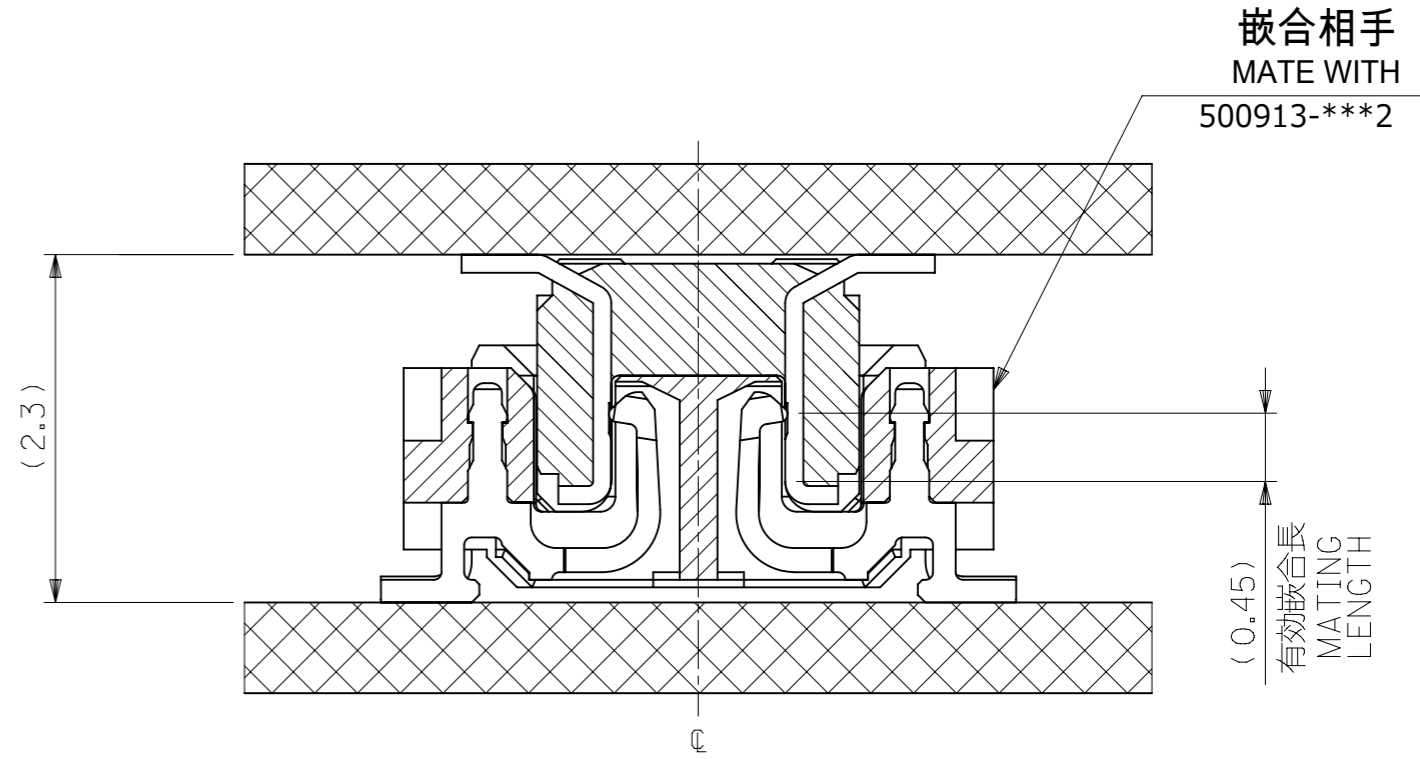
10 UNDER	±0.2
10 OVER 30 UNDER	±0.25
30 OVER	±0.3

MATE : 501745 WITH 51338

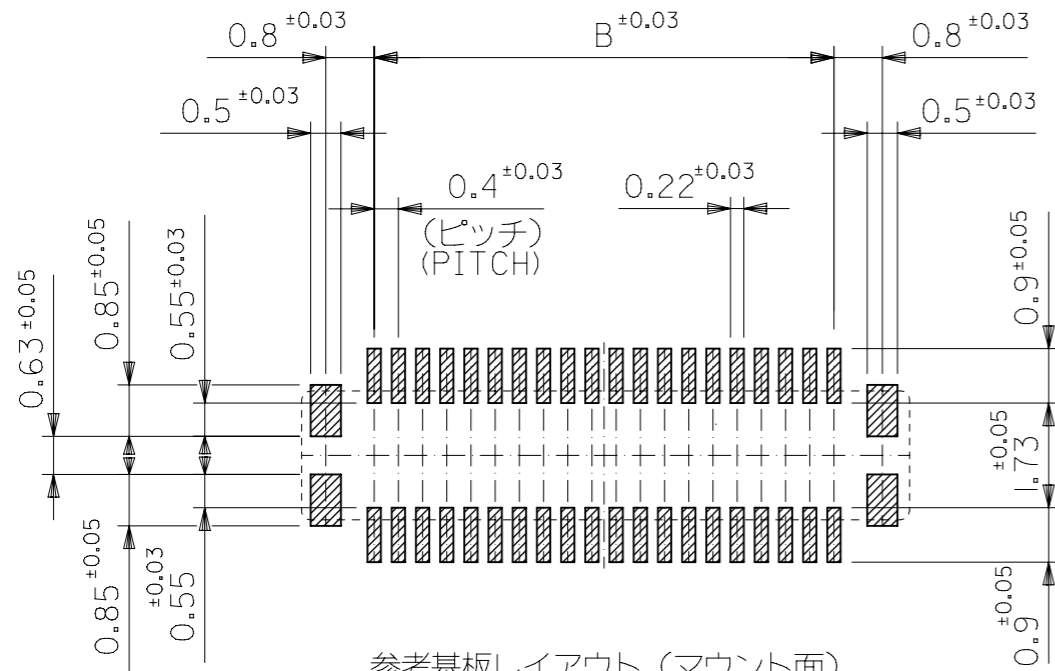


嵌合断面図 (参考)
MATED DRAWING (REFERENCE)

MATE : 501745 WITH 500913



嵌合断面図 (参考)
MATED DRAWING (REFERENCE)



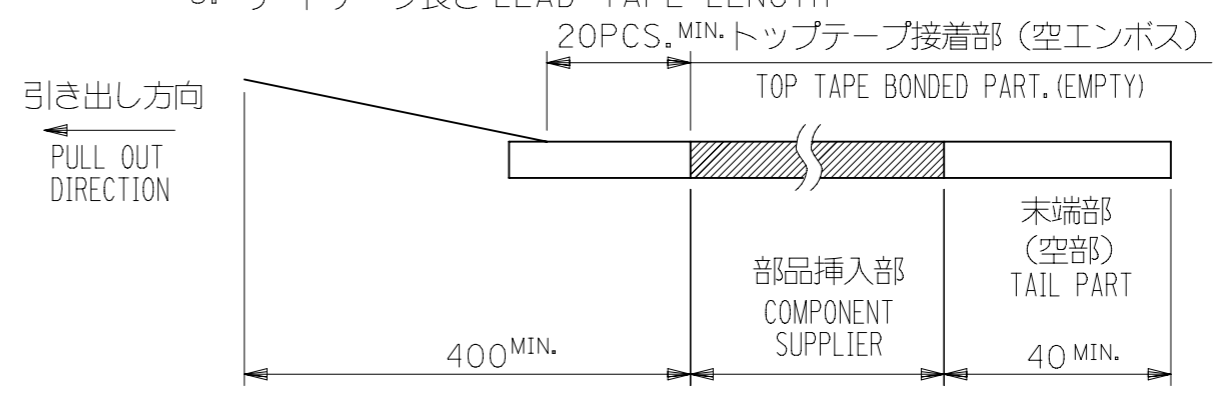
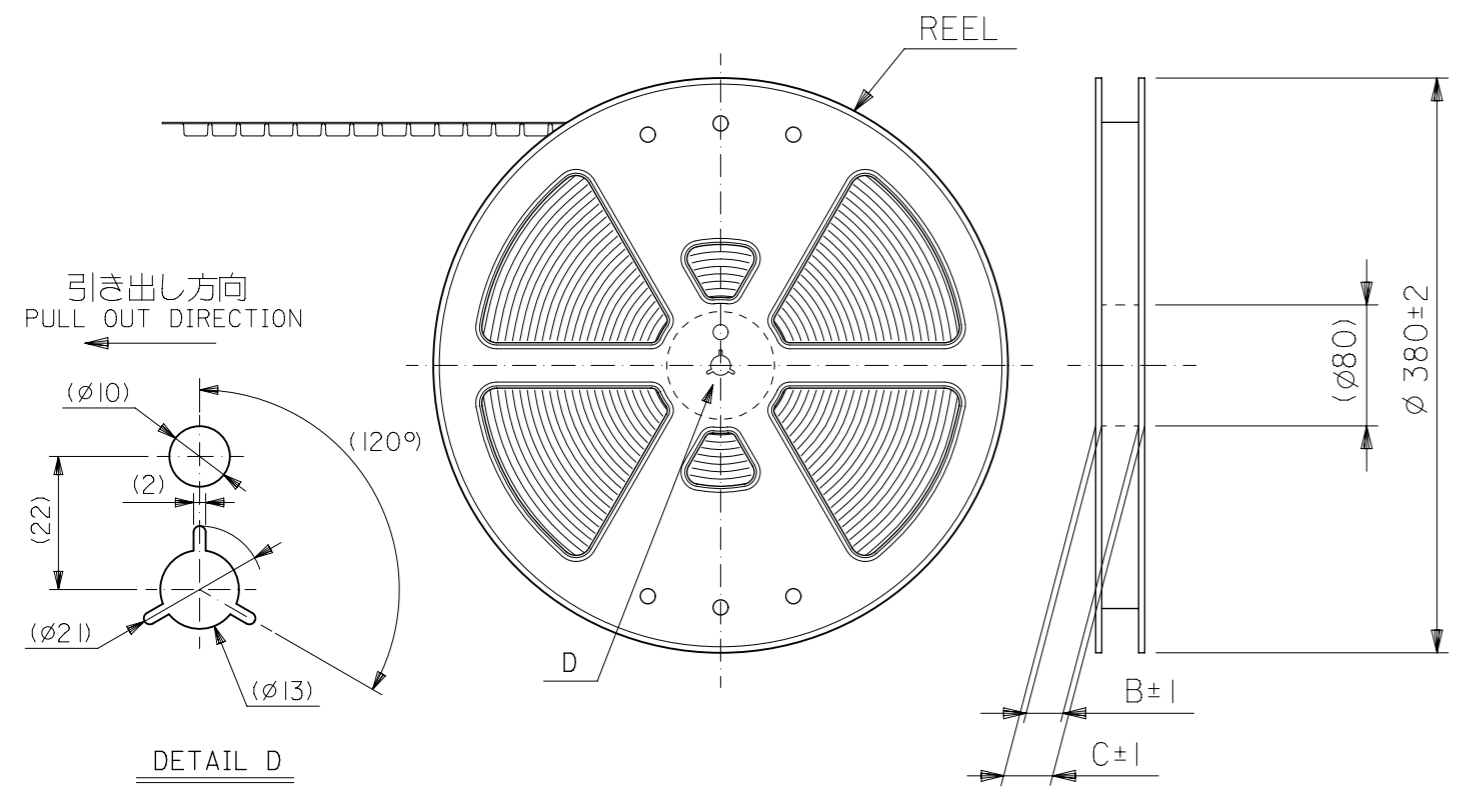
参考基板レイアウト (マウント面)
P.C.BOARD PATTERN DIMENSION.
(REFERENCE)
(MOUNTING AREA)

GENERAL TOLERANCES (UNLESS SPECIFIED)	
10 UNDER	±0.2
10 OVER 30 UNDER	±0.25
30 OVER	±0.3

THIS DRAWING CONTAINS INFORMATION THAT IS PROPRIETARY TO MOLEX ELECTRONIC TECHNOLOGIES, LLC AND SHOULD NOT BE USED WITHOUT WRITTEN PERMISSION		CURRENT REV DESC:		CONNECTOR SERIES No. 501745-***0	
DIMENSION UNITS	SCALE				
mm	NTS				
GENERAL TOLERANCES (UNLESS SPECIFIED)		0.4 B-TO-B CONN. H = 2.0 / 2.3 J-BEND PLUG			
ANGULAR TOL ± 3.0°		PRODUCT CUSTOMER DRAWING			
4 PLACES ±	EC NO: 739909	DRWN: RAJMOK		2023/02/21	
3 PLACES ±	CHK'D: HSHIMOMYAMA	APPR: YNAITO		2023/02/23	
2 PLACES ±	INITIAL REVISION:	DRWN: KSAITO01		2007/03/06	
1 PLACE ±	DRWN: NUKITA	APPR: NUKITA		2007/03/06	
0 PLACES ±	DRAFT WHERE APPLICABLE MUST REMAIN WITHIN DIMENSIONS	THIRD ANGLE PROJECTION	DRAWING	SERIES	MATERIAL NUMBER
			A3-SIZE	501745	SEE SHEET-1
		CUSTOMER	GENERAL MARKET		SHEET NUMBER
				2 OF 2	

NOTES

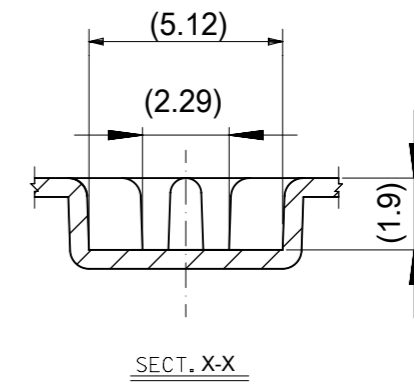
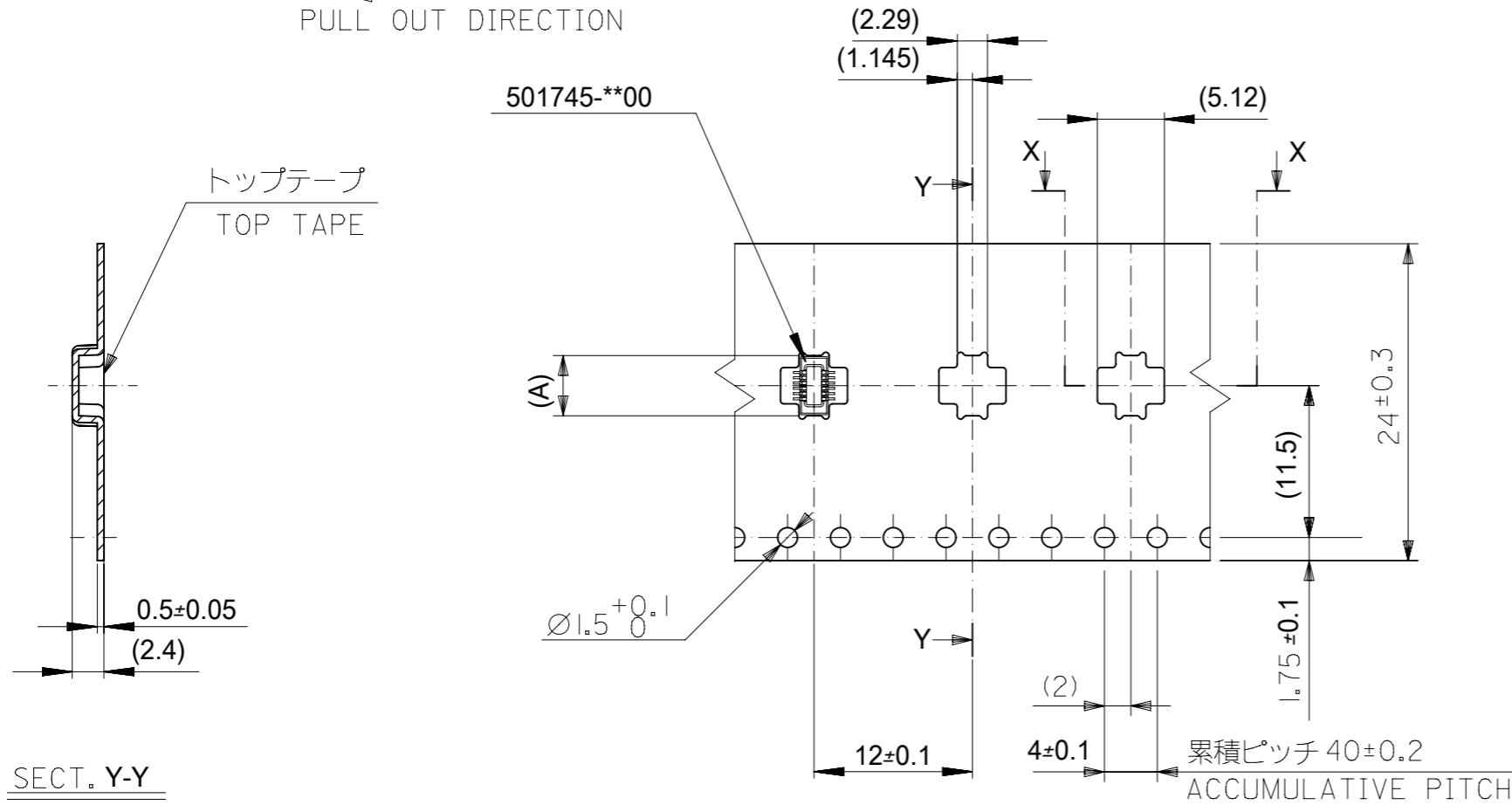
- 製品詳細寸法については製品単体図面を参照下さい。
DETAIL DIMENSIONS, SEE PRODUCT DRAWING.
- 梱包数量：2500個/リール
NUMBER OF CONNECTORS : 2500PCS/REEL
- リードテープ長さ LEAD TAPE LENGTH



- 材料 MATERIAL
 キャリアテープ (CARRIER TAPE) : ポリスチレン (POLYSTYRENE)
 トップテープ (TOP TAPE) : PET
 リール (REEL) : ポリスチレン (PS) <リサイクル材を含む>
 POLYSTYRENE (PS) <RECYCLE MATERIAL CONTAINED>
- ELV 及び RoHS 適合品
 ELV AND RoHS COMPLIANT.

THIS DRAWING CONTAINS INFORMATION THAT IS PROPRIETARY TO MOLEX ELECTRONIC TECHNOLOGIES, LLC AND SHOULD NOT BE USED WITHOUT WRITTEN PERMISSION		CURRENT REV DESC:		molex	
GENERAL TOLERANCES (UNLESS SPECIFIED)		EC NO: 638555 DRWN: BKBAE 2020/05/15 CHK'D: SHCHU 2020/05/29 APPR: SHCHU 2020/06/01			
GENERAL TOLERANCES (UNLESS SPECIFIED)		INITIAL REVISION:		PRODUCT CUSTOMER DRAWING	
10 ^{UNDER} ±0.2		DRWN: K.SAITO 2007/03/01		DOCUMENT NUMBER	
10 ^{OVER} 30 ^{UNDER} ±0.25		APPR: N.UKITA 2007/03/01		SD-501745-002	
30 ^{OVER} ±0.3		DRAFT WHERE APPLICABLE MUST REMAIN WITHIN DIMENSIONS		DOC TYPE DOC PART REVISION	
		THIRD ANGLE PROJECTION		PSD 001 F	
		DRAWING SERIES		MATERIAL NUMBER CUSTOMER SHEET NUMBER	
		A3-SIZE 501745		SEE CHART GENERAL MARKET 1 OF 4	

引き出し方向
PULL OUT DIRECTION



注記)製品がポケット内に問題なく収まること。
NOTE. Pocket should contain product smoothly.

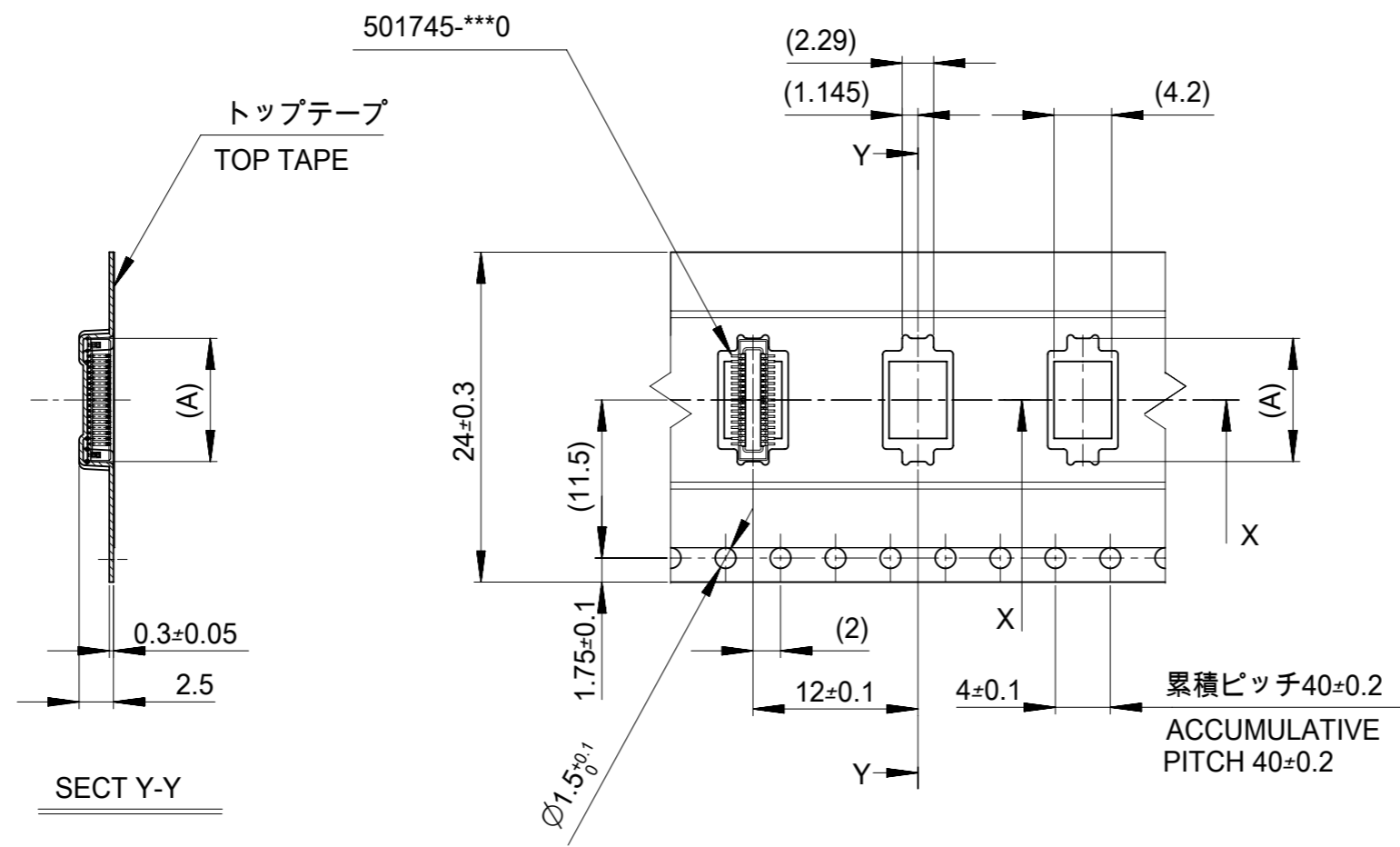
24	29.4	25.4	4.56	501745-9901	12
キャリアテープ幅 CARRIER TAPE WIDTH	C	B	(A)	オーダー番号 ORDER NO.	極数 CKT.
CONNECTOR SERIES No.				501745-***0	

THIS DRAWING CONTAINS INFORMATION THAT IS PROPRIETARY TO MOLEX ELECTRONIC TECHNOLOGIES, LLC AND SHOULD NOT BE USED WITHOUT WRITTEN PERMISSION

DIMENSION UNITS	SCALE	CURRENT REV DESC:			
mm	NTS	<p>molex</p> <p>0.4 B-TO-B CONN. H = 2.0 / 2.3 J-BEND PLUG</p> <p>PRODUCT CUSTOMER DRAWING</p>			
GENERAL TOLERANCES (UNLESS SPECIFIED)					
4 PLACES	±				
3 PLACES	±				
2 PLACES	±				
1 PLACE	±	EC NO: 638555	2020/05/15	DOCUMENT NUMBER	
0 PLACES	±	DRWN: BKBAE	2020/05/29	SD-501745-002	
ANGULAR TOL ± 3.0°		CHK'D: SHCHU	2020/06/01	DOC TYPE	DOC PART
DRAFT WHERE APPLICABLE MUST REMAIN WITHIN DIMENSIONS		APPR: SHCHU	2020/06/01	001	F
THIRD ANGLE PROJECTION		INITIAL REVISION:	2007/03/01	REVISION	
DRAWING		DRWN: K.SAITO	2007/03/01	2 OF 4	
SERIES		APPR: N.UKITA	2007/03/01	SHEET NUMBER	
MATERIAL NUMBER		SEE CHART			
CUSTOMER		GENERAL MARKET			
A3-SIZE		501745			

GENERAL TOLERANCES (UNLESS SPECIFIED)		
10 ^{UNDER}		±0.2
10 ^{OVER}	30 ^{UNDER}	±0.25
30 ^{OVER}		±0.3

引き出し方向
PULL OUT
DIRECTION



SECT Y-Y

SECT X-X

24	29.4	25.4	14.16	501745-0601	60
			12.96	501745-0541	54
			12.16	501745-0501	50
			10.16	501745-0401	40
			8.16	501745-0301	30
キャリアテープ幅 CARRIER TAPE WIDTH			C	B	(A)
			オーダー番号 ORDER NO.	極数 CKT.	

CONNECTOR SERIES No. 501745-***0

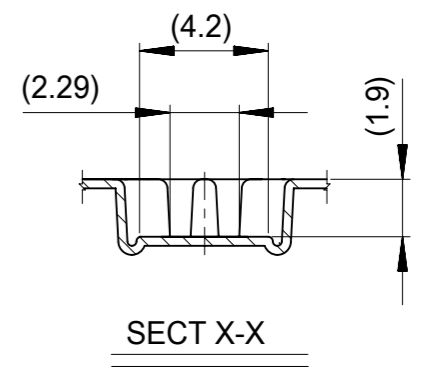
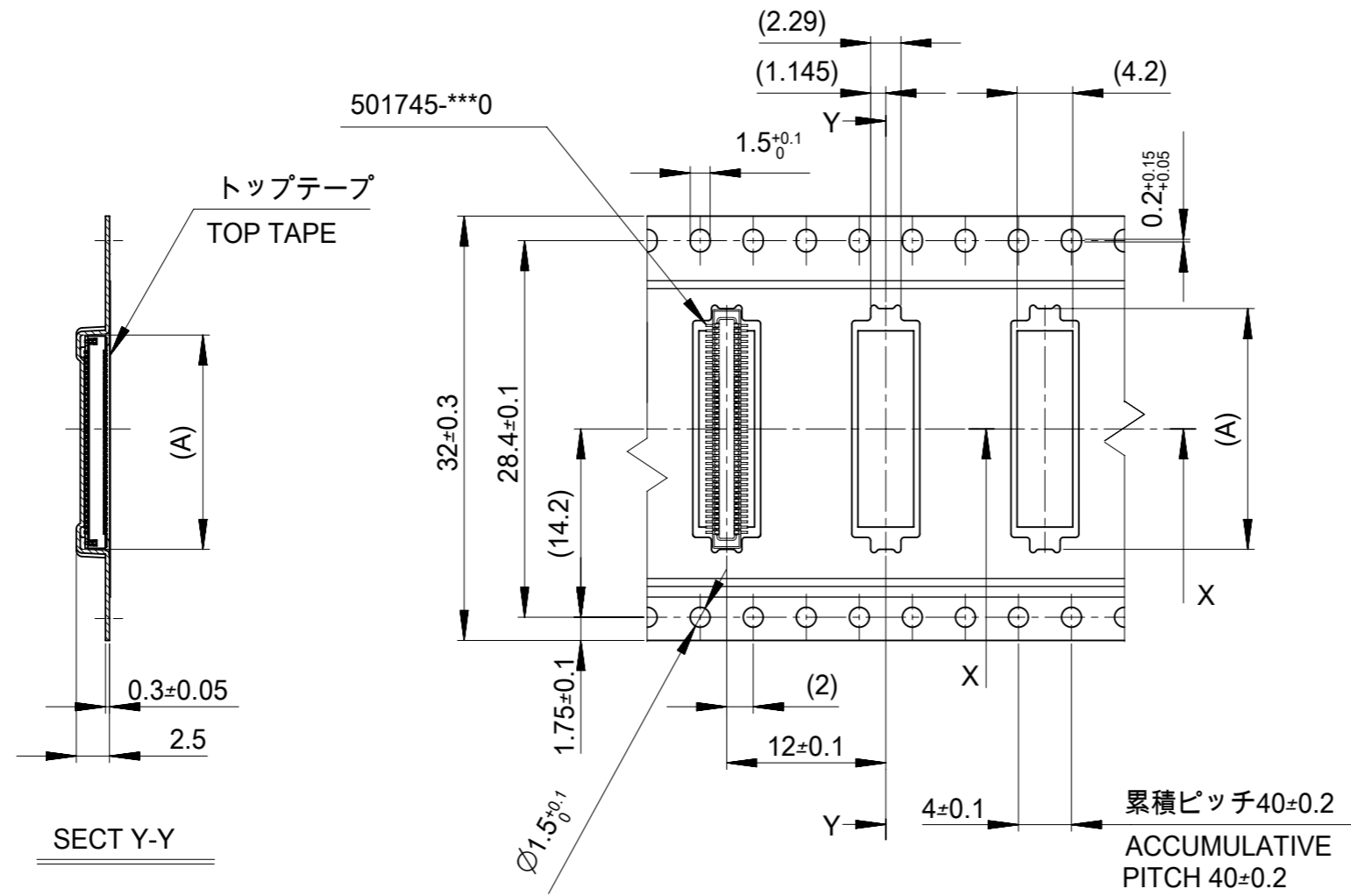
THIS DRAWING CONTAINS INFORMATION THAT IS PROPRIETARY TO MOLEX ELECTRONIC TECHNOLOGIES, LLC AND SHOULD NOT BE USED WITHOUT WRITTEN PERMISSION

DIMENSION UNITS	SCALE	CURRENT REV DESC:		molex	
mm	NTS				
GENERAL TOLERANCES (UNLESS SPECIFIED)		EC NO: 638555		0.4 B-TO-B CONN. H = 2.0 / 2.3 J-BEND PLUG	
		DRWN: BKBAE 2020/05/15		PRODUCT CUSTOMER DRAWING	
		CHK'D: SHCHU 2020/05/29		DOCUMENT NUMBER	
		APPR: SHCHU 2020/06/01		SD-501745-002	
		INITIAL REVISION:		DOC TYPE	
		DRWN: K.SAITO 2007/03/01		PSD	
		APPR: N.UKITA 2007/03/01		DOC PART	
		ANGULAR TOL ± 3.0°		001	
DRAFT WHERE APPLICABLE MUST REMAIN WITHIN DIMENSIONS		THIRD ANGLE PROJECTION		REVISION	
		DRAWING		F	
		SERIES		SHEET NUMBER	
		A3-SIZE		3 OF 4	
		501745		MATERIAL NUMBER	
		SEE CHART		CUSTOMER	
		GENERAL MARKET			

GENERAL TOLERANCES (UNLESS SPECIFIED)

10 ^{UNDER}	±0.2
10 ^{OVER} 30 ^{UNDER}	±0.25
30 ^{OVER}	±0.3

引き出し方向
PULL OUT
DIRECTION



SECT Y-Y

32	37.4	33.4	18.16	501745-0801	80
			16.16	501745-0701	70
キャリアテープ幅 CARRIER TAPE WIDTH		C	B	(A)	極数 CKT.
CONNECTOR SERIES No.					501745-***0
オーダー番号 ORDER NO.					

THIS DRAWING CONTAINS INFORMATION THAT IS PROPRIETARY TO MOLEX ELECTRONIC TECHNOLOGIES, LLC AND SHOULD NOT BE USED WITHOUT WRITTEN PERMISSION

DIMENSION UNITS	SCALE	CURRENT REV DESC:	molex		
mm	NTS		0.4 B-TO-B CONN. H = 2.0 / 2.3 J-BEND PLUG		
GENERAL TOLERANCES (UNLESS SPECIFIED)		EC NO: 638555	PRODUCT CUSTOMER DRAWING		
4 PLACES	±	DRWN: BKBAE	2020/05/15	DOCUMENT NUMBER	
3 PLACES	±	CHK'D: SHCHU	2020/05/29	SD-501745-002	DOC TYPE
2 PLACES	±	APPR: SHCHU	2020/06/01	PSD	DOC PART
1 PLACE	±	INITIAL REVISION:		001	REVISION
0 PLACES	±	DRWN: K.SAITO	2007/03/01	F	
ANGULAR TOL ± 3.0°		APPR: N.UKITA	2007/03/01		
DRAFT WHERE APPLICABLE MUST REMAIN WITHIN DIMENSIONS		THIRD ANGLE PROJECTION	DRAWING	SERIES	MATERIAL NUMBER
			A3-SIZE	501745	CUSTOMER
					GENERAL MARKET
					SHEET NUMBER
					4 OF 4

GENERAL TOLERANCES (UNLESS SPECIFIED)		
10 ^{UNDER}		±0.2
10 ^{OVER}	30 ^{UNDER}	±0.25
30 ^{OVER}		±0.3