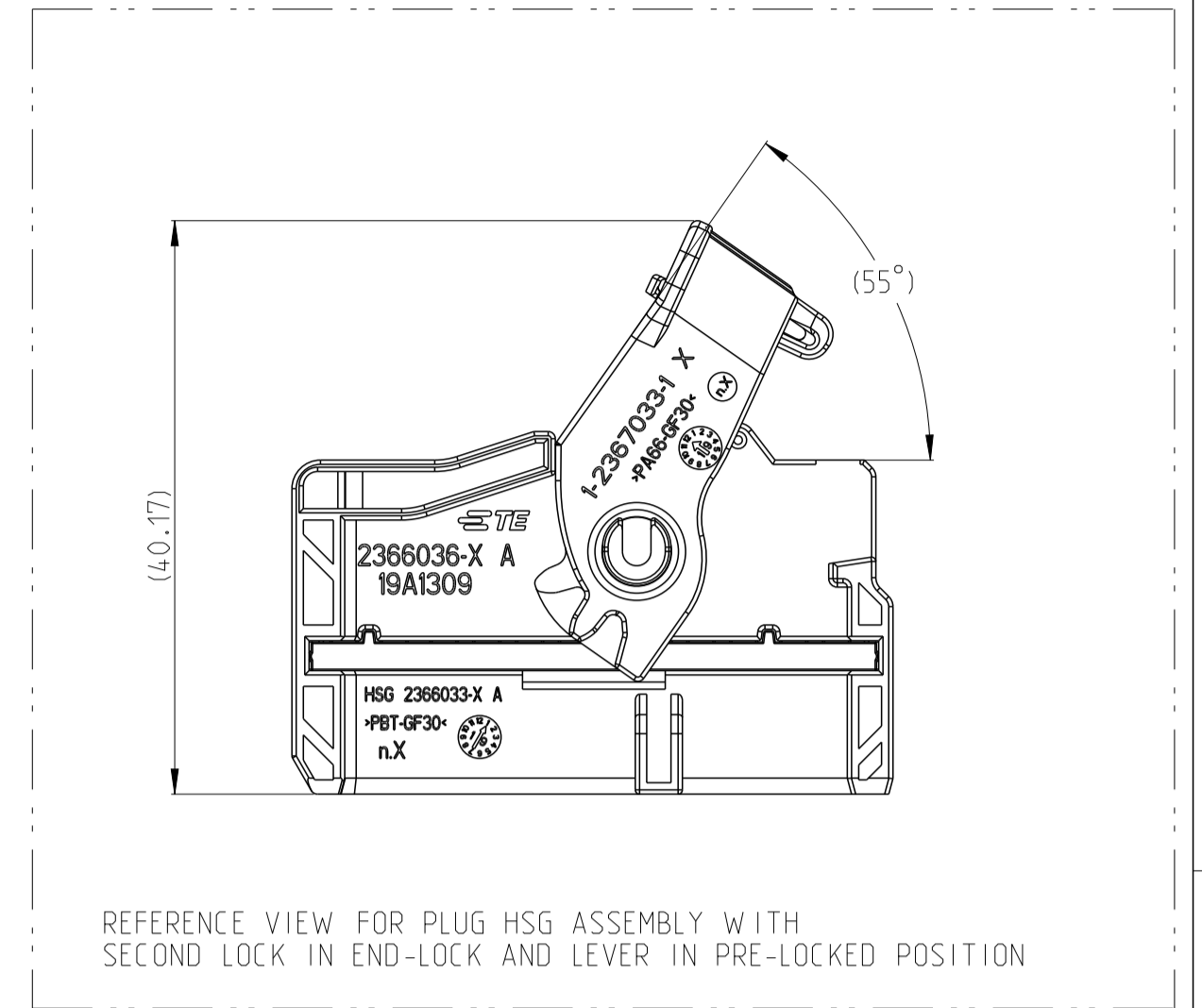
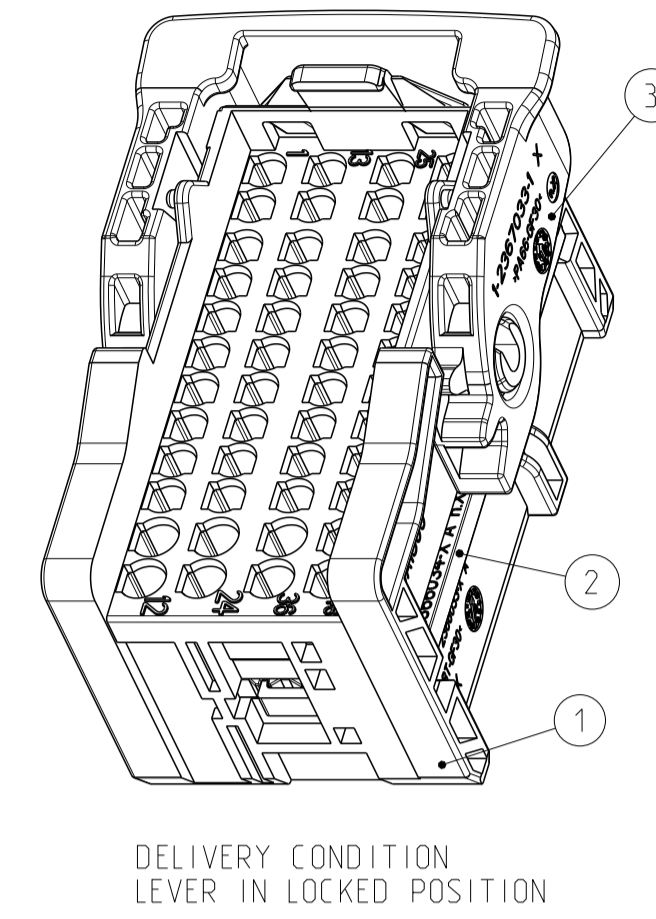
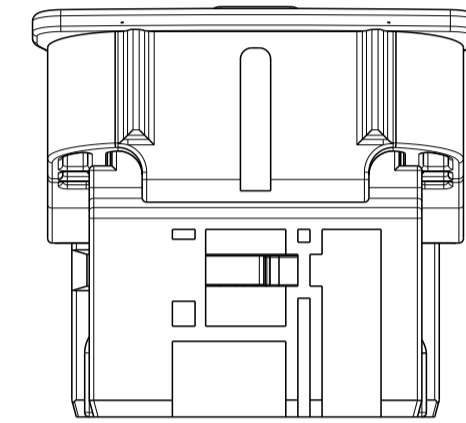
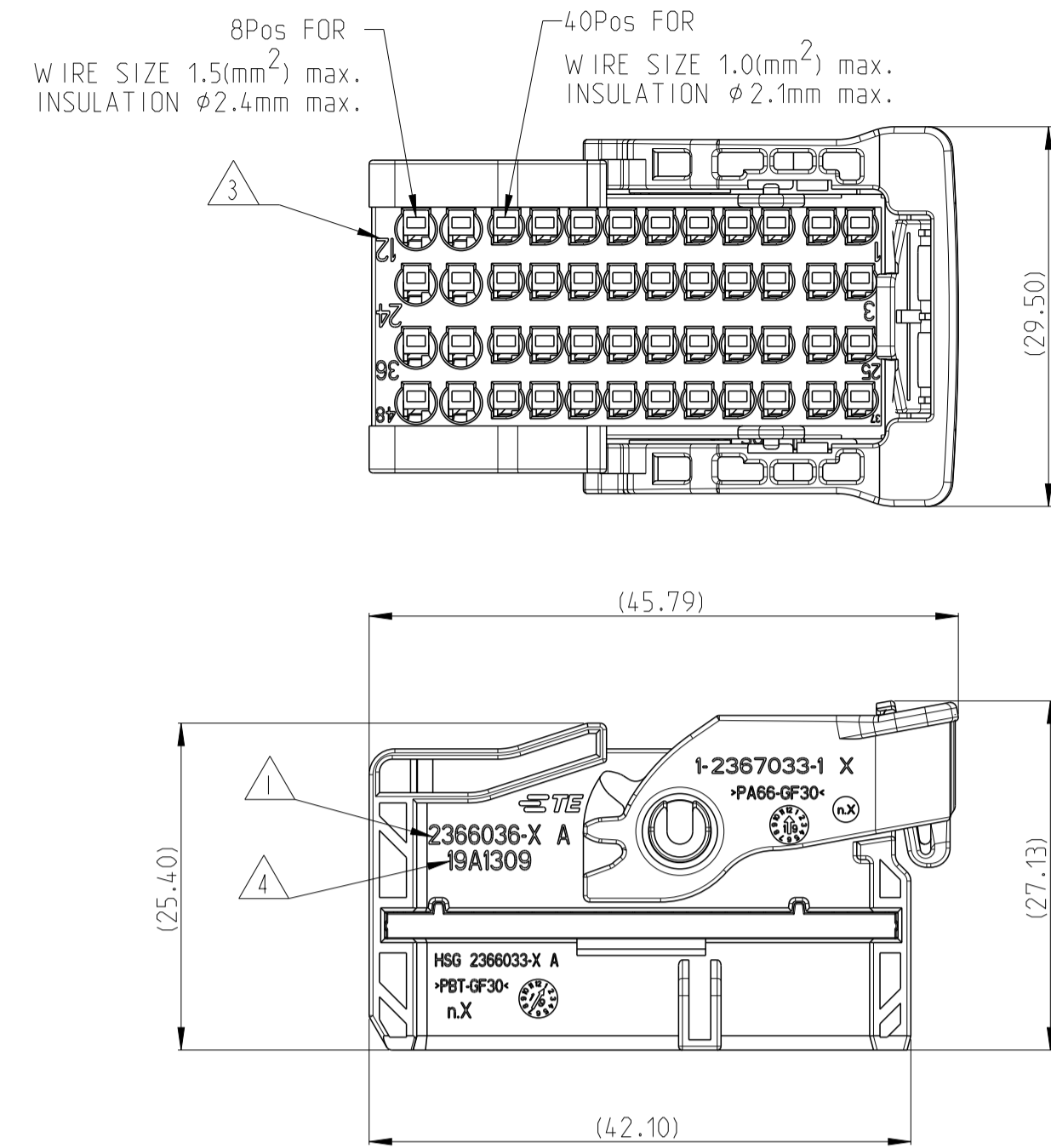


2366036-1 SHOWN AS



| REVISIONS |     |                             |           |          |
|-----------|-----|-----------------------------|-----------|----------|
| P         | LTN | DESCRIPTION                 | DATE      | APP'D    |
| A         |     | INITIAL RELEASE DRAWING     | 15JAN2020 | S.ZH I.Y |
| A1        |     | REVISE                      | 15JAN2021 | S.Z I.Y  |
| B         |     | REVISED PER PCN E-21-004518 | 16APR2021 | S.Z Z.Z  |
| B1        |     | REVISE ECN-22-186969        | 28NOV2022 | W.W Z.Z  |

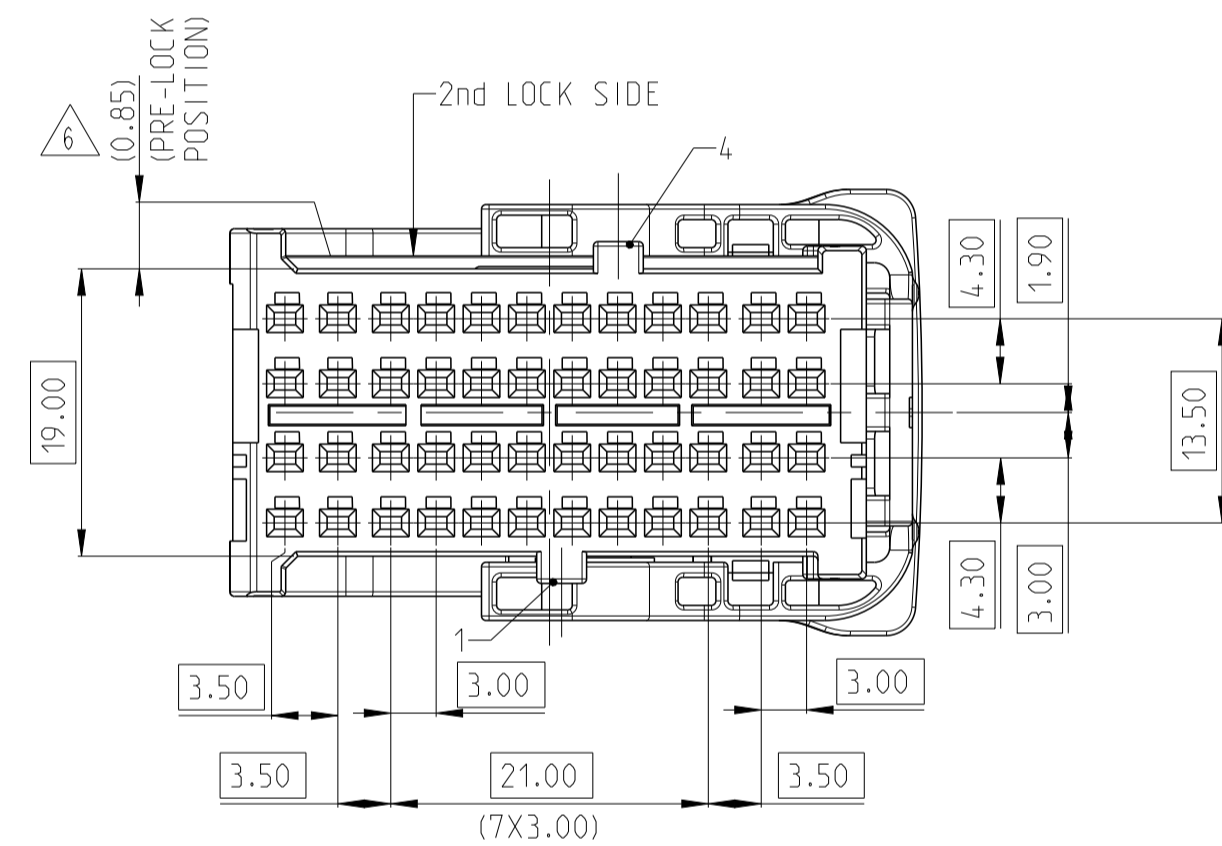
NOTES:

- ASSEMBLY PN AND PART REVISION:  
2366036-X A  
X: X=1, 2, 3, 4 FOR VARIOUS CODE.  
A: PART REVISION. DETAIL SEE TABLE ON THE DRAWING SHEET 1.
- MATERIAL: SEE TABLE ON THE DRAWING SHEET 1.
- IDENTIFICATION FOR CABLE PINOUT.
- THE ASSEMBLY DATE CODE: IDENTIFIES THE YEAR, MONTH, DAY AND HOUR OF ASSEMBLY.  
SUCH AS :19A1309  
19: YEAR, FIRST AND SECOND DIGITS (19=2019)  
A: MONTH, THIRD DIGIT, EXCLUDING "1". A=JAN, B=FEB, C=MARCH...H=AUGUST, J=SEPTEMBER...  
13: DAY, FOURTH AND FIFTH DIGITS(13=13th DAY)  
09: HOUR, SIXTH AND SEVENTH DIGITS(09=09AM)
- INSTALL LEVER AND SECOND LOCK ONTO HOUSING AS SHOWN.
- VERIFY THE SECOND LOCK SEATED ON PRE-LOCK POSITION FOR DELIVERY.  
PULL SECOND LOCK TO PRE-LOCK BEFORE TERMINAL INSERTION IN CASE OF SECOND LOCK BEING HIT TO END-LOCK POSITION.
- APPLICABLE TERMINAL PART NUMBERS AND WIRE SIZE SHOWN AS BELOW FOR RECOMMEND.  
CONSULT TE CONNECTIVITY FOR MORE APPLICATION INFORMATION.

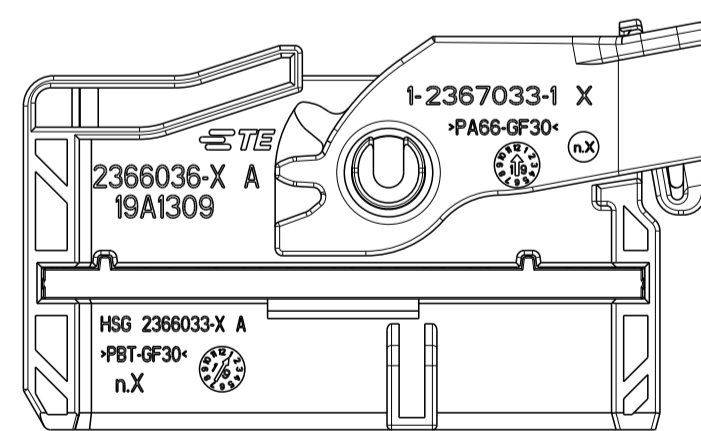
B1

|             |                  |                 |                          |
|-------------|------------------|-----------------|--------------------------|
| 7-1452656-1 | TIN              | 0.50-0.75       | Ø1.40-Ø1.90              |
| 7-1452659-1 | TIN              | 1.0-1.5         | Ø1.90-Ø2.40              |
| TERMINAL PN | TERMINAL PLATING | WIRE SIZE (MM2) | INSULATION WIRES OD (MM) |

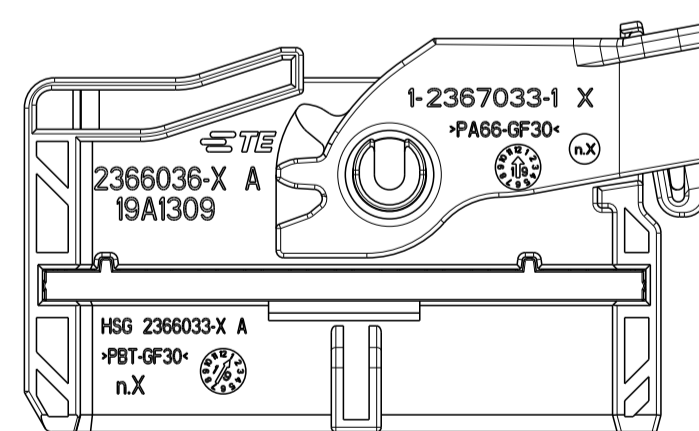
8. THIS PLUG MATES WITH TAB 2366066-X. (X=1, 2, 3, 4 FOR VARIOUS CODE).



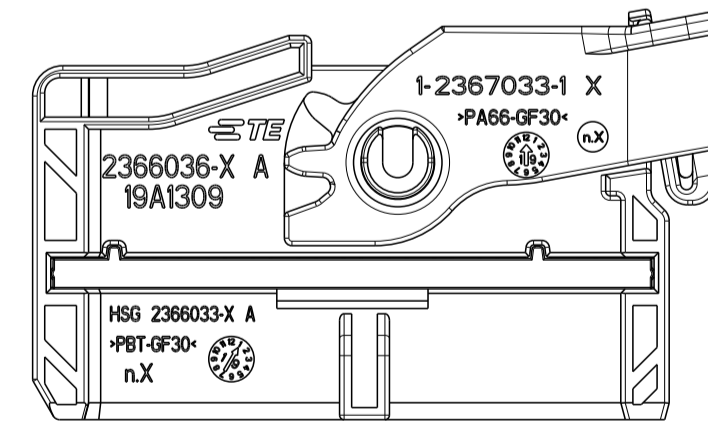
CODING A  
2366036-1



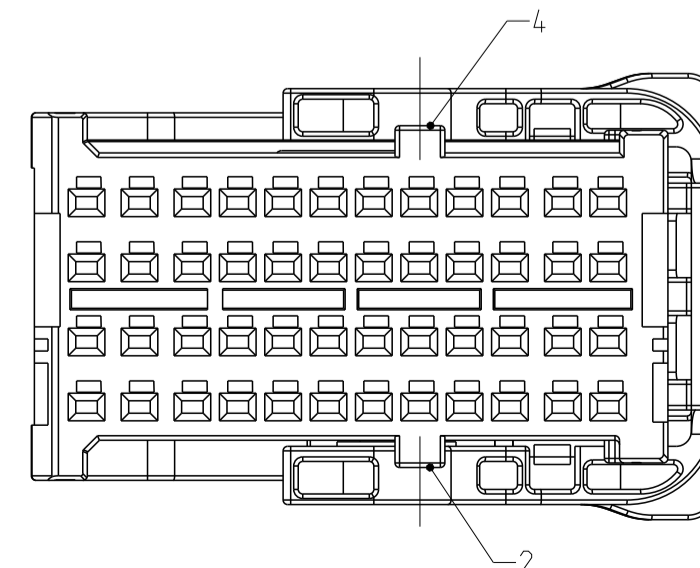
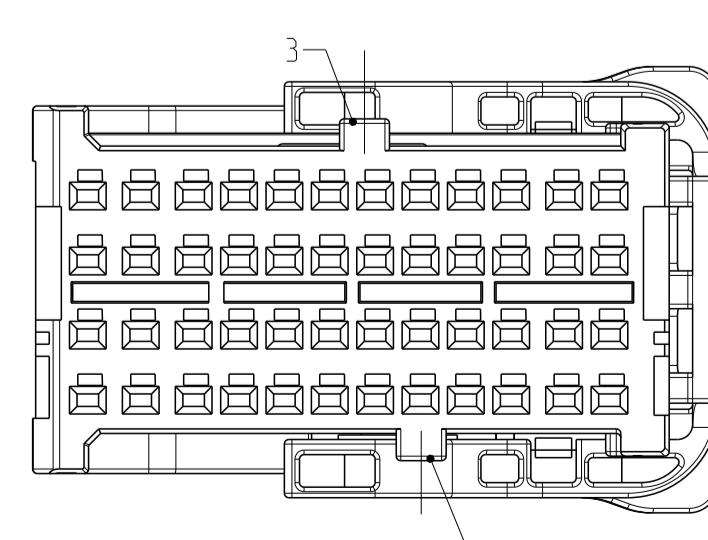
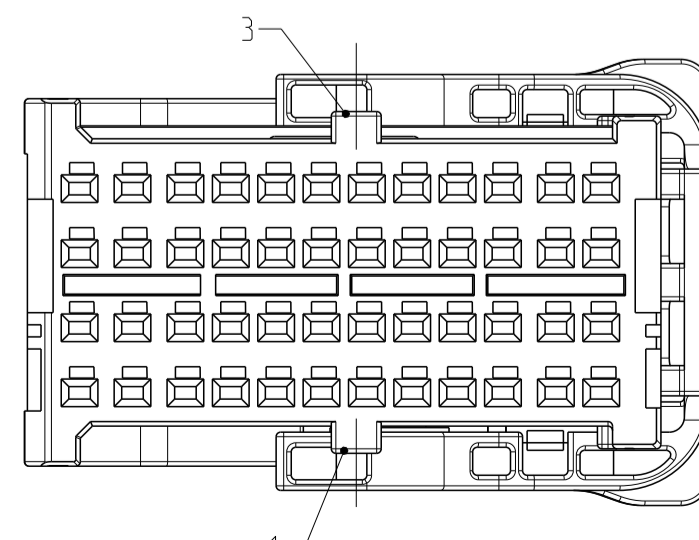
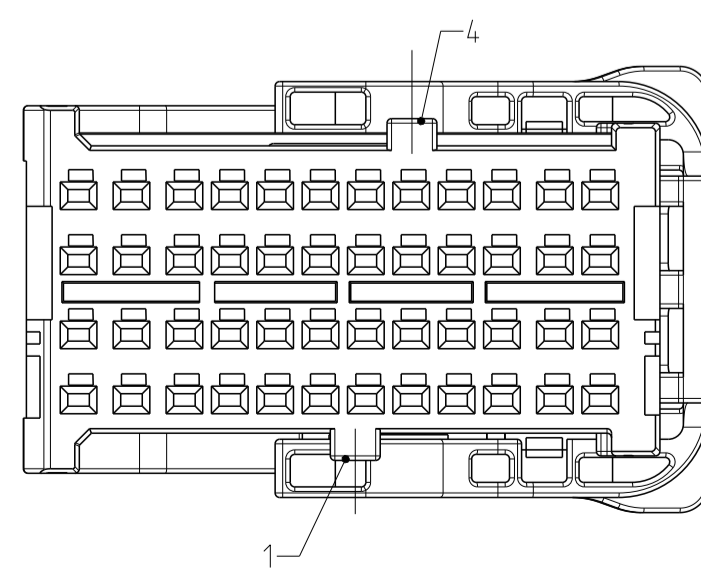
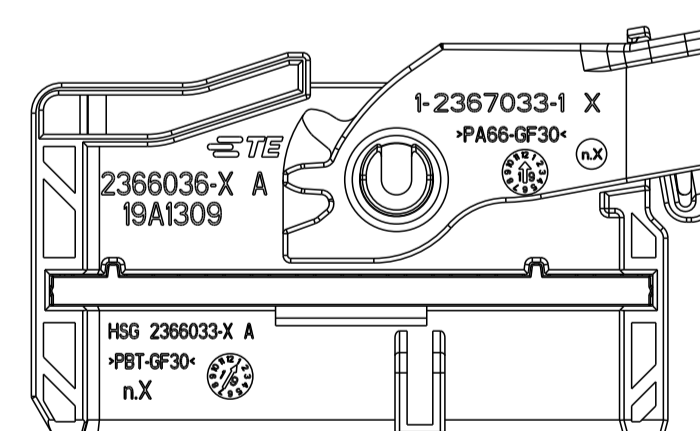
CODING B  
2366036-2



CODING C  
2366036-3



CODING D  
2366036-4



| 1                                      | 1     | 1  | 1     | LEVER  | PA66-GF30 | YELLOW                        | 3       |
|--|-------|--|-------|--|-----------|-------------------------------|---------|
| 1                                      | 1     | 1  | 1     | SECOND LOCK  | PBT-GF30  | YELLOW                        | 2       |
|  | 1     |  |       | HOUSING, CODE D  | PBT-GF30  | BLUE                          | 1       |
|  |       | 1  |       | HOUSING, CODE C  | PBT-GF30  | GREEN                         |         |
|  |       |  | 1     | HOUSING, CODE B  | PBT-GF30  | GRAY                          |         |
|  |       |  | 1     | HOUSING, CODE A  | PBT-GF30  | BLACK                         |         |
| -4                                     | -3    | -2   | -1    | PART NO  | MATERIAL  | COLOUR                        | ITEM NO |
|  |       |  |       | CODING   |           |                               |         |
| B                                      | B     | B  | B     | REVISION OF EACH ASSY NO (WHEN BLANK, USE DWG REVISION)  |           |                               |         |
| 19.41                                  | 19.41 | 19.41  | 19.41 | WEIGHT OF EACH ASSY NO. (g)  |           |                               |         |
| QTY REQD PER ASSY                      |       |  |       | PARTS LIST   |           |                               |         |
| THIS DRAWING IS A CONTROLLED DOCUMENT. |       |  |       | DWN S.ZHANG 03JAN2020<br>CHK E.JIANG 03JAN2020<br>APVD LYJIN 03JAN2020   |           |                               |         |
| DIMENSIONS:                            |       | TOLERANCES UNLESS OTHERWISE SPECIFIED:   |       | TE Connectivity<br>NAME 48POS. MCON 1.2LL, PLUG HSG ASSY UNSEALED, CONNECTOR<br>PRODUCT SPEC 108-32618<br>APPLICATION SPEC 116-32365 |           |                               |         |
| mm                                     |       | 0 PLC ±0.5<br>1 PLC ±0.3<br>2 PLC ±0.20<br>3 PLC ±0.100<br>4 PLC ±0.0500<br>ANGLES ±0.5° |       | SIZE CAGE CODE DRAWING NO  |           | RESTRICTED TO                 |         |
| MATERIAL                               |       | FINISH   |       | WEIGHT   |           | SCALE 2:1 SHEET 1 OF 1 REV B1 |         |
| CUSTOMER DRAWING                       |       |  |       | A 00779 C=2366036  |           |                               |         |