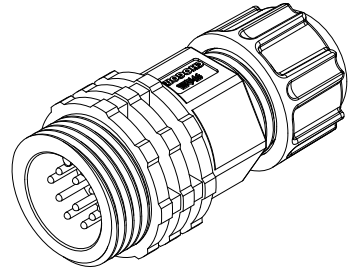
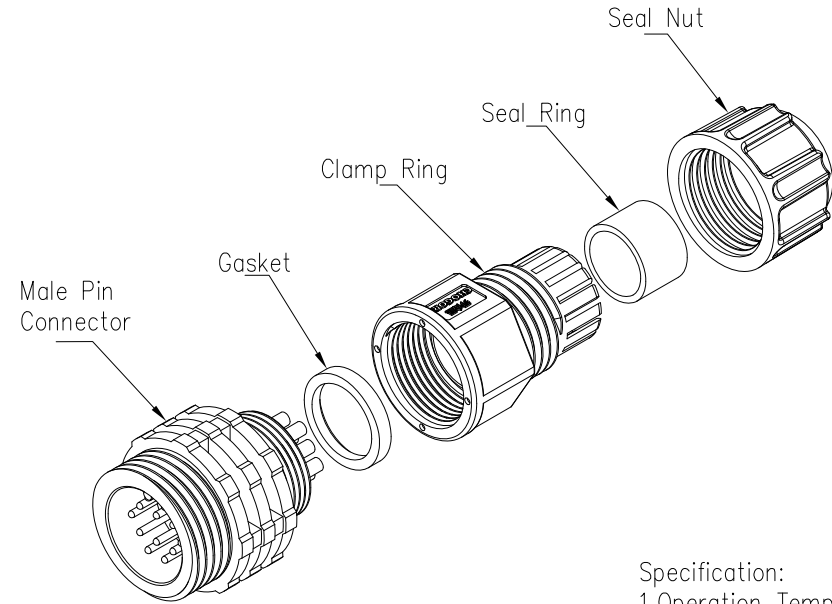
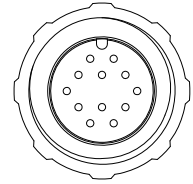
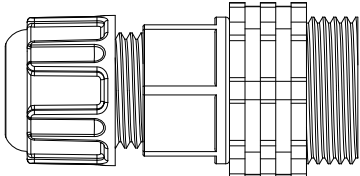
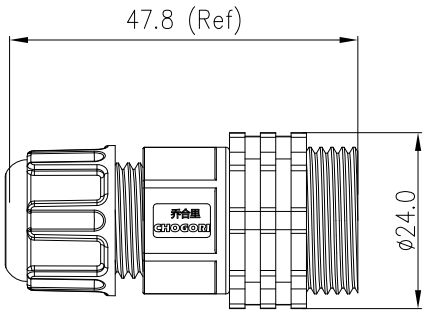


REV.	ECN NO.	DESCRIPTION	SIGN	DATE
C1	N/A	INITIAL DRAWING	Hary	2020/05/19



- Specification:
- 1.Operation Temperature: -45°C~105°C.
 - 2.Insulation Resistance:100MΩ at DC500V.
 - 3.Contact Resistance:<10mΩ
 - 4.Withstand Voltage: 1000V AC
 - 5.Operating Current: 5A(12Pin)/2A(18Pin)
 - 6.Operating Voltage: AC 30V
 - 7.Waterproof Rate:IP67 (Mated)
 - 8.Seal Nut:Nylon, Black
 - 9.Seal Ring:Silicon, Black.
 - 10.Clamp Ring:Nylon, Black
 - 11.Gasket:Silicon, Red
 - 12.Male Pin:Copper Alloy, Gold Plated
 - 13.Connector:Nylon+GF, Black
 - 14.RoHS Compliant.
 - 15.Mating Cap: 806-00052-00

23XXX311-XX Cable Range OD
 01 OD: φ3.5mm~φ6.5mm
 02 OD: φ6.5mm~φ9.5mm
 Pin Number

12 Pin	18 Pin
P/N: 23012311-XX	P/N: 23018311-XX
Pin Assignments Front View	

UNIT:mm		DESCRIPTION Middle Series Screw Female Plug With Male Pin
TOLERANCE .X ±0.25 .XX ±0.15 .XXX ±0.05 ANGLES ±1°	SCALE: 1:1	SHEET 1 OF 1
REV. C1	SIZE A4	* :Inspection Item



PART NO	23XXX311-XX	DRAWN BY	Hary	DATE	2020/05/19
DWG NO		CHECKED BY	Mo	DATE	2020/05/19
CUSTOMER		APPROVED BY	Panson	DATE	2020/05/19

THIS INFORMATION IS CONFIDENTIAL AND IS DISCLOSED TO YOU ON CONDITION THAT NO FURTHER DISCLOSURE IS MADE BY YOU TO OTHER THAN CHOGORI PERSONNEL WITHOUT AUTHORIZATION FROM CHOGORI CORP.