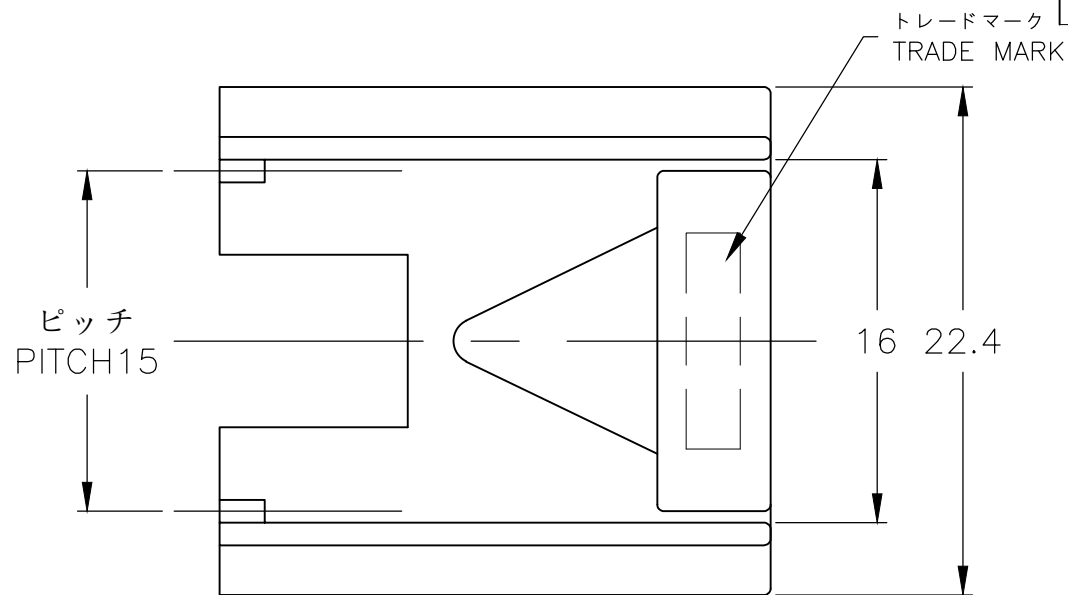
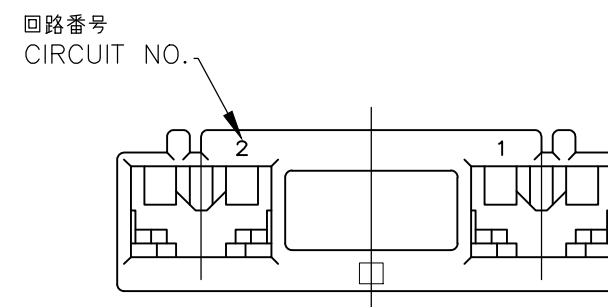
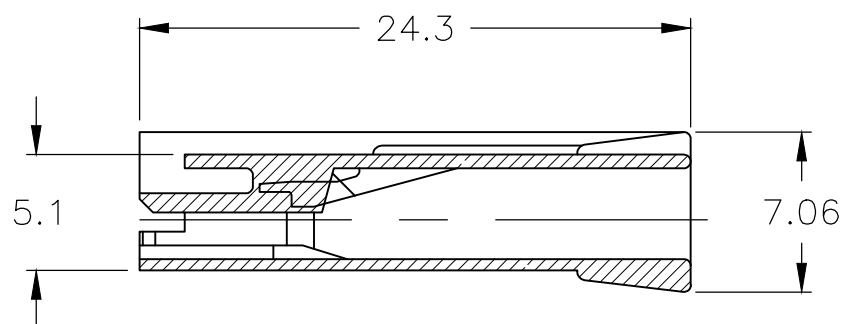
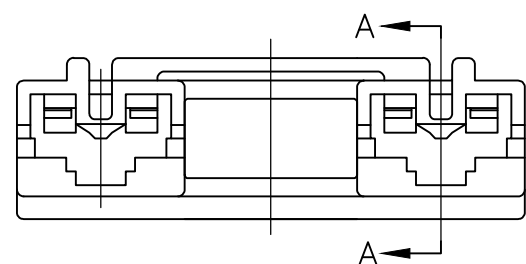


THIS DRAWING IS UNPUBLISHED. RELEASED FOR PUBLICATION  
 © COPYRIGHT - By - ALL RIGHTS RESERVED.

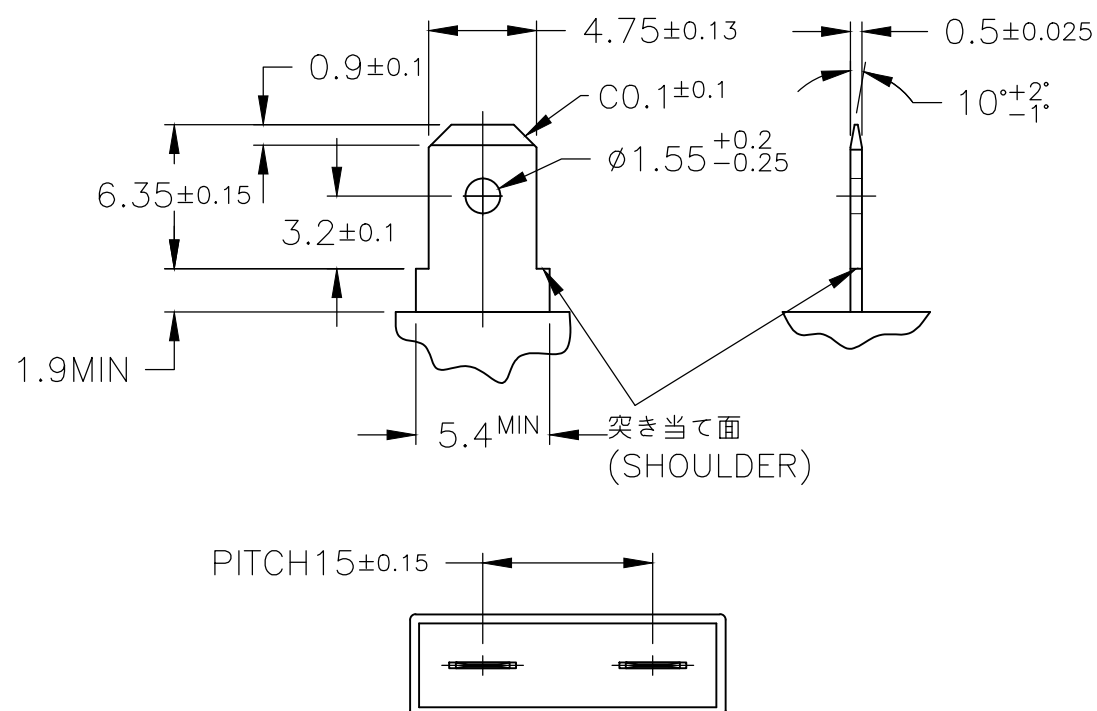
REVISIONS 変更				
P	LTR	DESCRIPTION	DATE	APVD
	B1	REVISED PER ECR-18-011401	24JUL2018	BDA DS



NOTES  
 1. APPLICABLE CONTACT PART NUMBER : 170324-X, 170325-X, 170326-X  
 △ BLUE PARTS MAY APPEAR MEDIUM BLUE TO LIGHT BLUE TO LIGHT GRAY IN COLOR AND MAY ALSO EXHIBIT A MARBLING EFFECT



タブ推奨図  
RECOMMENDED TAB



SUPERSEDED BY 2-176498-6

66NYLON UL94V-0 Natural	BLUE	2-176498-6
66NYLON (UL94V-0)	△ BLUE	<del>1-176498-6</del>
66NYLON (UL94V-2)	黄色 (YELLOW)	3-176498-4
66NYLON (UL94V-0)	青色 (BLUE)	176498-6
	黄色 (YELLOW)	176498-4
	黒色 (BLACK)	176498-2
	自然色 (NATURAL)	176498-1
材料 (MATERIAL)	色調 (COLOR)	型番(PART NUMBER)

THIS DRAWING IS A CONTROLLED DOCUMENT.		DWN J.SATO 07SEP2007	<b>STE</b> TE Connectivity Ltd.	
DIMENSIONS: 単位: 耗 mm		CHK S.MANABE 07SEP2007		
TOLERANCES UNLESS OTHERWISE SPECIFIED: 一般公差		APVD S.MANABE 07SEP2007	NAME 名称 187 SERIES POSITIVE LOCK MK-II 2P REC HSG	
0 PLC ± 1 PLC 10以下 ±0.2 20 30以下 ±0.25 30 100以下 ±0.3 4 PLC ± ANGLES ±3'		PRODUCT SPEC 製品規格 108-5126	DRAWING NO 番号 A300779 C-176498	
MATERIAL 材料 SEE TABLE		FINISH 仕上	APPLICATION SPEC 取付適用規格	RESTRICTED TO
CUSTOMER DRAWING		WEIGHT	SCALE 尺度 3:1	SHEET 1 OF 1
				REV B1