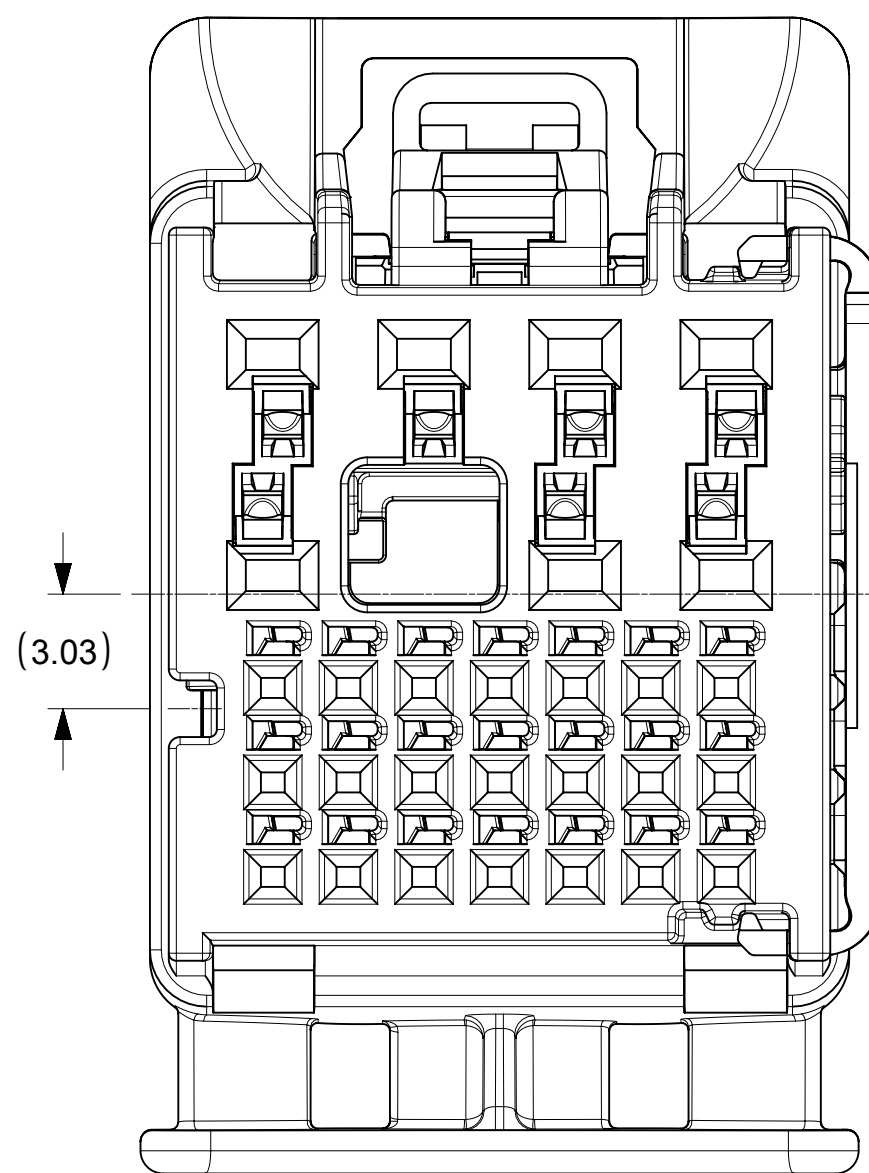
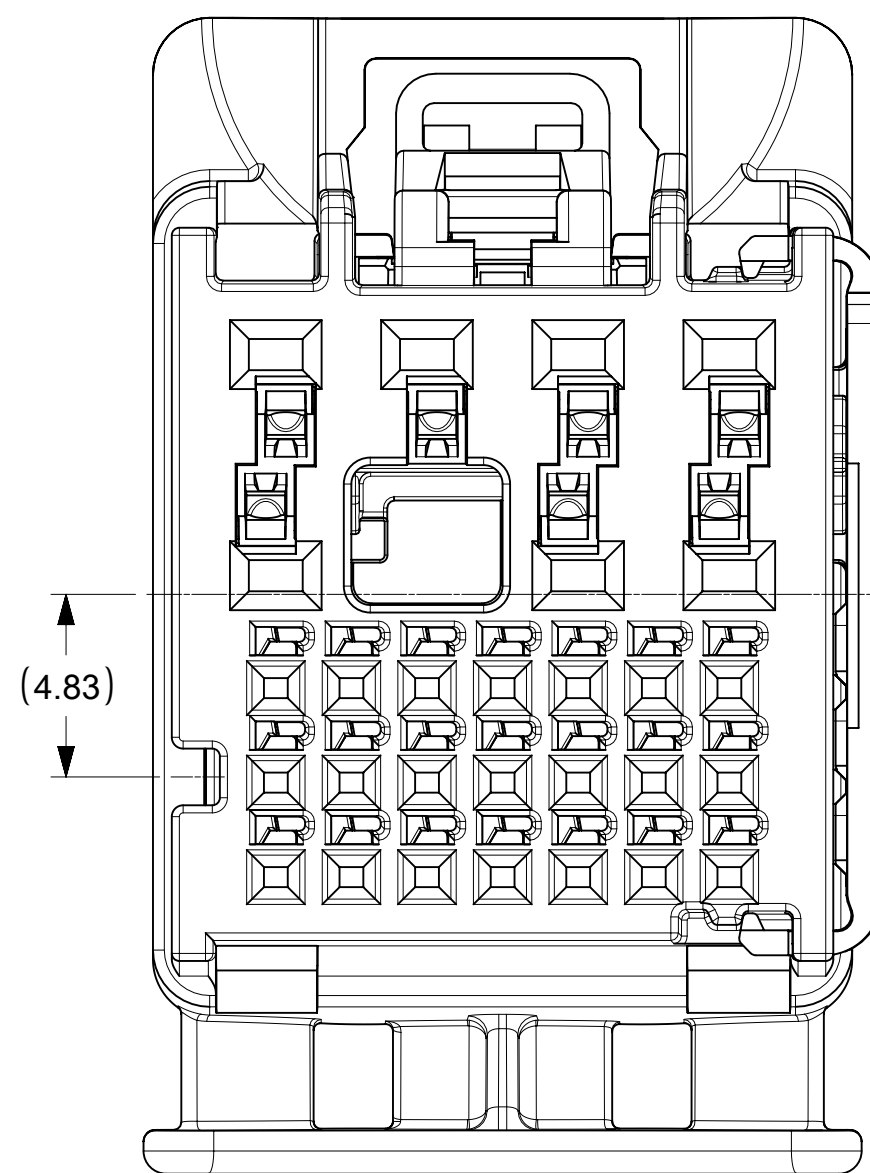


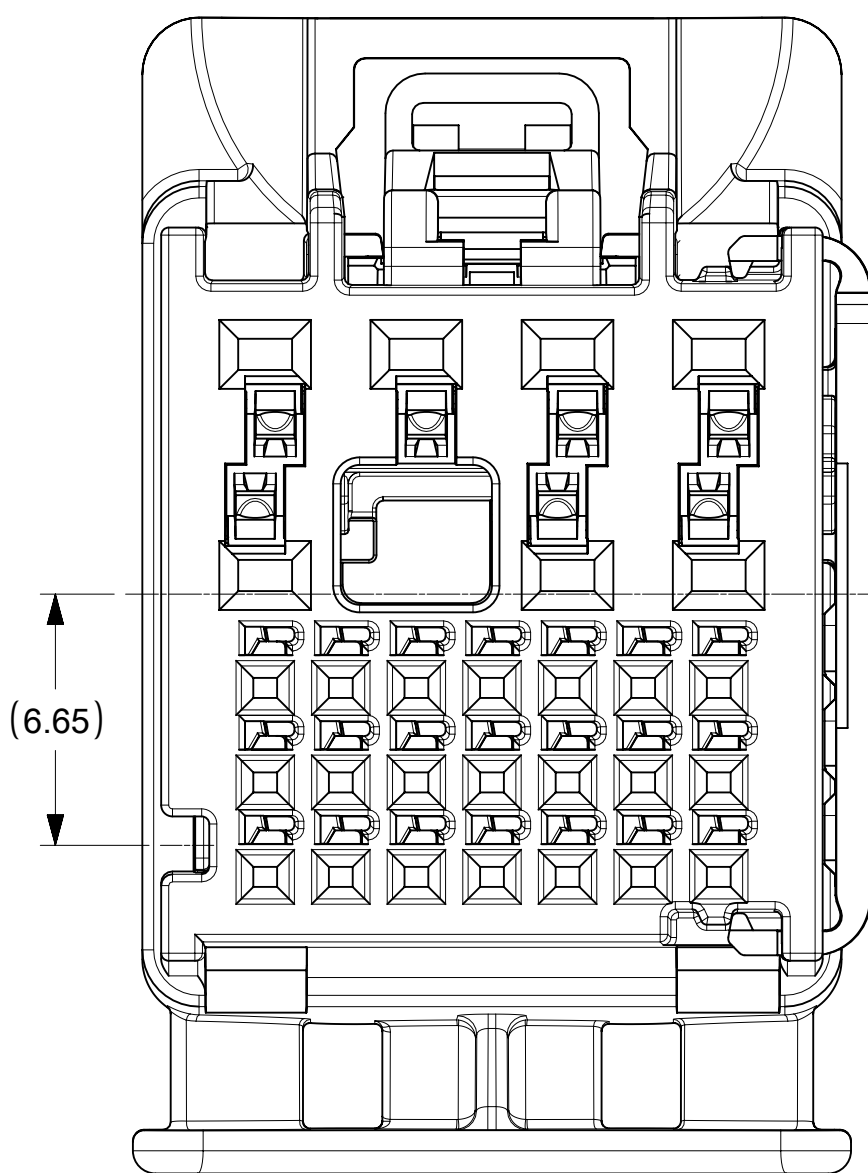
28 WAY CONNECTOR ASSY  
KEY 1  
P/N 1600140011



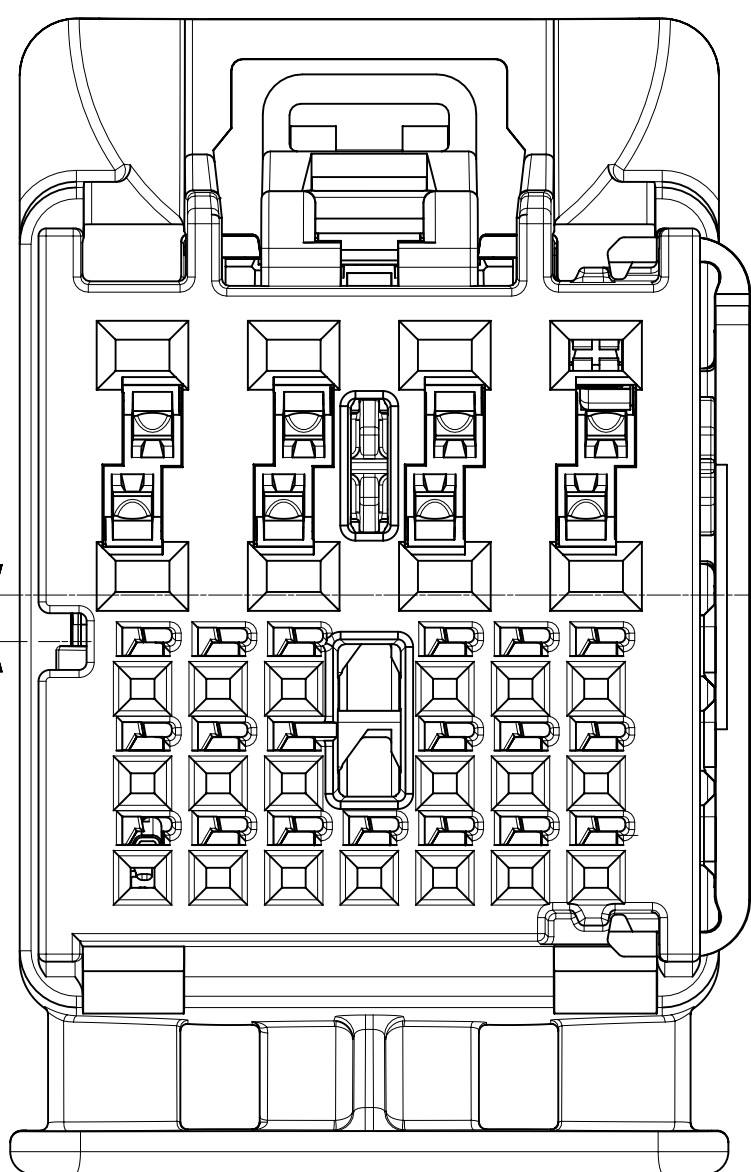
28 WAY CONNECTOR ASSY  
KEY 2  
P/N 1600140012



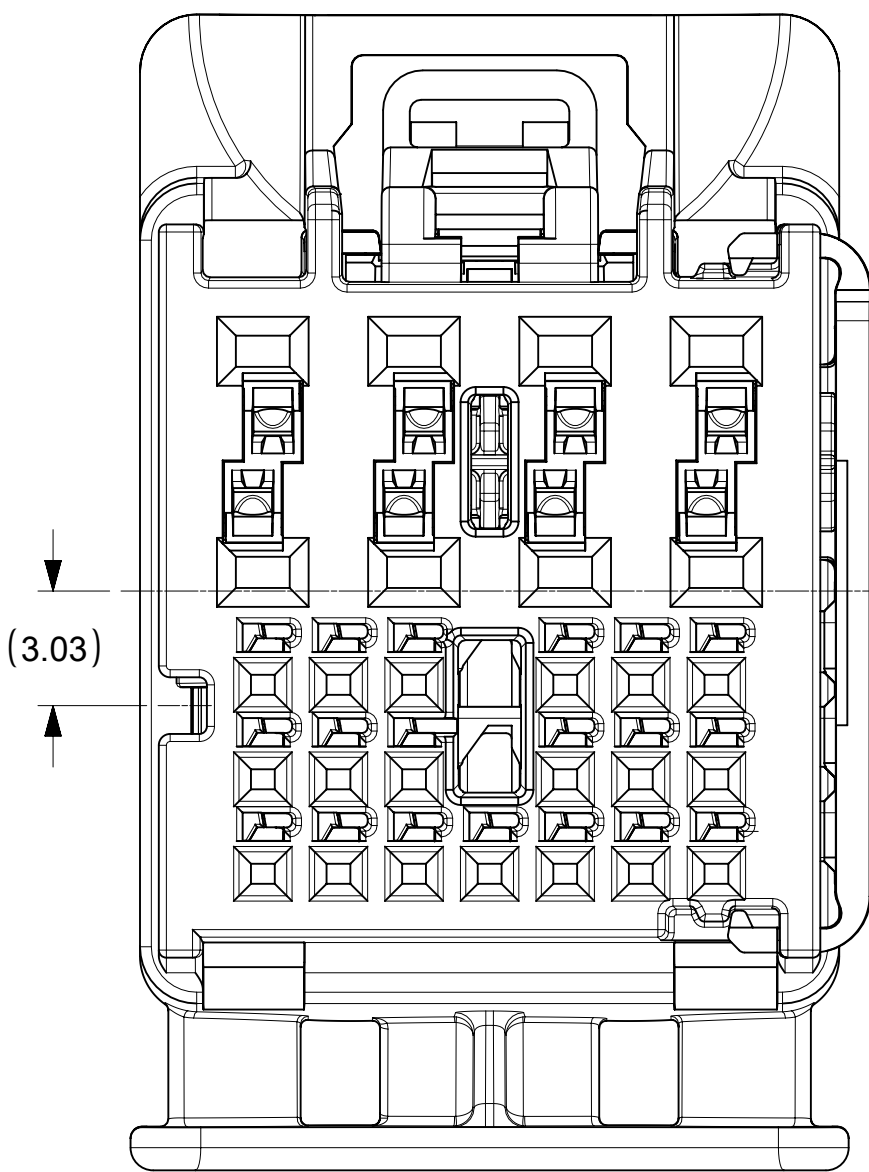
28 WAY CONNECTOR ASSY  
KEY 3  
P/N 1600140013



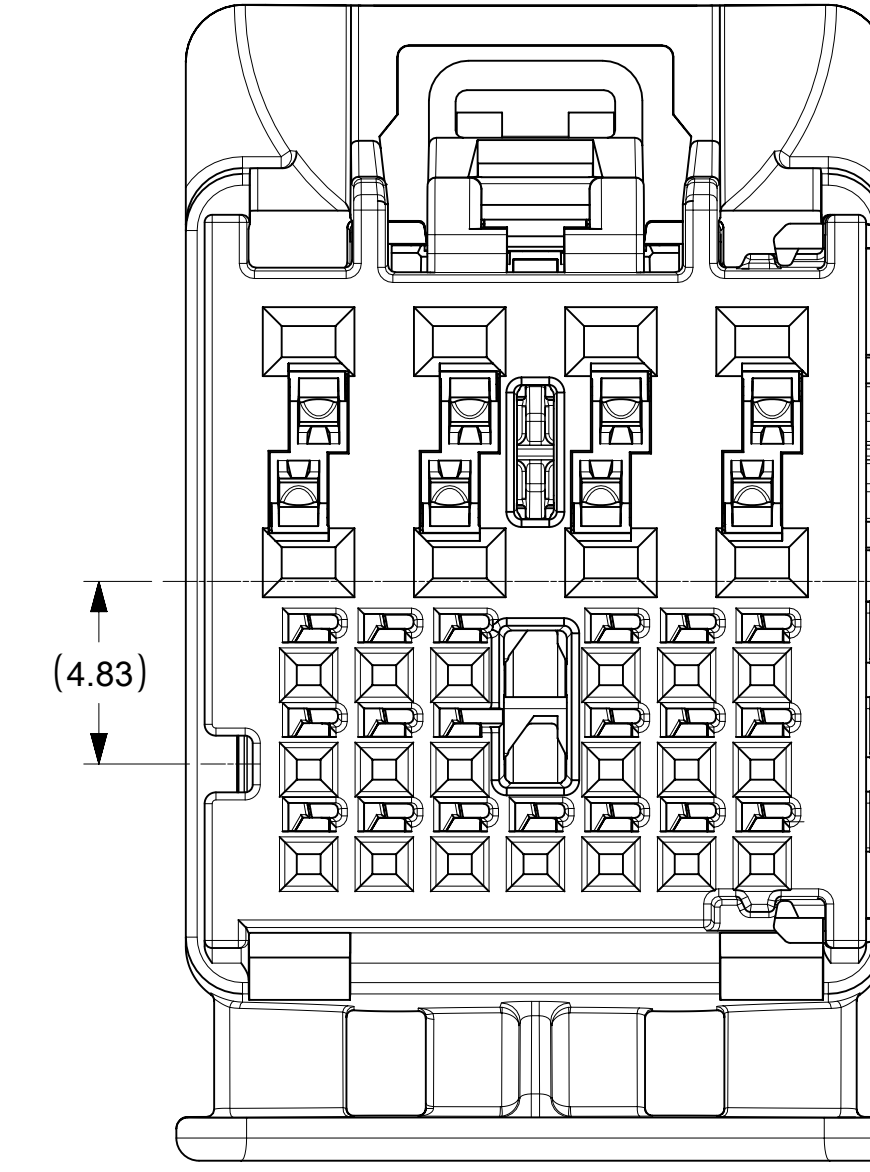
28 WAY CONNECTOR ASSY  
KEY 4  
P/N 1600140014



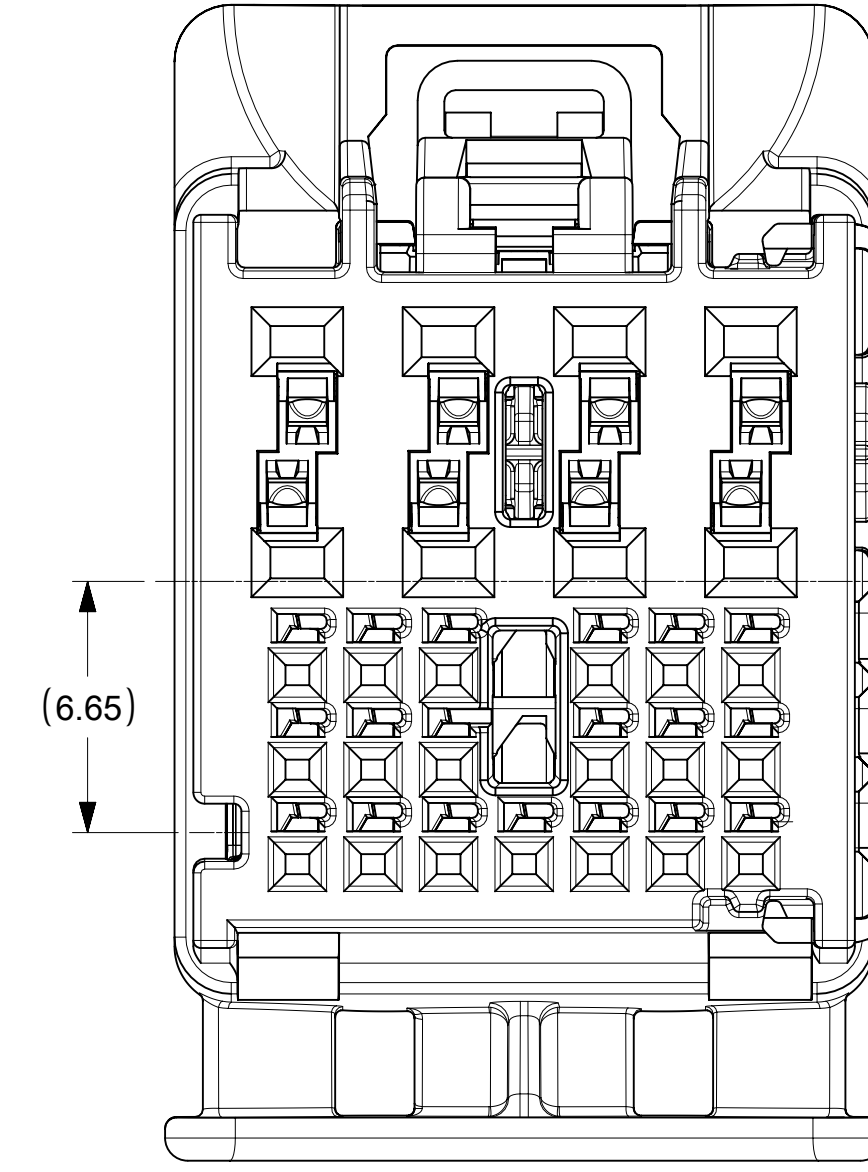
27 WAY CONNECTOR ASSY  
KEY 1  
P/N 1600290011



27 WAY CONNECTOR ASSY  
KEY 2  
P/N 1600290012



27 WAY CONNECTOR ASSY  
KEY 3  
P/N 1600290013



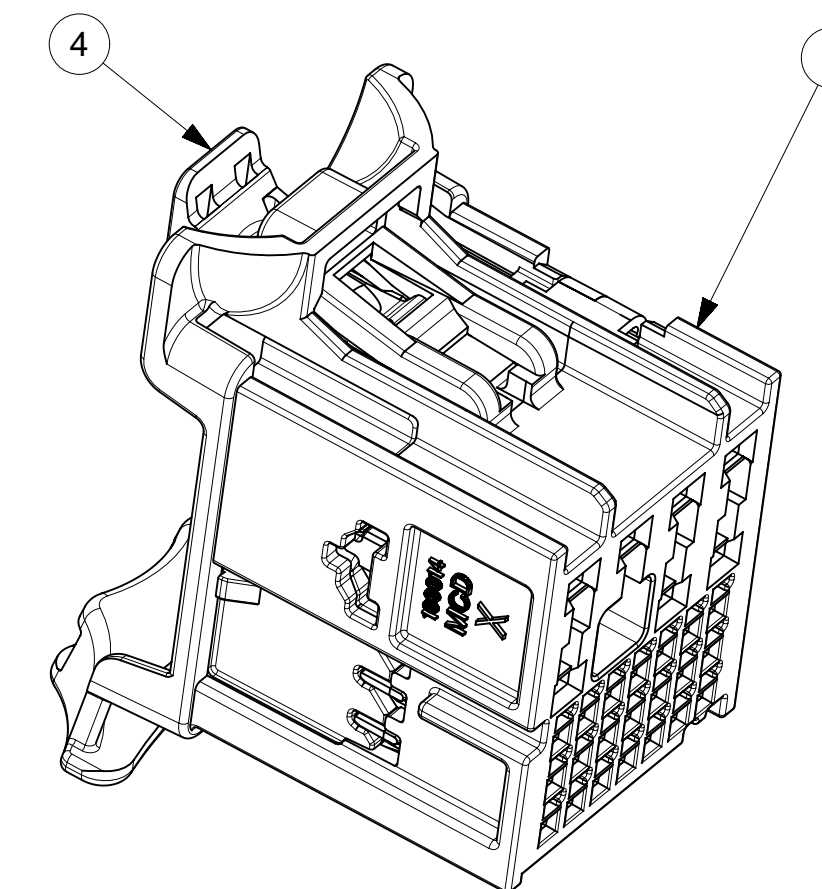
27 WAY CONNECTOR ASSY  
KEY 4  
P/N 1600290014

PART NUMBER	PLATING	SUPPLIER	WIRE GAGE (mm2)	TERMINAL FAMILY	WIRE SPECIFICATION
200096-3101	TIN PLATING	MOLEX	0.35	TAK FAMILY (0.5 mm)	VW 60306 or GMW 15626 (SEE APPLICATION SPECIFICATION FOR MORE DETAILS)
200096-3201	TIN PLATING	MOLEX	0.13	TAK FAMILY (0.5 mm)	
2272196-2	TIN PLATING	TE	0.35	Generation 50 Locking Lance (0.5mm)	SAE/ J1128 THIN WALL INSULATION
2272196-1	TIN PLATING	TE	0.13	Generation 50 Locking Lance (0.5mm)	
35072403	TIN PLATING	DELPHI	0.35 - 0.5	TAXI TERM OCS 1.2	
35072404	TIN PLATING	DELPHI	0.75 - 0.8		
35072405	TIN PLATING	DELPHI	0.8 - 1.0		
35072406	TIN PLATING	DELPHI	1.25 - 1.5		GMW 15626 INSULATION TYPE FLR (REGULAR THIN WALL)
SMSA-A031T-M1.2	TIN PLATING	JST	0.5 - 0.75	MSA 1.2mm TERMINAL	
SMSA-A041T-M1.2	TIN PLATING	JST	1.0 - 1.5	MSA 1.2mm TERMINAL	

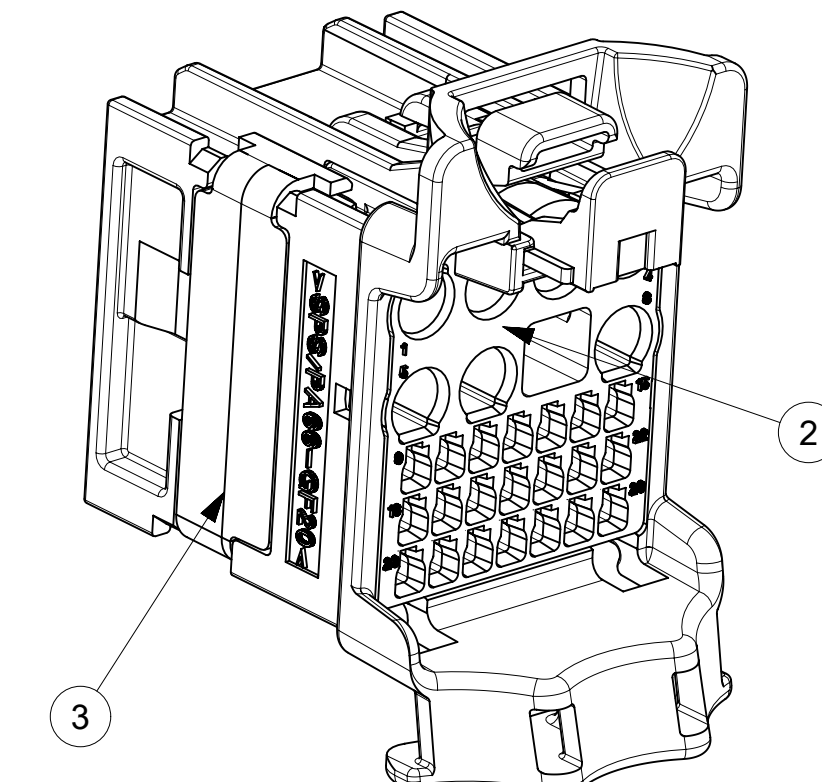
NOTES: VALID UNLESS OTHERWISE SPECIFIED

27WAY/28WAY ARE DEPOPULATED VARIANTS OF THE 29WAY

- GENERAL:
  - APPLICATION SPECIFICATION SEE: AS-160014-001
  - PRODUCT SPECIFICATION SEE: PS-160014-001
  - PACKAGING SPECIFICATION PER MOLEX DRAWING: PK-31302-266
  - PARTS MUST BE IN COMPLIANCE TO MOLEX CHEMICAL SUBSTANCES FOR PRODUCTS AND PACKAGING SPECIFICATION: ES-40000-5016
  - DATA MUST BE SUBMITTED UNDER THE MOLEX PART NUMBER TO IMDS (COMPANY ID#13255)
- DESIGN - MATERIALS:
  - SEE BOM TABLE
- DESIGN - GEOMETRY:
  - ALL GRAPHIC DATA IS BASIC (NO TOLERANCE) AND MUST BE TAKEN FROM THE DATA FILE AT ITS LATEST REVISION.
  - PRODUCT DESIGN MODEL NUMBER(S): SEE BOM TABLE
  - GEOMETRIC DIMENSIONS AND TOLERANCES PER ASME Y14.5-2009
  - EDGES AND UNDIMENSIONED DETAILS PER ISO13715
  - CORNERS SHOWN AS SHARP TO BE R 0.2 MAX.
  - MARKED TEXT TO INCLUDE RECYCLING CODE, CAVITY ID, VENDOR IDENTIFICATION, AND CUSTOMER MATERIAL NUMBER.
    - LASER ETCHED DATE CODE
      - 1ST THROUGH 2ND DIGIT = CALENDAR YEAR
      - 3RD THROUGH 5TH DIGIT = "DAY #" OF YEAR
      - 6TH THROUGH 7TH DIGIT = HOUR OF DAY
      - 8TH THROUGH 9TH DIGIT = MINUTE OF HOUR
      - 10TH THROUGH 11TH DIGIT = SECOND OF MINUTE
- DESIGN - MANUFACTURING:
  - VISUAL DEFECTS SHALL MEET COSMETIC STANDARD PS-45499-002 (Class B)



SCALE 3:1



SCALE 3:1

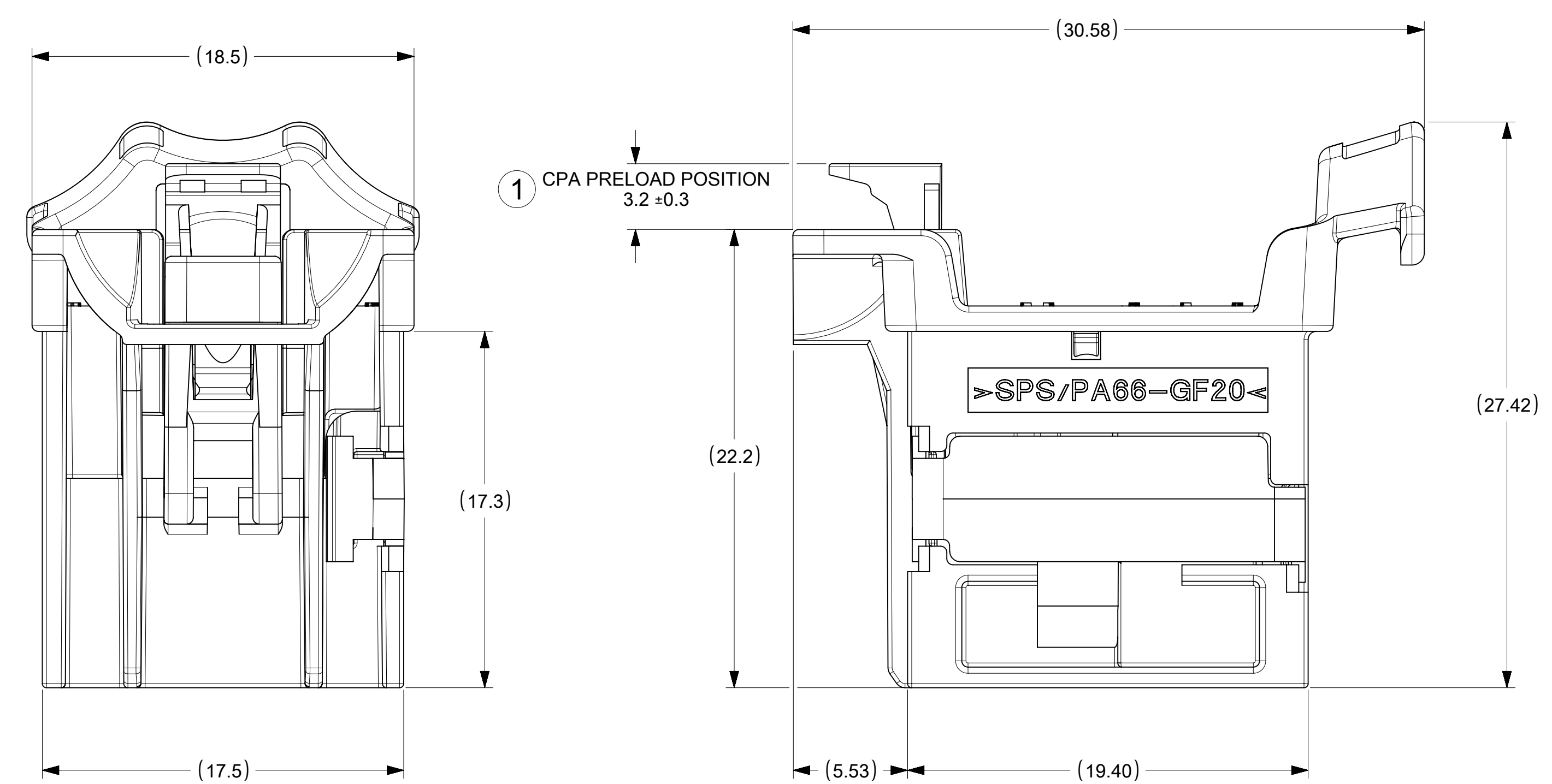
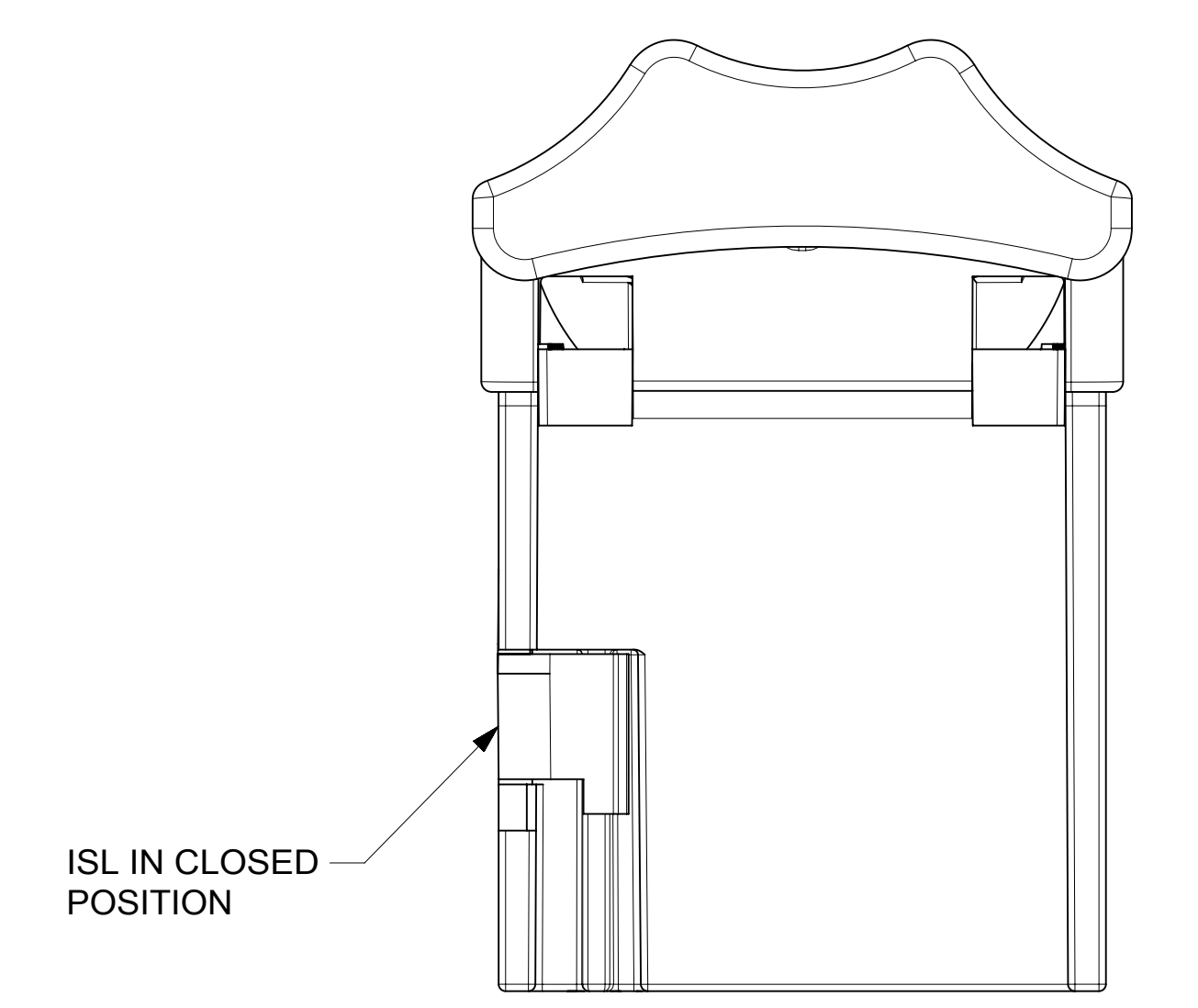
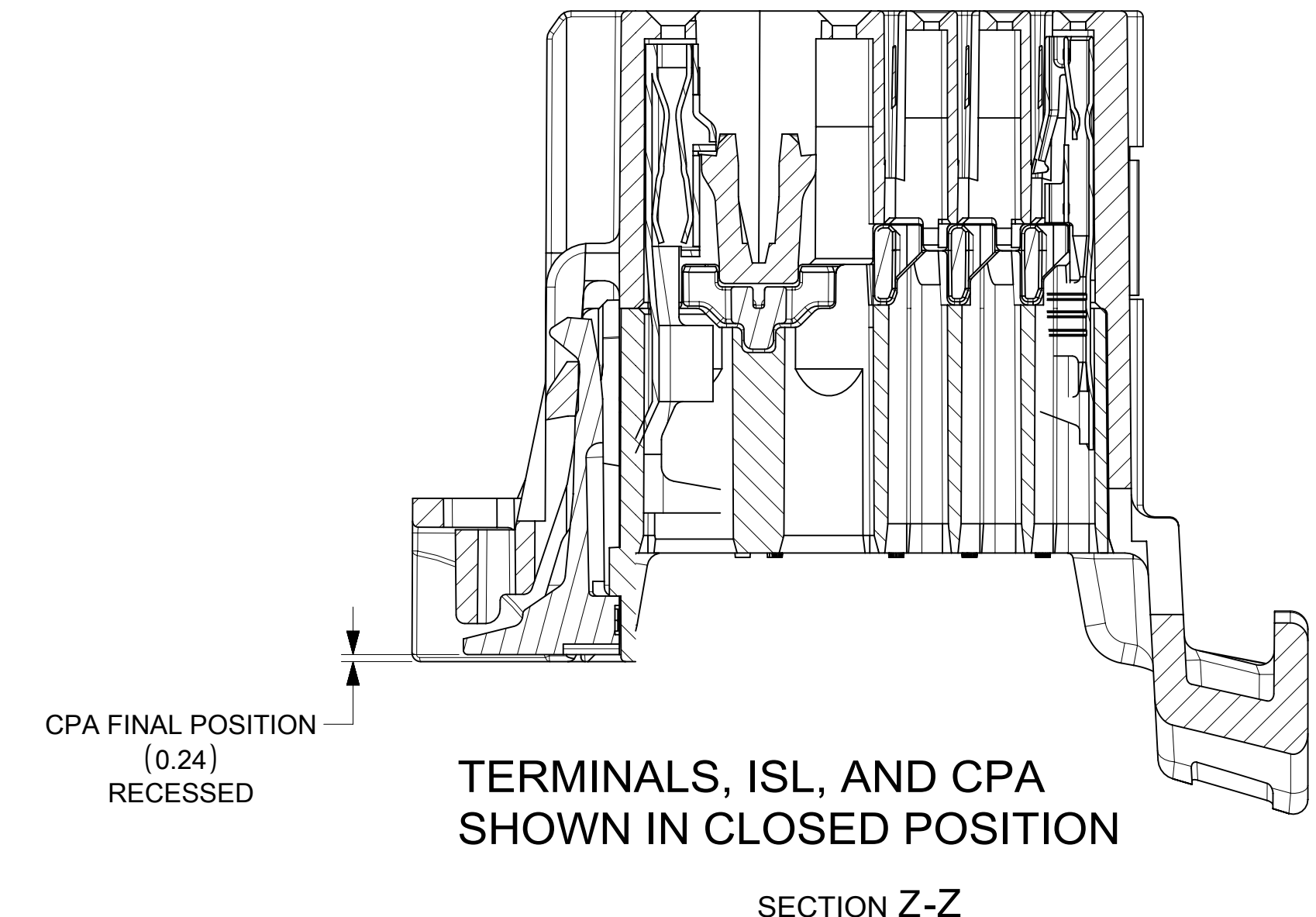
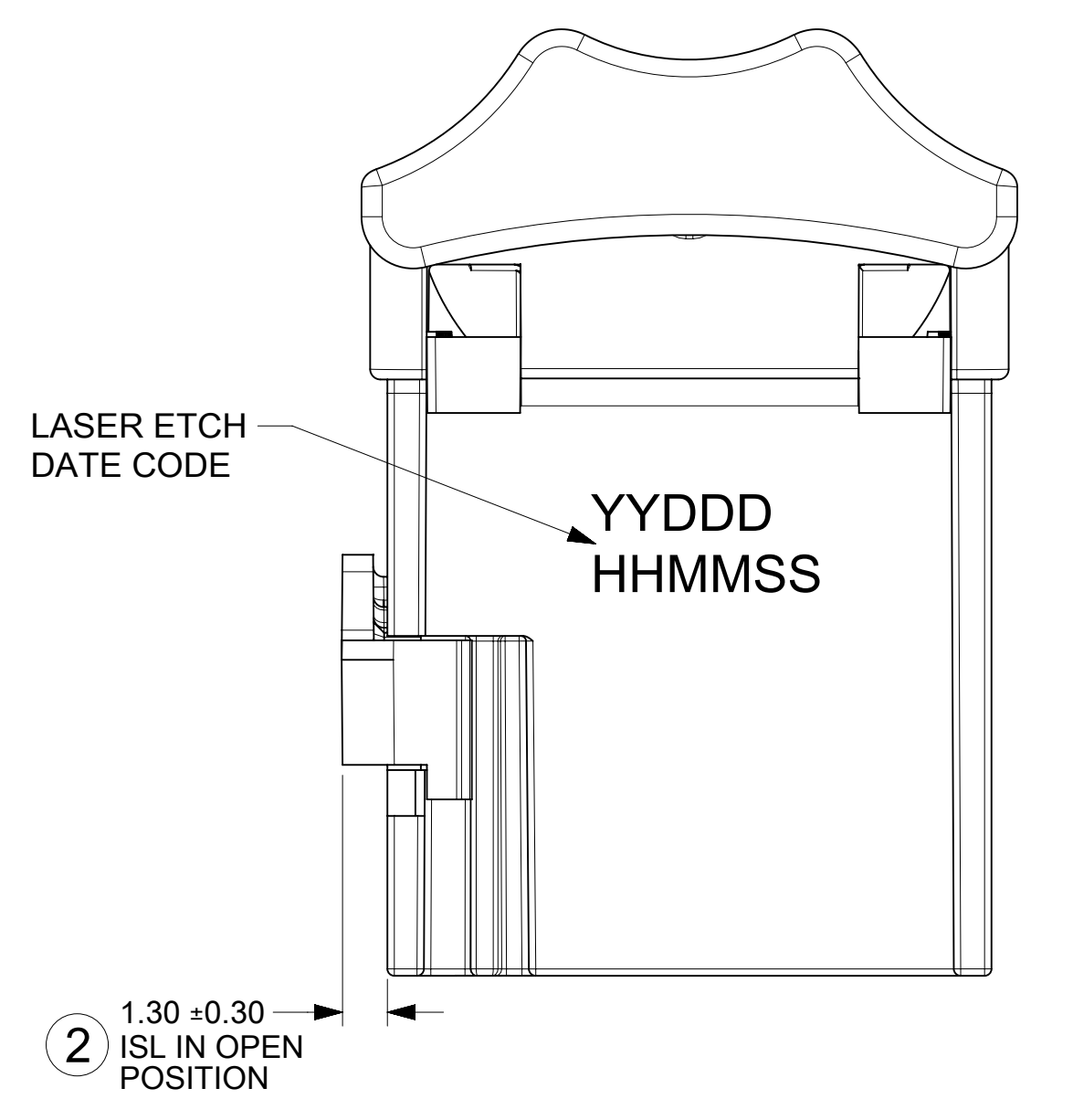
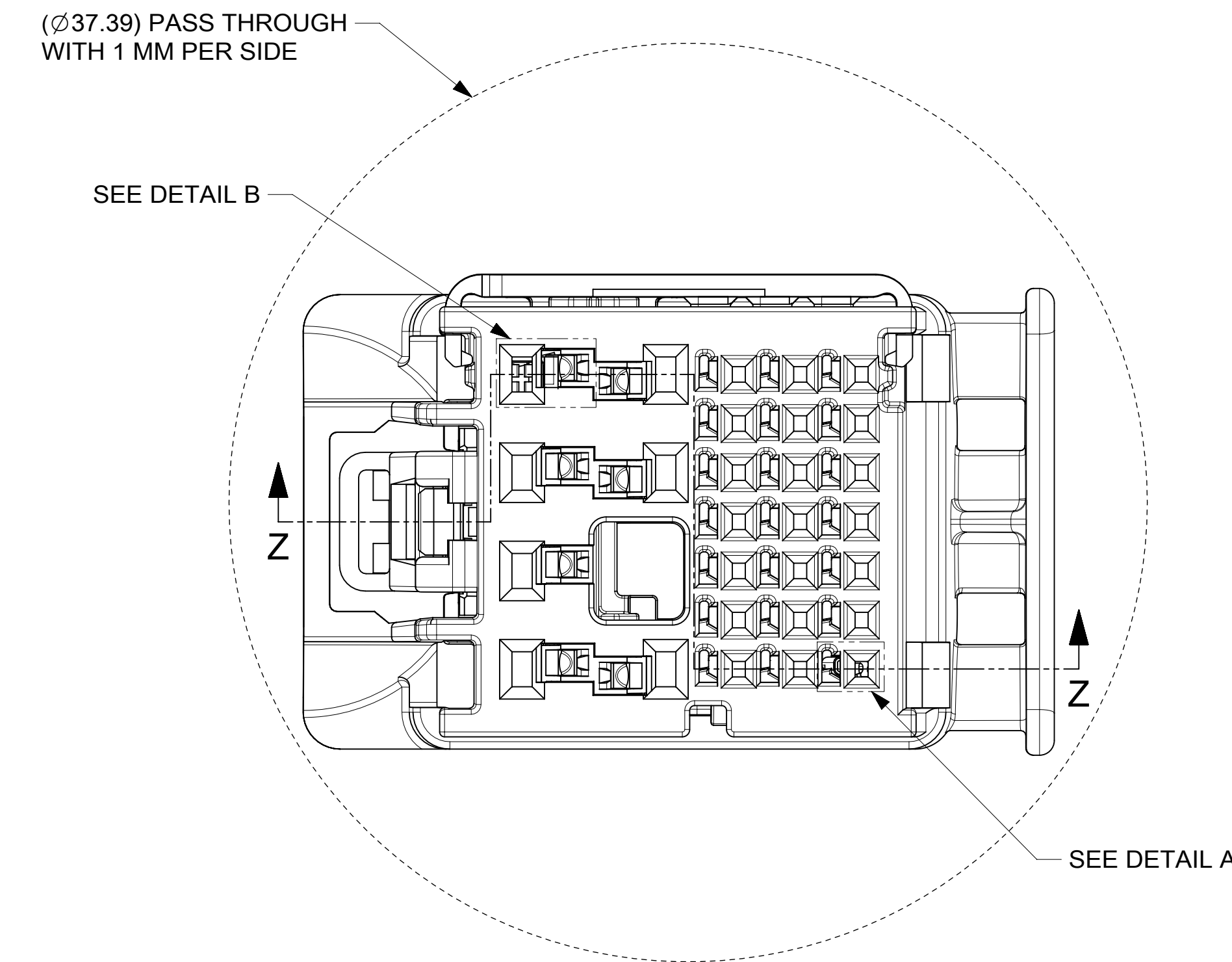
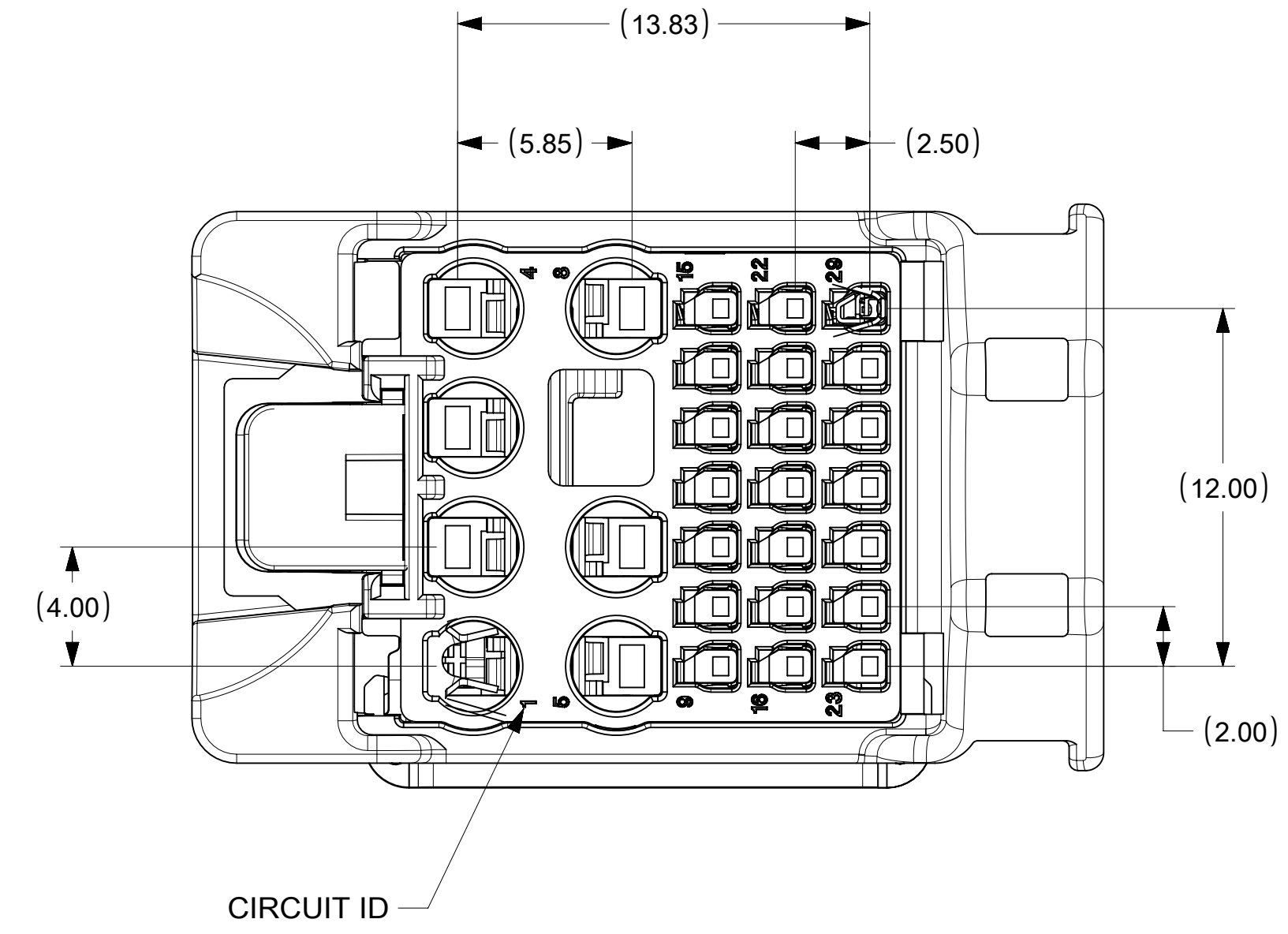
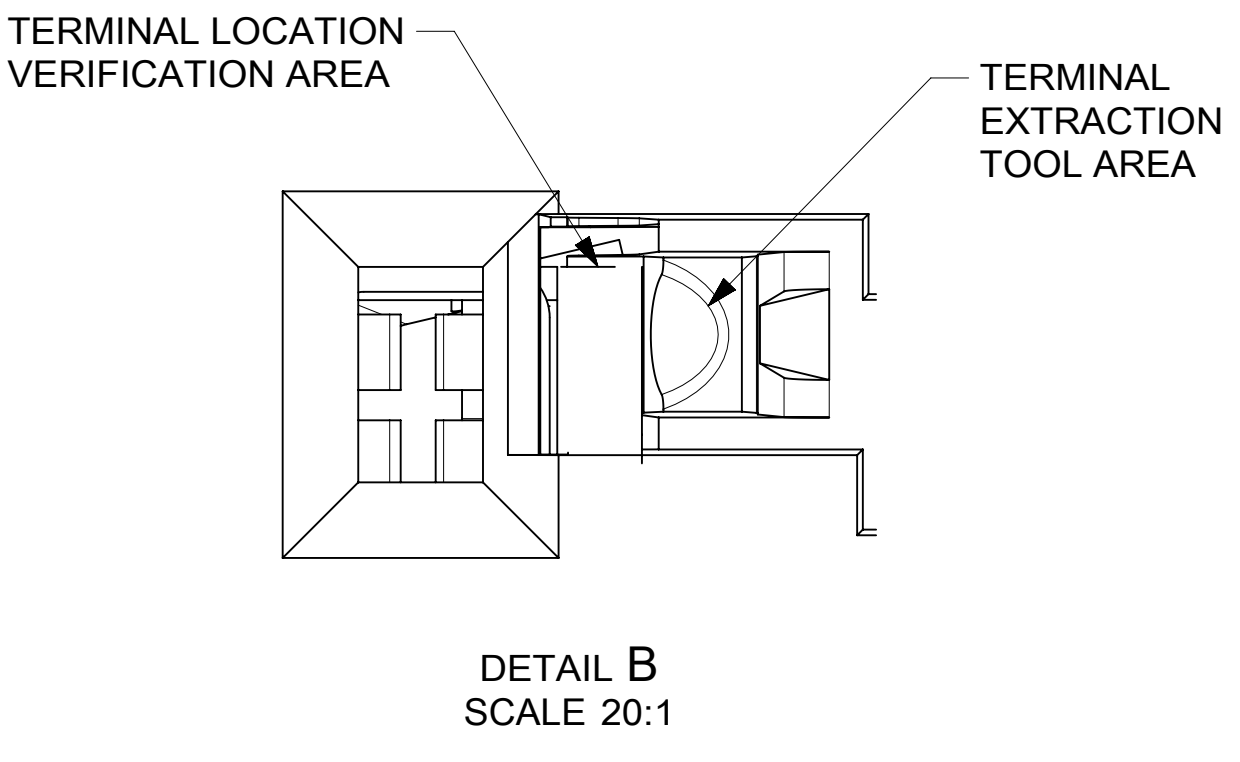
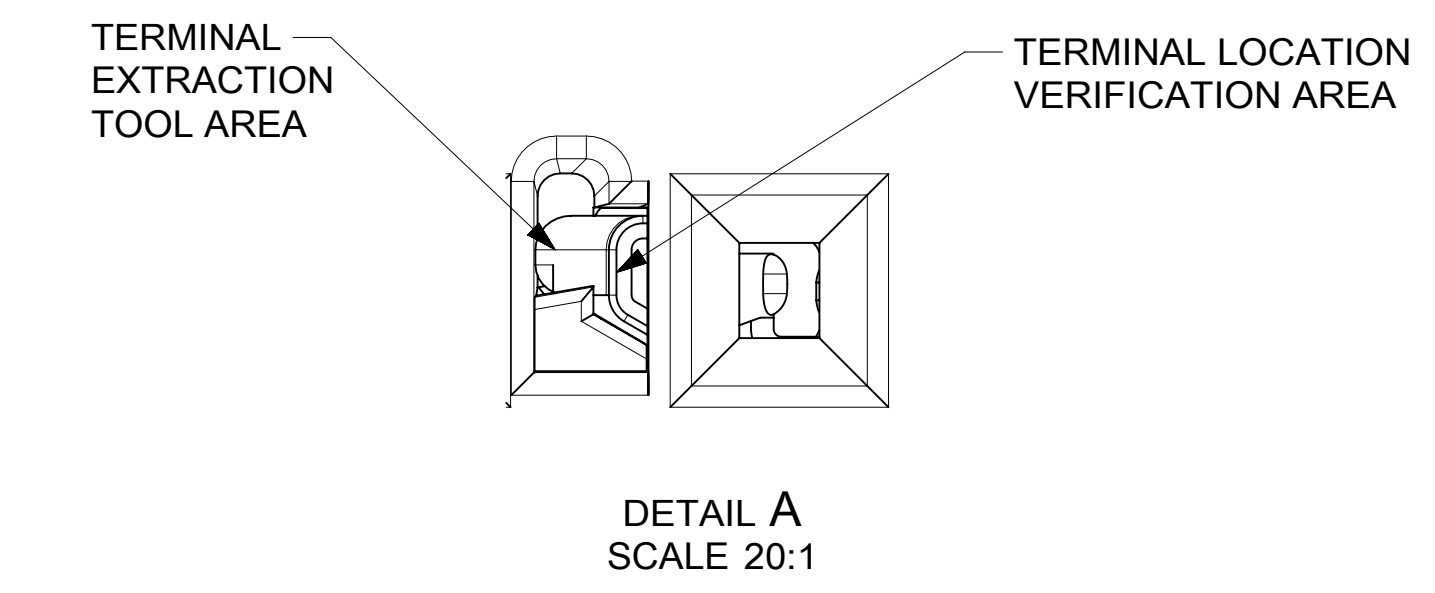
INSPECTION BALLOON NUMBER LOG
PER DRAWING REVISION : A6
LAST BALLOON NUMBER: 2
ADDED BALLOON NUMBER: NONE
DELETED BALLOON NUMBER: NONE

A6	UPDATED TAK50 TERMINAL PNS 21-July-2021 YPENG47 ECN 648438
A5	UPDATED DELPHI 1.2 TERMINAL PNS 10-Apr-2020 YPENG47 ECN 635661
A4	UPDATED ISL TO PRE-LOCK(SHIPMENT) STATUS 31-Mar-2020 YPENG47 ECN 635045
REVISION	DESCRIPTION

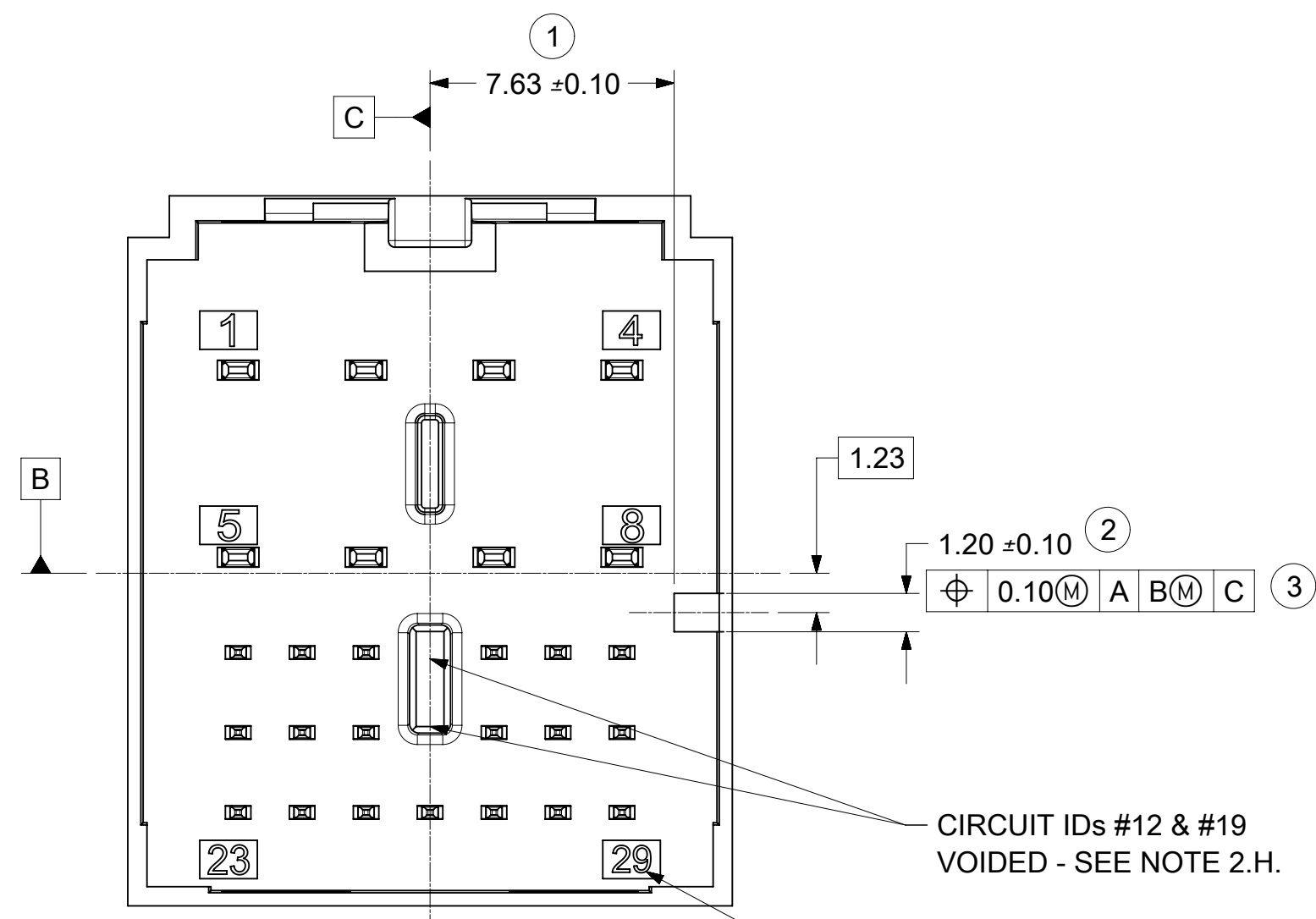
MOLEX ASSEMBLY PART NO.'S	CIRCUIT COUNT	KEY	OUTER SHROUD COLOR	COMPONENTS						
				ITEM 1				ITEM 2	ITEM 3	ITEM 4
				OUTER SHROUD KEY 1	OUTER SHROUD KEY 2	OUTER SHROUD KEY 3	OUTER SHROUD KEY 4	INNER HOUSING	ISL	CPA
1600140011	28	1	DARK GRAY	SPS/PA66-GF20 1600140511	SPS/PA66-GF20 1600140512	SPS/PA66-GF20 1600140513	SPS/PA66-GF20 1600140514	SPS/PA66-GF20 1600140701	SPS-GF30 1600140601	PA66-GF50 1600140703
1600140012	28	2	LT GREEN A	1	1			STONE GRAY	1	1
1600140013	28	3	LT GRAY			1		STONE GRAY	1	1
1600140014	28	4	BLACK				1	STONE GRAY	1	1
1600290011	27	1	BLACK	1600290511	1600290512	1600290513	1600290514	1600290701	1600290601	1600140703
1600290012	27	2	LT GREEN B	1	1			DARK GRAY	1	1
1600290013	27	3	LT BLUE B			1		DARK GRAY	1	1
1600290014	27	4	PURPLE C				1	DARK GRAY	1	1

FUNCTIONAL SYMBOLS	THIS DRAWING CONTAINS INFORMATION THAT IS PROPRIETARY TO MOLEX ELECTRONIC TECHNOLOGIES, LLC AND SHOULD NOT BE USED WITHOUT WRITTEN PERMISSION	DIMENSION UNITS	SCALE	CURRENT REV DESC: UPDATED TAK50 TERMINAL PNS	
	mm	5:1			
DIVISIONAL SYMBOLS	GENERAL TOLERANCES (UNLESS SPECIFIED)	EC NO: 648438			
	ANGULAR TOL ± 3.0°	DRWN: YPENG47 2021/07/21			
DRAFT WHERE APPLICABLE MUST REMAIN WITHIN DIMENSIONS	4 PLACES ±	CHK'D: RCARLSON 2021/07/29			
	3 PLACES ±	APPR: JCONDON 2021/08/02			
	2 PLACES ± 0.3	INITIAL REVISION:			
	1 PLACE ± 0.3	DRWN: RCARLSON 2019/02/14			
0 PLACES ± 0.3	APPR: JCONDON 2019/02/25				
THIRD ANGLE PROJECTION		DRAWING	SERIES	MATERIAL NUMBER	CUSTOMER
D-SIZE		160014	GENERAL MARKET	SHEET NUMBER	
				1 OF 2	

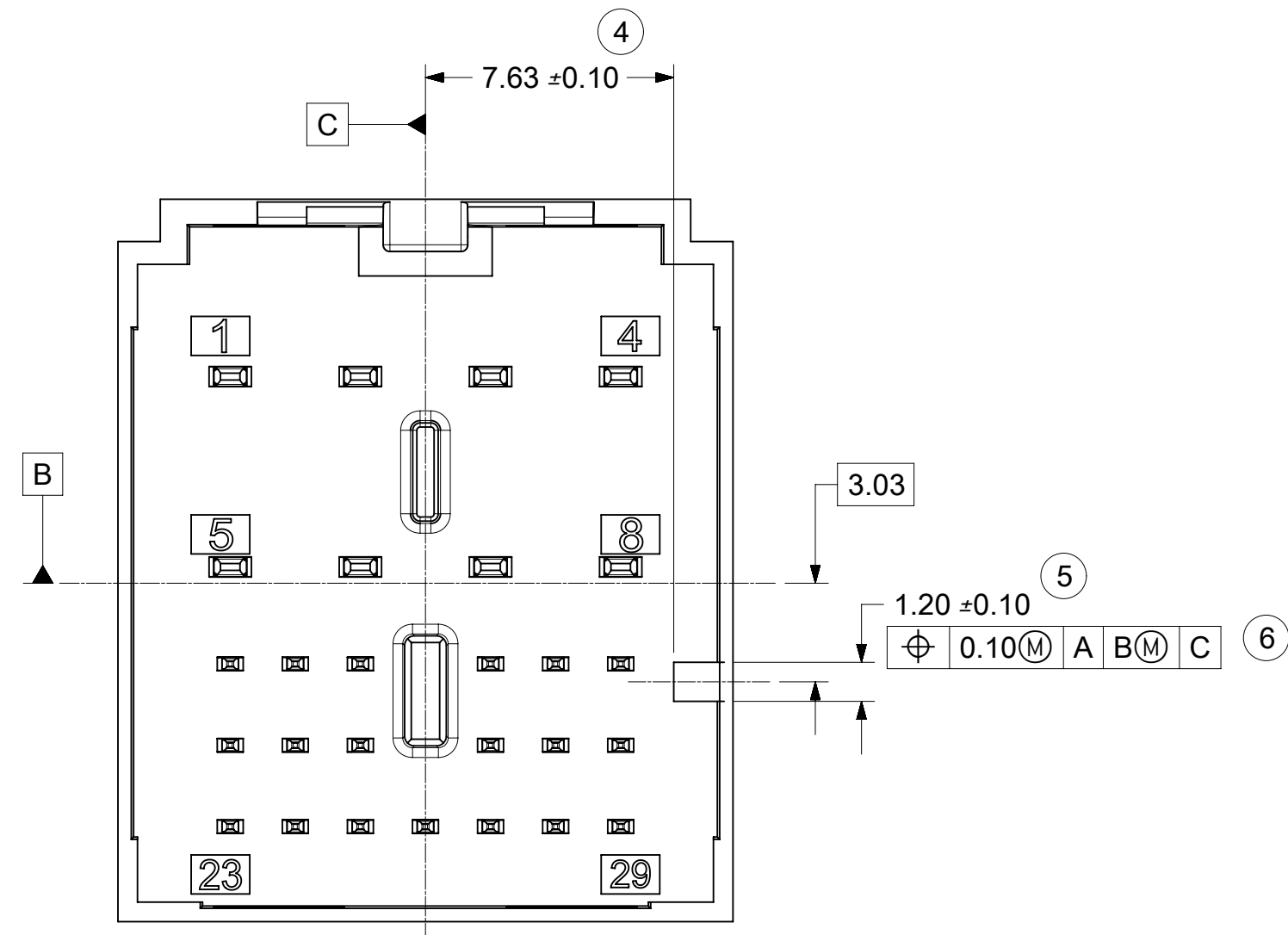
NOTE: 28 WAY CONNECTOR VARIANT SHOWN.  
DIMENSIONS APPLY TO ALL CONNECTOR VARIANTS OF 29 WAY



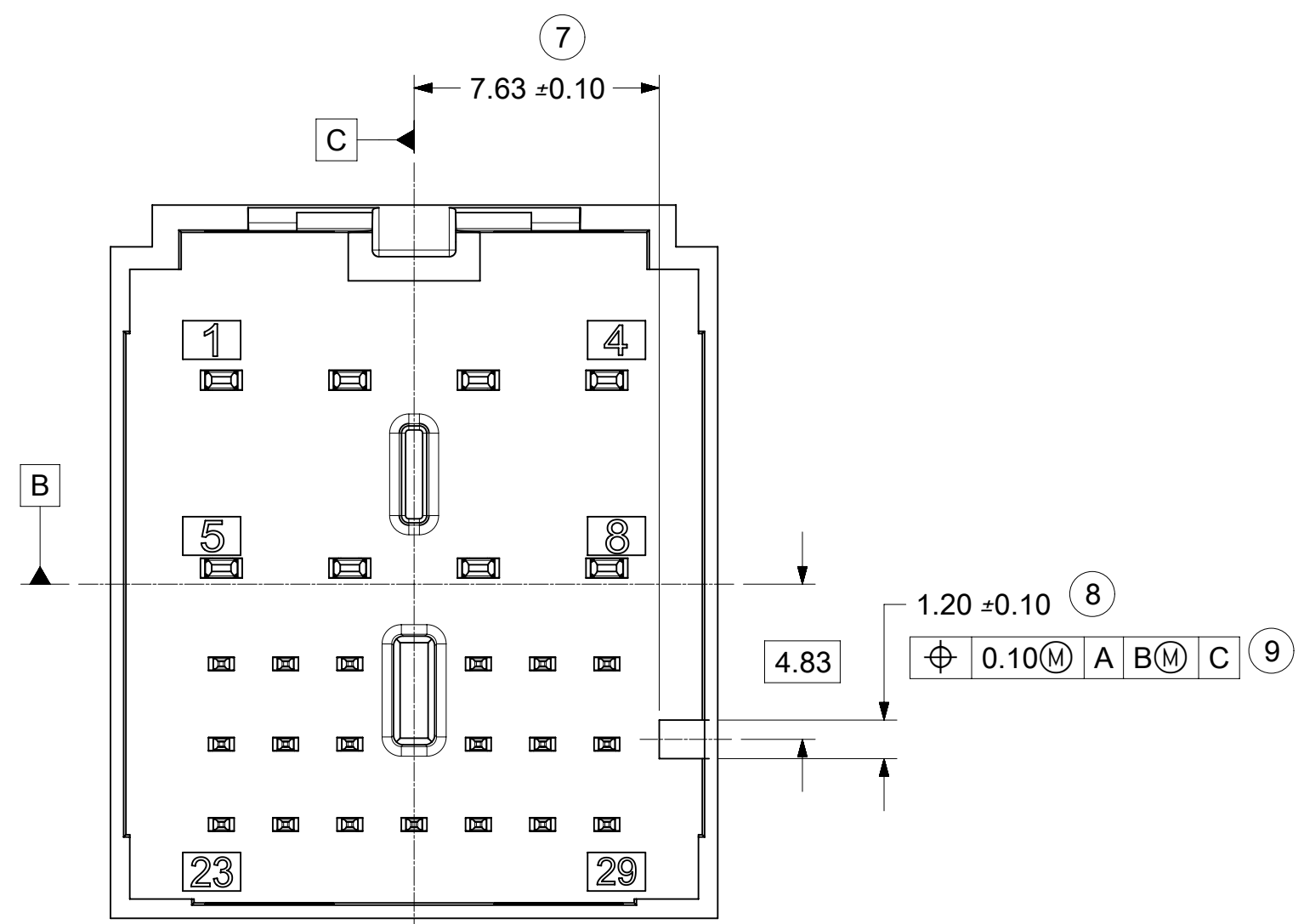
FUNCTIONAL SYMBOLS	THIS DRAWING CONTAINS INFORMATION THAT IS PROPRIETARY TO MOLEX ELECTRONIC TECHNOLOGIES, LLC AND SHOULD NOT BE USED WITHOUT WRITTEN PERMISSION		
	DIMENSION UNITS	SCALE	CURRENT REV DESC: UPDATED TAK50 TERMINAL PMS
$F_A = 0$	mm	5:1	
$F_E = 0$	GENERAL TOLERANCES (UNLESS SPECIFIED)		
$F_P = 0$	ANGULAR TOL $\pm 3.0^\circ$		
DIVISIONAL SYMBOLS	4 PLACES	$\pm$	EC NO: 648438
	3 PLACES	$\pm$	DRWN: YPENG47 2021/07/21
	2 PLACES	$\pm 0.3$	CHK'D: RCARLSON 2021/07/29
	1 PLACE	$\pm 0.3$	APPR: JCONDON 2021/08/02
	0 PLACES	$\pm 0.3$	INITIAL REVISION: DRWN: RCARLSON 2019/02/14
DRAFT WHERE APPLICABLE MUST REMAIN WITHIN DIMENSIONS		THIRD ANGLE PROJECTION	APPR: JCONDON 2019/02/25
		DRAWING	SERIES
		D-SIZE	160014
DOCUMENT STATUS		DOCUMENT NUMBER	DOC TYPE
P1	1600140011	PSD	000
RELEASE DATE	2021/08/02	DOC PART	A6
13:46:01		CUSTOMER	GENERAL MARKET
		SHEET NUMBER	2 OF 2



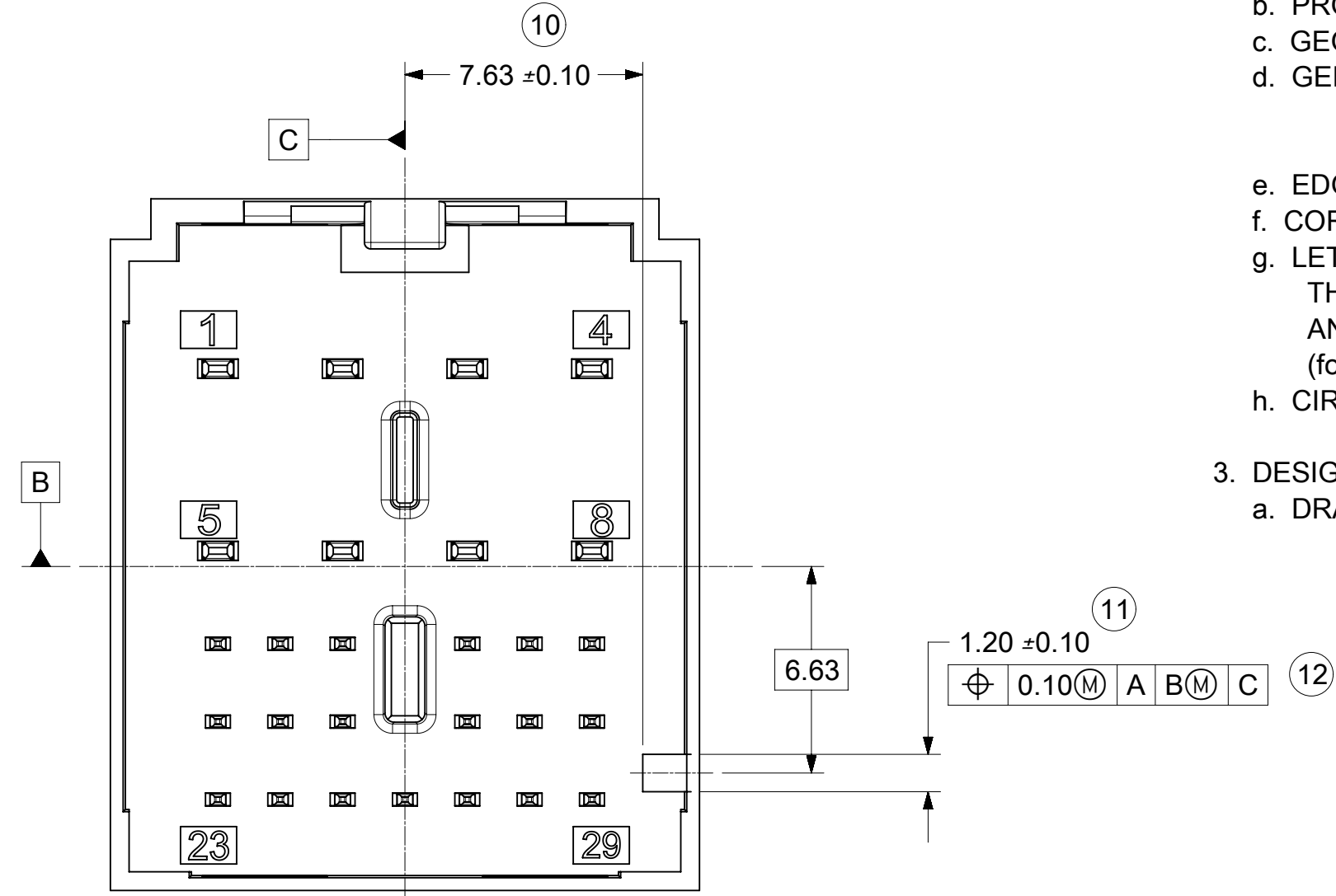
INTERFACE KEY #1  
MATING CONNECTOR COLOR: BLACK



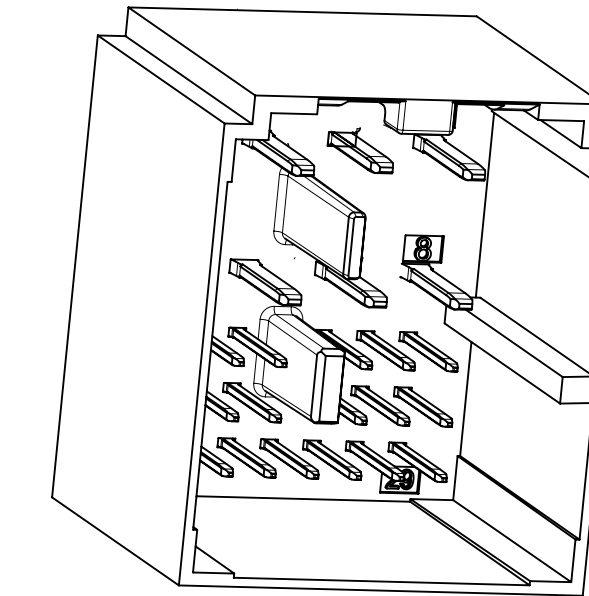
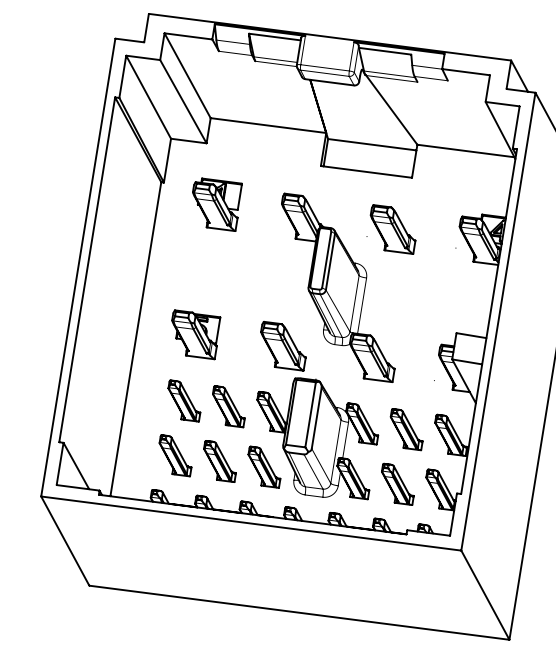
INTERFACE KEY #2  
MATING CONNECTOR COLOR: LT GREEN B



INTERFACE KEY #3  
MATING CONNECTOR COLOR: LT BLUE B



INTERFACE KEY #4  
MATING CONNECTOR COLOR: PURPLE C

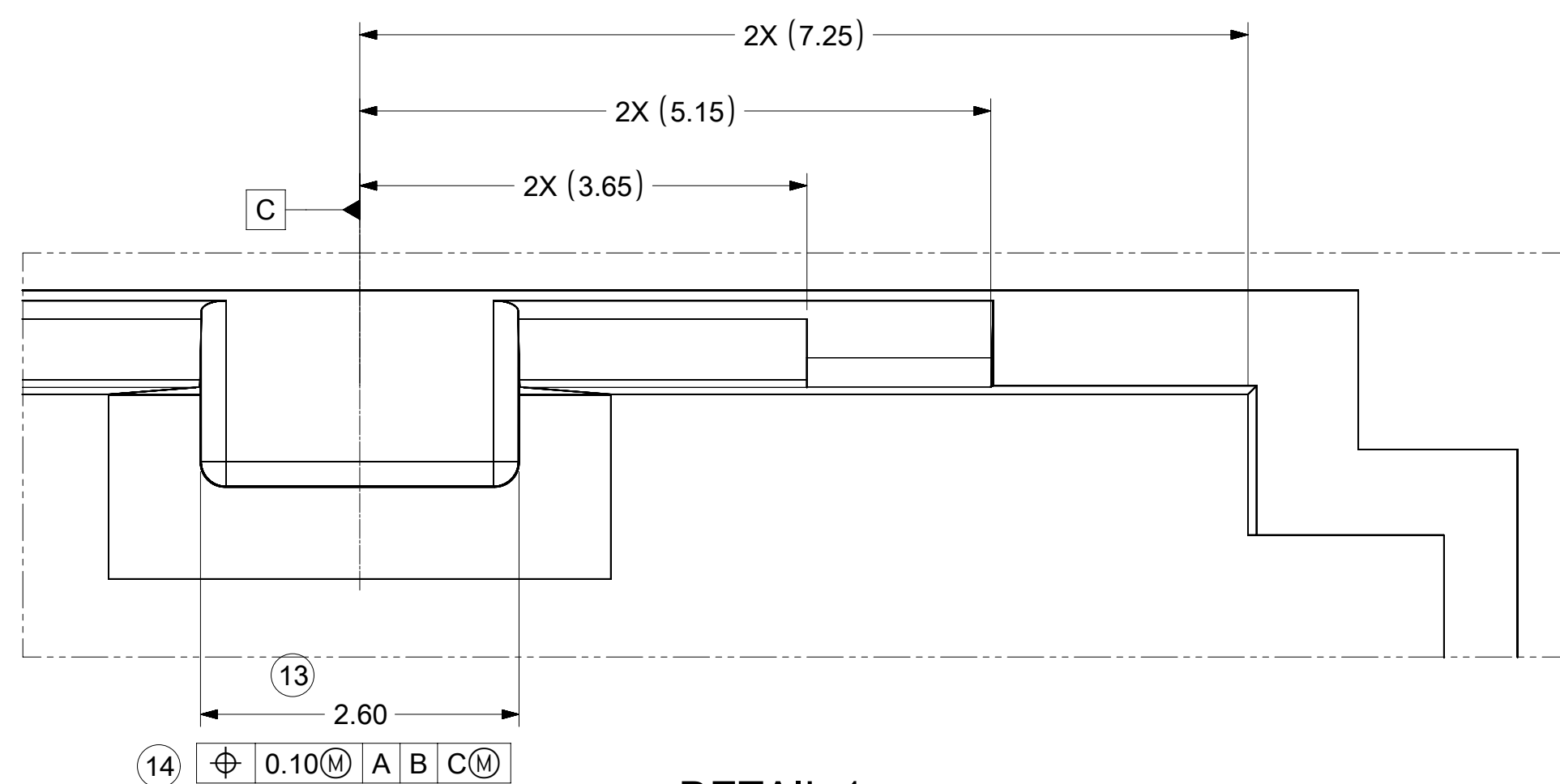


NOTES: VALID UNLESS OTHERWISE SPECIFIED

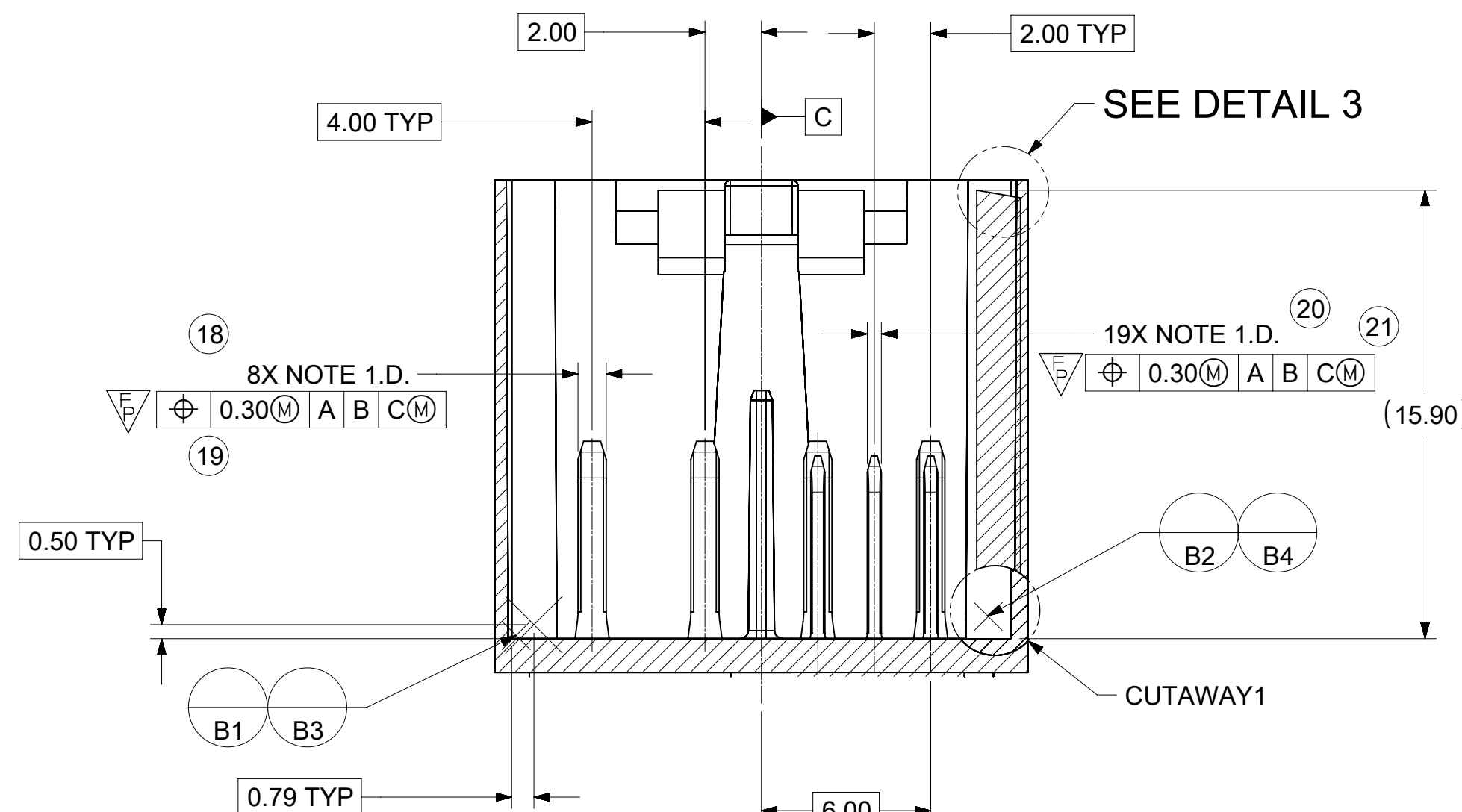
1. DESIGN - MATERIALS:
  - a. RESIN MATERIAL: PBT+GF30 OR SPS+GF30 OR EQUIVALENT
  - b. PIN/BLADE MATERIAL: ACCORDING TO USCAR DRAWING EWCAP-001 NOTE B2.
  - c. PLATING: ACCORDING TO USCAR DRAWING EWCAP-001 TIN REFLOW WITH UNDERPLATE.
  - d. PIN TIPS ACCORDING TO USCAR DRAWING EWCAP-001 (120-T002 AND 050-T001)
  - e. DEVIATION TO EWCAP-001 ACCEPTABLE IF PERFORMANCE(ELECTRICAL/MECHANICAL)IS SHOWN TO BE EQUAL OR BETTER AS REQUIRED BY VALIDATION TESTING.
2. DESIGN - GEOMETRY:
  - a. ALL GRAPHIC DATA IS BASIC (NO TOLERANCE) AND MUST BE TAKEN FROM THE DATA FILE AT ITS LATEST REVISION.
  - b. PRODUCT DESIGN MODEL NUMBER(S): SEE BOM TABLE
  - c. GEOMETRIC DIMENSIONS AND TOLERANCES PER ASME Y14.5M-2009
  - d. GENERAL TOLERANCES:
    - LINEAR: PER DIN 16901 LINEAR CODE B FOR PRECISION ENGINEERING
    - ANGULAR: ± 3°
  - e. EDGES AND UNDIMENSIONED DETAILS PER ISO13715
  - f. CORNERS SHOWN AS SHARP TO BE R 0.2 MAX.
  - g. LETTERING SHALL BE 0.15 MAX RAISED IN 0.25 MAX RECESS PAD. THIS INCLUDES RECYCLING CODE, CAVITY ID, VENDOR IDENTIFICATION, AND CUSTOMER MATERIAL NUMBER. (for small parts: LETTERING SHALL BE 0.10 MAX RAISED IN 0.15 MAX RECESS PAD)
  - h. CIRCUIT LOCATIONS 12 AND 19 VOIDED FOR 27WAY INTERFACE
3. DESIGN - MANUFACTURING:
  - a. DRAFT TO BE WITHIN TOLERANCE.

B1	ADDED BALLOONS JCONDON 08/02/2018
B	REMOVED 0.2MM FROM CONNECTOR LOCK TAB FEATURE
A1	NOTE 1.E. ADDED JCONDON 11/13/2017
A	NX-REMASTERING SAP # 10867412
9	UAU2016-1182 SAP # 10762453 JCONDON 02/08/2016
8	UAU2016-0542 SAP # 10728331 JCONDON 10/20/2015
7	UAU2015-1446 SAP # 10681629 JCONDON 03/25/2015
6	UAU2015-1212 SAP # 10674908 JCONDON 02/06/2015
5	UAU2015-1036 SAP # 10670355 JCONDON 01/07/2015
4	UAU2015-0634 SAP # 10661788 JCONDON 10/22/2014
3	UAU2014-1679 SAP # XXXXXXXX JCONDON 03/17/2014
2	UAU2014-1221 SAP # XXXXXXXX MYOUNG01 01/31/2014
1	UAU2014-0715 SAP # XXXXXXXX DAHALL 11/20/2013
REV	DESCRIPTION

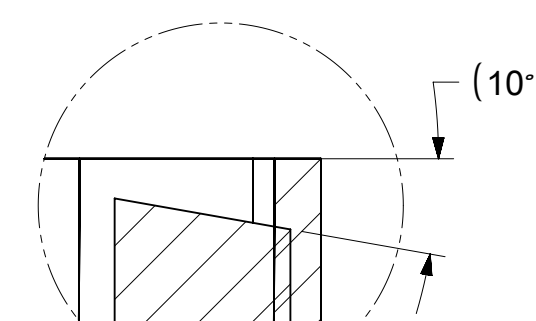
SYMBOLS	THIS DRAWING CONTAINS INFORMATION THAT IS PROPRIETARY TO MOLEX ELECTRONIC TECHNOLOGIES, LLC AND SHOULD NOT BE USED WITHOUT WRITTEN PERMISSION		CURRENT REV DESC: ADDED DIMENSION BALLOONS				
	DIMENSION UNITS	SCALE					
▽ = 0	mm	5:1	EC NO: 602204		27WAY STAK50H INTERFACE DRAWING		
▽ = 0	GENERAL TOLERANCES (UNLESS SPECIFIED)		DRWN: JCONDON 2018/08/02				
▽ = 0	ANGULAR TOL ± °		CHK'D: JCONDON 2018/08/03		PRODUCT CUSTOMER DRAWING		
▽ = 0	4 PLACES ±		APPR: MVANSLAMBROU 2018/08/03				
▽ = 0	3 PLACES ±		INITIAL REVISION:		DOCUMENT NUMBER		
▽ = 0	2 PLACES ±		DRWN: DAHALL 2013/11/20				SD-160029-002
▽ = 0	1 PLACE ±		APPR: KDEKOSKI 2014/01/02		DOC TYPE		
▽ = 0	0 PLACES ±		DRAFT WHERE APPLICABLE MUST REMAIN WITHIN DIMENSIONS				PSD
▽ = 0	THIRD ANGLE PROJECTION		DRAWING		001		
▽ = 0	D-DRAWING		SERIES				B1
▽ = 0	D-DRAWING		160029		REVISION		
▽ = 0	D-DRAWING		160029				01
MATERIAL NUMBER			CUSTOMER			SHEET NUMBER	
160029			GENERAL MARKET			1 OF 3	



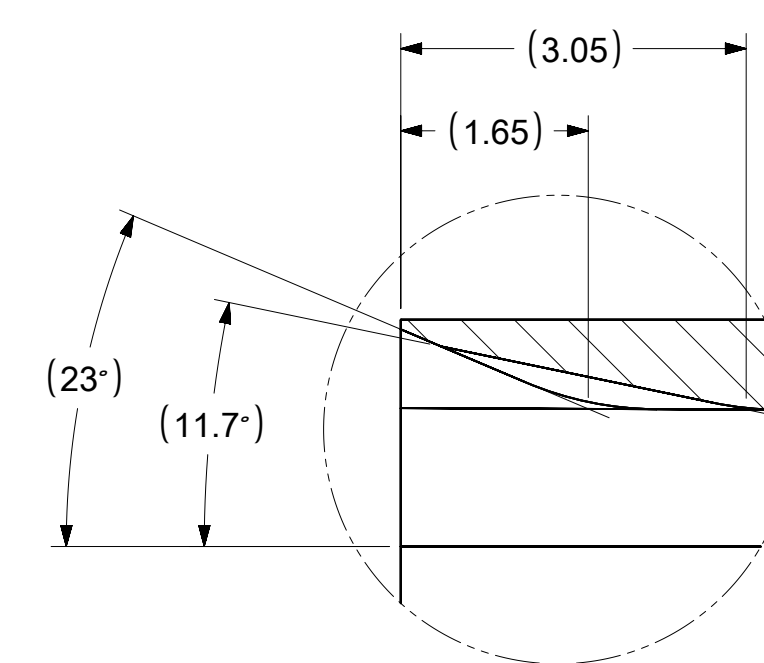
DETAIL 1  
SCALE 20:1



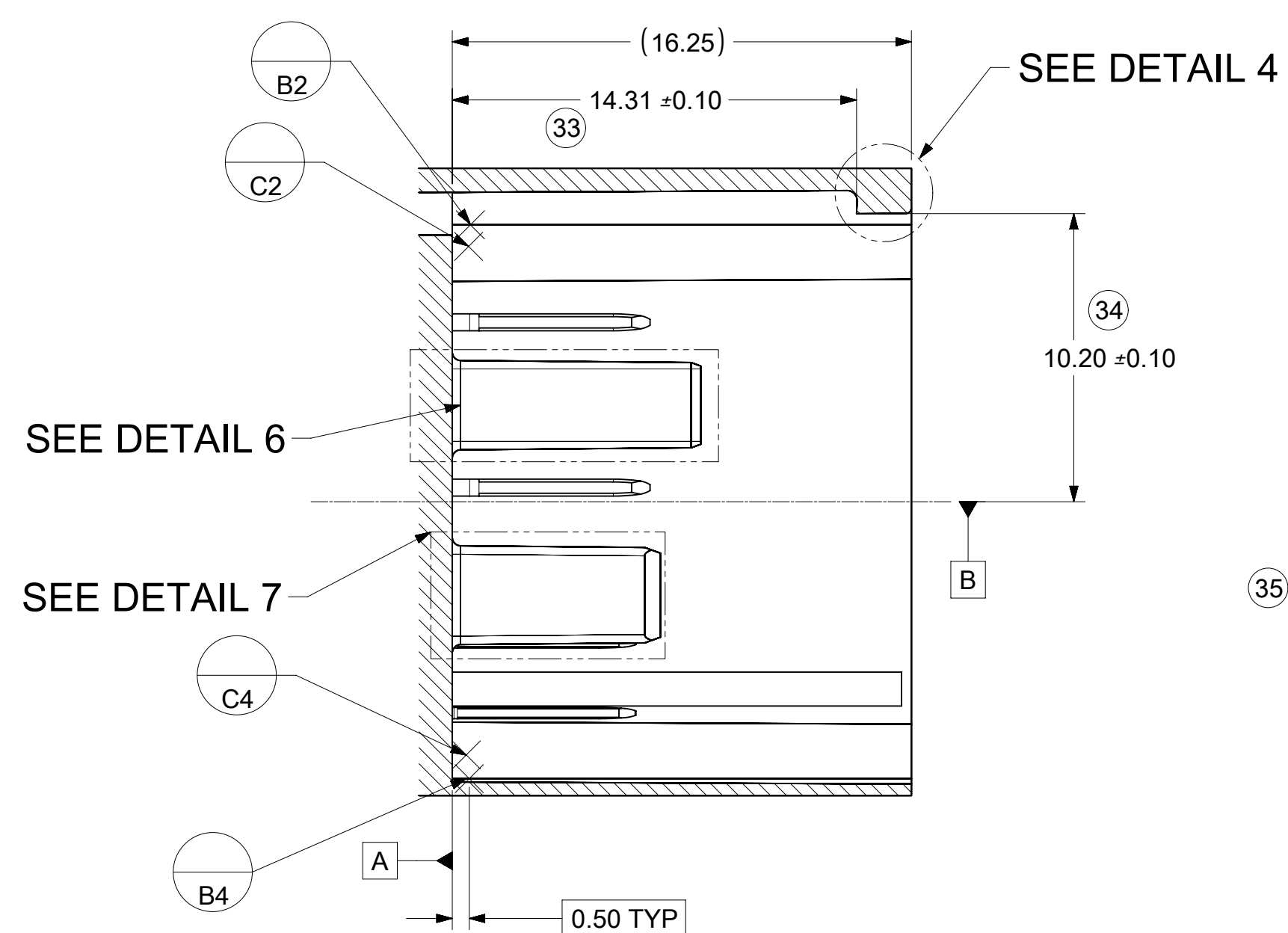
SECTION X-X



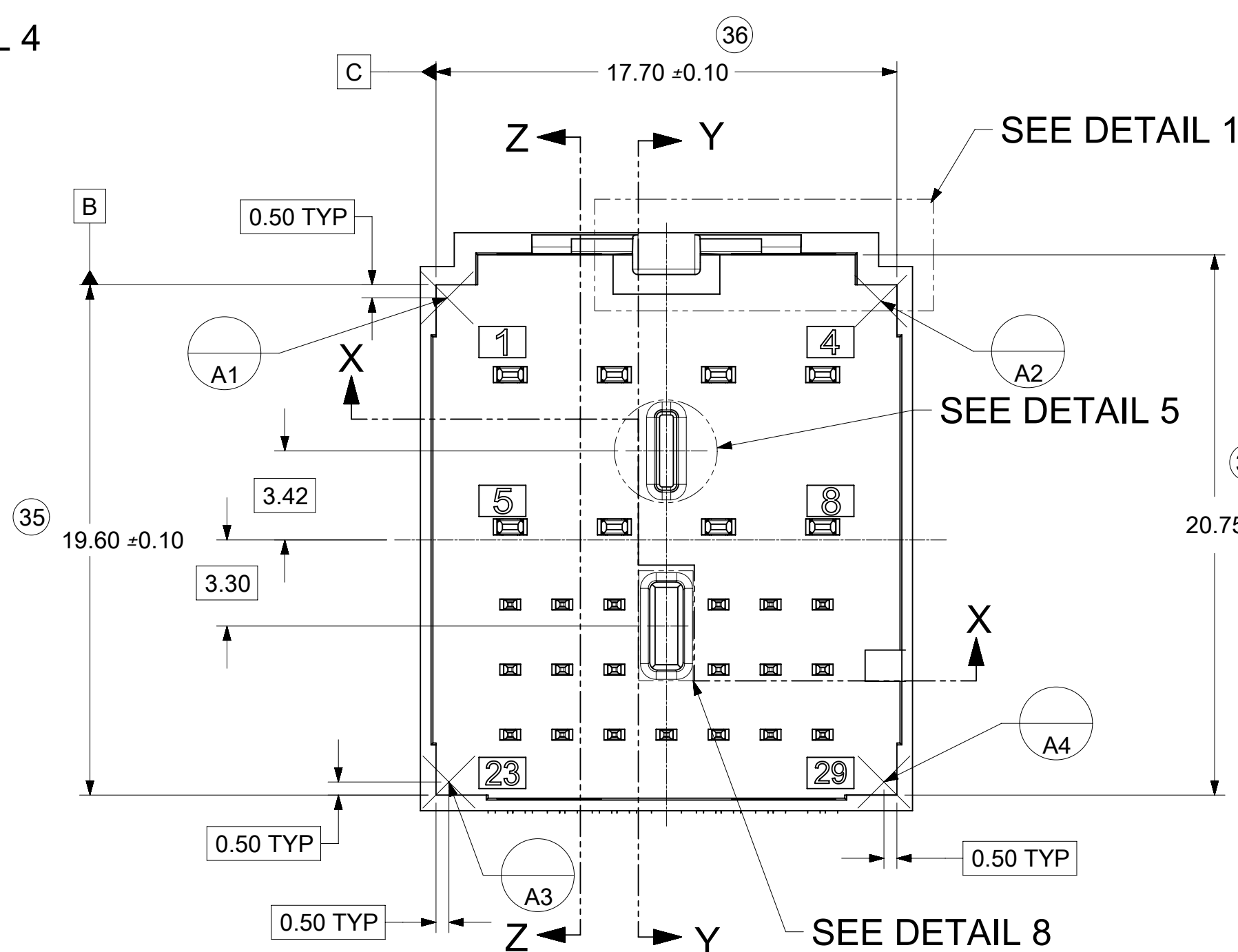
DETAIL 3  
SCALE 15:1



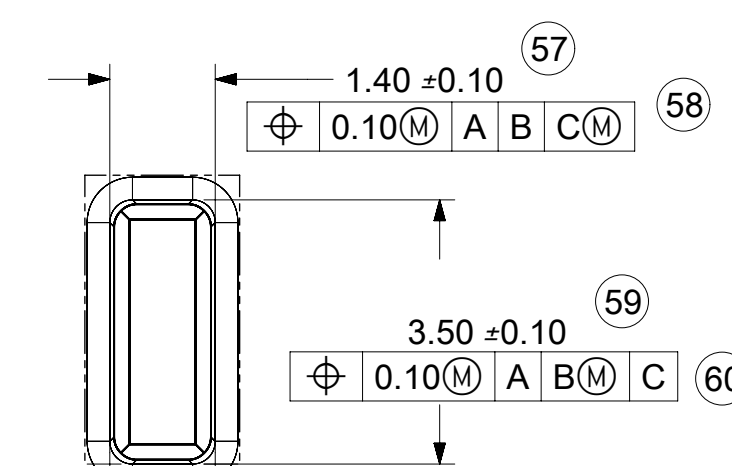
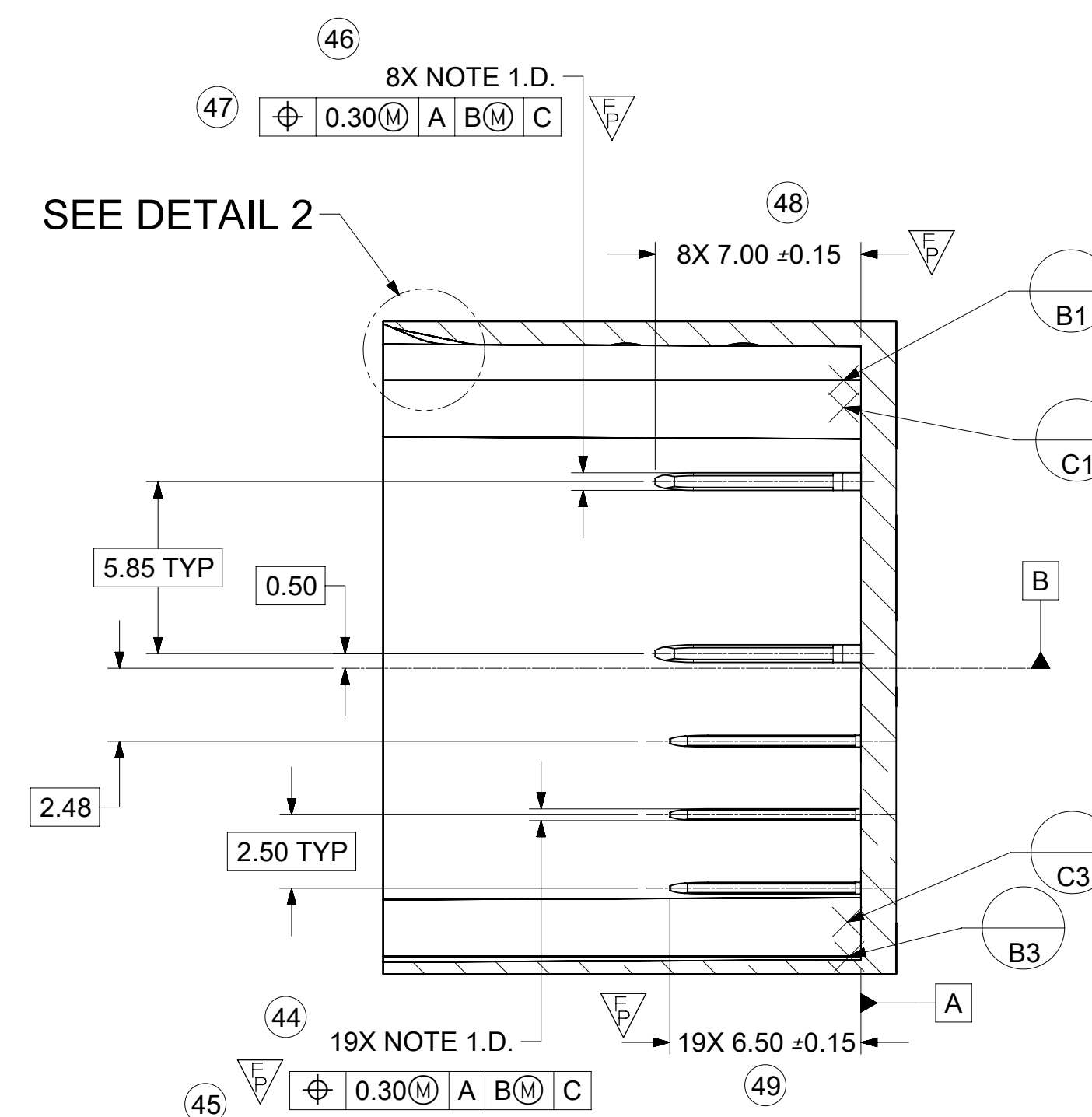
DETAIL 2  
SCALE 15:1



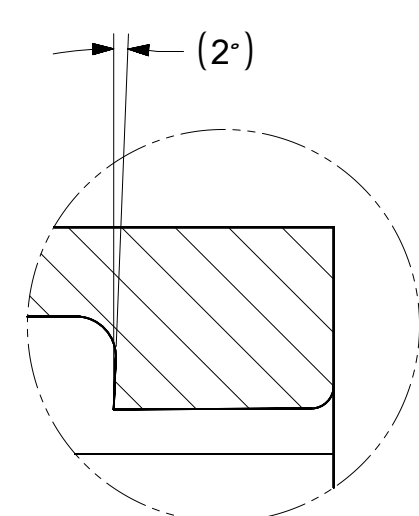
SECTION Y-Y



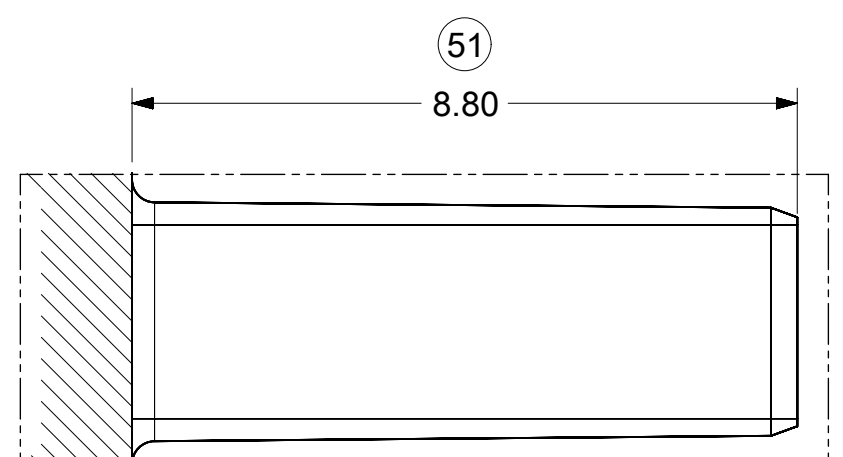
SECTION Z-Z



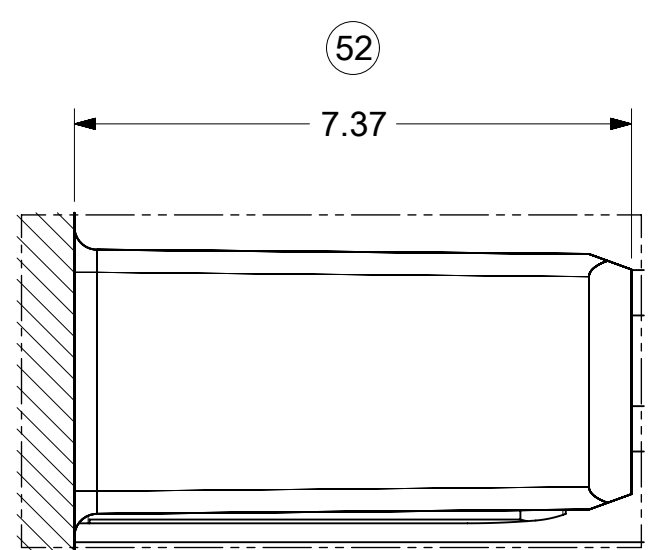
DETAIL 8  
SCALE 10:1



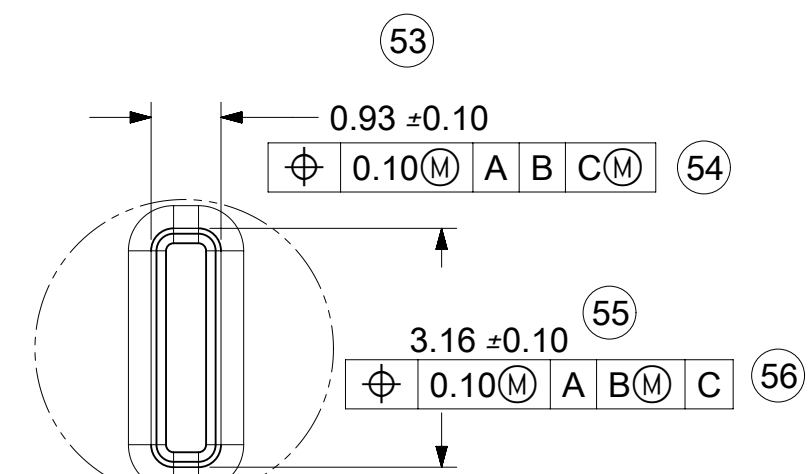
DETAIL 4  
SCALE 15:1



DETAIL 6  
SCALE 10:1



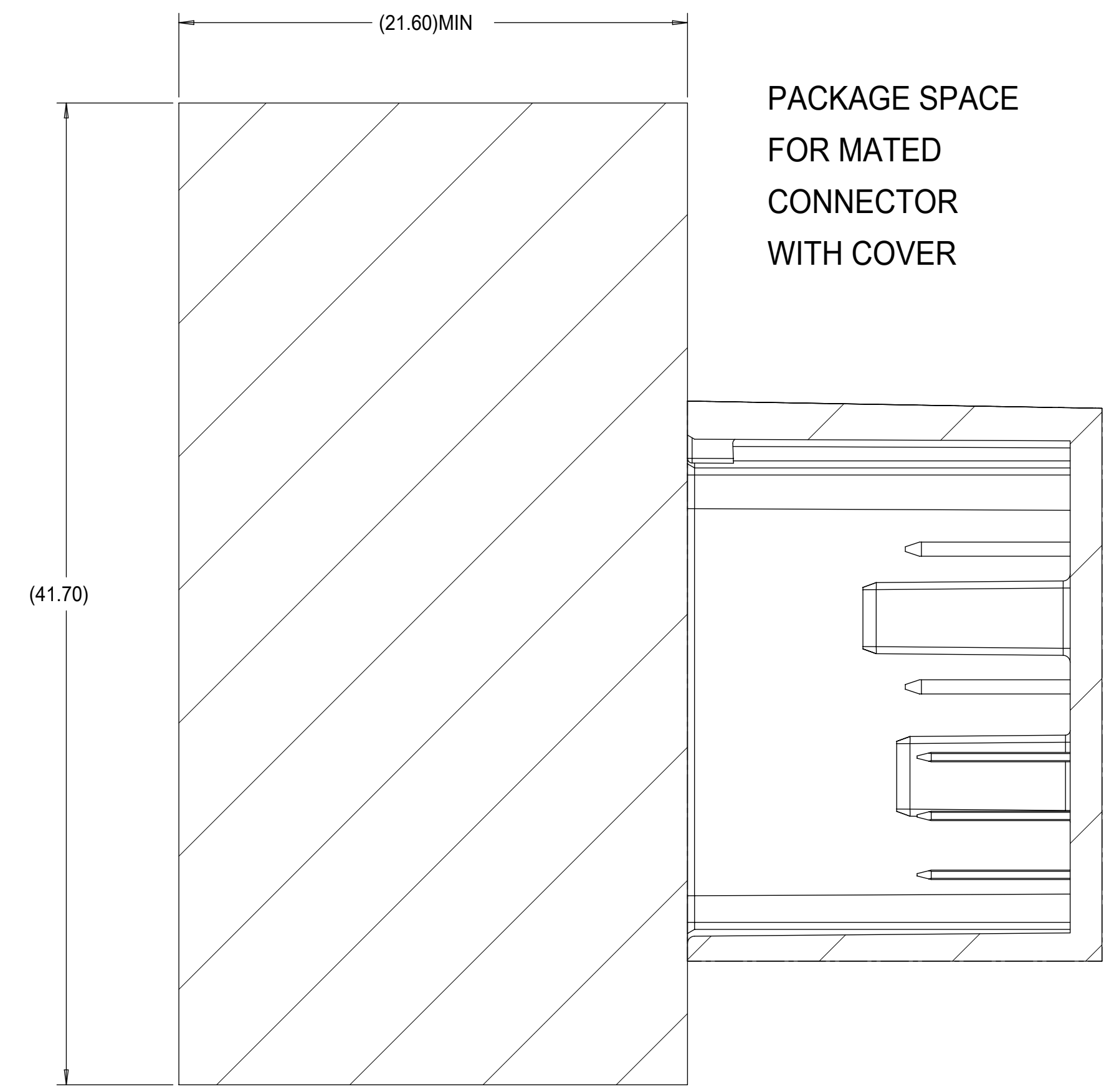
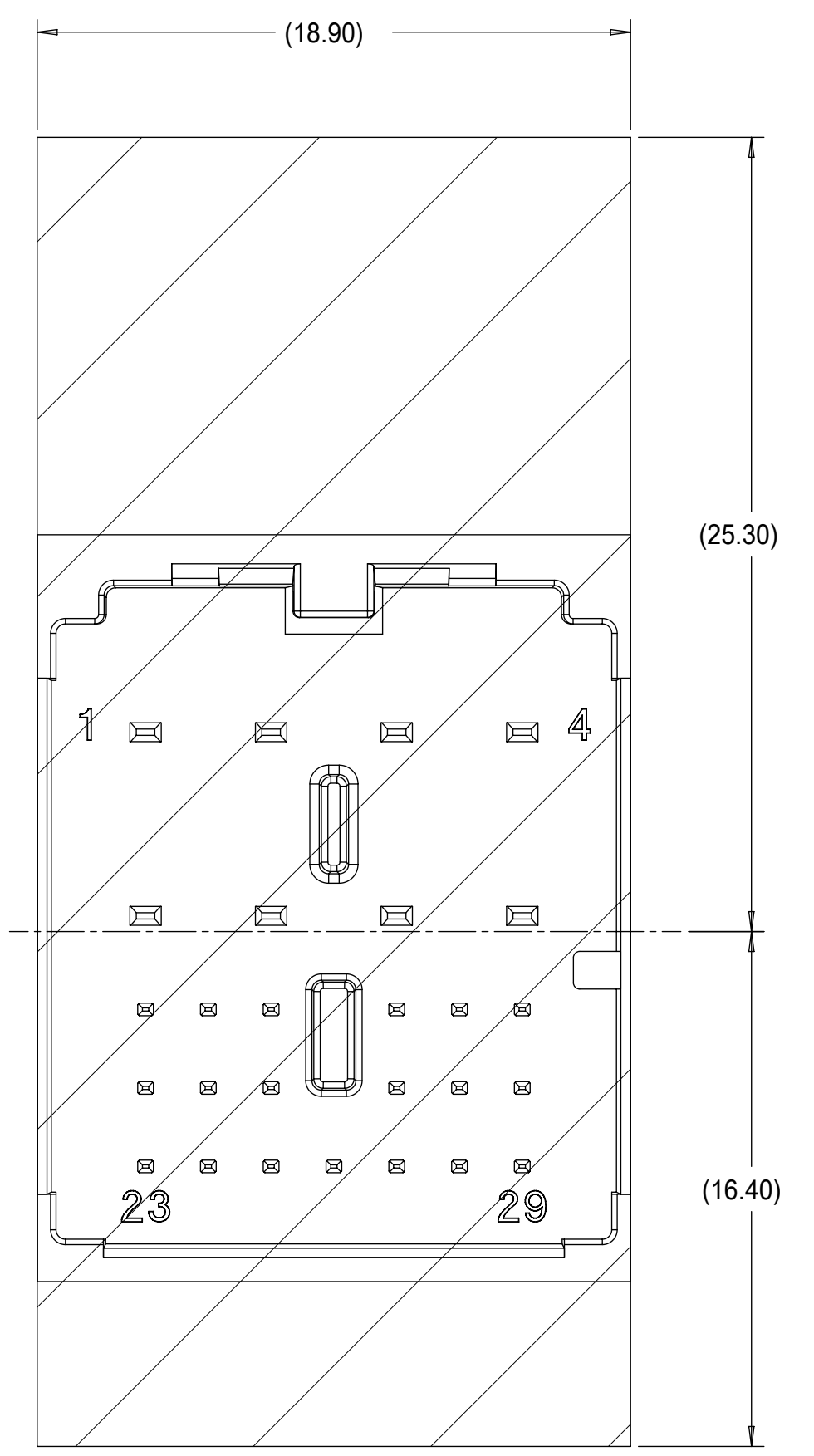
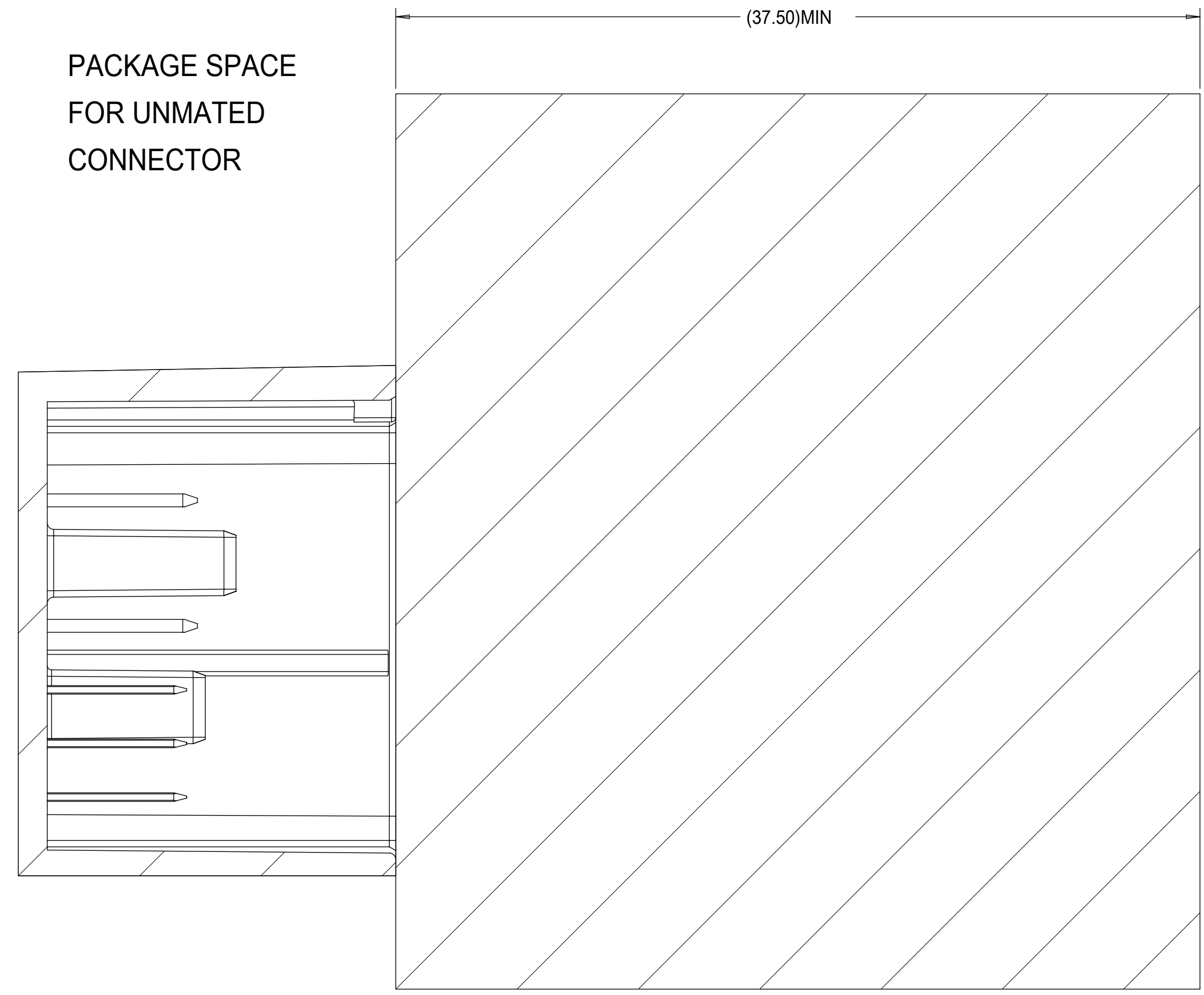
DETAIL 7  
SCALE 10:1



DETAIL 5  
SCALE 10:1

SYMBOLS	THIS DRAWING CONTAINS INFORMATION THAT IS PROPRIETARY TO MOLEX ELECTRONIC TECHNOLOGIES, LLC AND SHOULD NOT BE USED WITHOUT WRITTEN PERMISSION		CURRENT REV DESC: ADDED DIMENSION	
	DIMENSION UNITS	SCALE	BALLOONS	
▽ = 0	mm	5:1		
▽ = 0	GENERAL TOLERANCES (UNLESS SPECIFIED)			
▽ = 6	ANGULAR TOL ± °			
▽ = 0	4 PLACES	±	EC NO: 602204	
▽ = 0	3 PLACES	±	DRWN: JCONDON 2018/08/02	
▽ = 0	2 PLACES	±	CHK'D: JCONDON 2018/08/03	
▽ = 0	1 PLACE	±	APPR: MVANSLAMBROU 2018/08/03	
▽ = 0	0 PLACES	±	INITIAL REVISION:	
⊠ = 0	DRAFT WHERE APPLICABLE MUST REMAIN WITHIN DIMENSIONS		DRWN: DAHALL 2013/11/20	SERIES
▽ = 0			APPR: KDEKOSKI 2014/01/02	D-DRAWING
		THIRD ANGLE PROJECTION	D-DRAWING	SERIES
		⊕	D-DRAWING	160029
DOCUMENT STATUS		RELEASE DATE	DOCUMENT NUMBER	DOC TYPE
P1	2018/08/03 19:41:35	SD-160029-002	PSD	001
		CUSTOMER	REVISION	
		GENERAL MARKET	B1	
		SHEET NUMBER		
		2 OF 3		

PACKAGE SPACE  
FOR CONNECTOR



SYMBOLS	THIS DRAWING CONTAINS INFORMATION THAT IS PROPRIETARY TO MOLEX ELECTRONIC TECHNOLOGIES, LLC AND SHOULD NOT BE USED WITHOUT WRITTEN PERMISSION		
	DIMENSION UNITS	SCALE	CURRENT REV DESC: ADDED DIMENSION BALLOONS
▽ = 0	mm	5:1	
▽ = 0	GENERAL TOLERANCES (UNLESS SPECIFIED)		
▽ = 0	ANGULAR TOL ± °		
▽ = 0	4 PLACES	±	EC NO: 602204
▽ = 0	3 PLACES	±	DRWN: JCONDON 2018/08/02
▽ = 0	2 PLACES	±	CHK'D: JCONDON 2018/08/03
▽ = 0	1 PLACE	±	APPR: MVANSLAMBROU 2018/08/03
▽ = 0	0 PLACES	±	INITIAL REVISION:
□ = 0	DRAFT WHERE APPLICABLE MUST REMAIN WITHIN DIMENSIONS		DRWN: DAHALL 2013/11/20
■ = 0	THIRD ANGLE PROJECTION		APPR: KDEKOSKI 2014/01/02
▽ = 0	DRAWING		SERIES
	D-SIZE		160029
DOCUMENT STATUS		RELEASE DATE	2018/08/03 19:41:35
P1			

**molex**

27WAY STAK50H  
INTERFACE DRAWING

PRODUCT CUSTOMER DRAWING

DOCUMENT NUMBER	DOC TYPE	DOC PART	REVISION
SD-160029-002	PSD	001	B1

MATERIAL NUMBER	CUSTOMER	SHEET NUMBER
	GENERAL MARKET	3 OF 3