

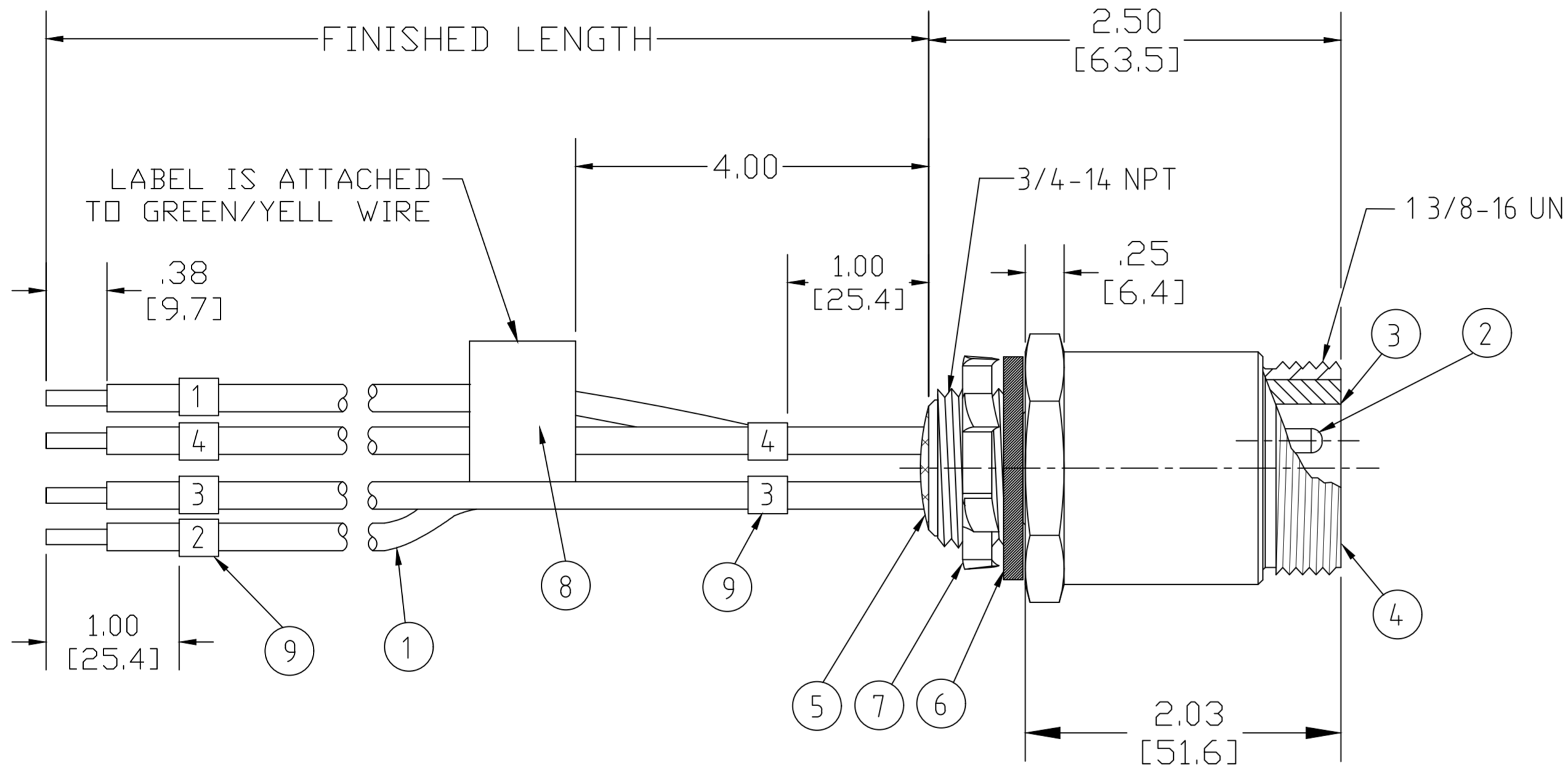
PART NUMBER	ENGINEERING NO.	LENGTH
1300660246	CR4C06A76M005	0.5 METER [ 1 FT 8 IN]
1300660247	CR4C06A76M010	1 METER [3 FT 3 IN]
1300660248	CR4C06A76M020	2 METERS [6 FT 7 IN]
1300660249	CR4C06A76M030	3 METERS [9 FT 10 IN]

## PART NUMBER LEGEND

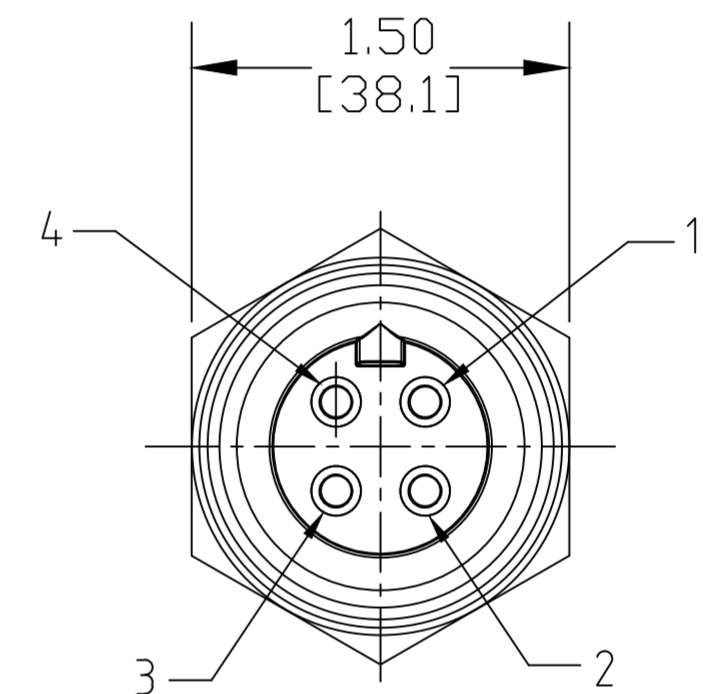
# CR4C06A76M005

**LENGTH**  
M005 = 0.5 METER  
M010 = 1 METER  
M100 = 10 METER

CABLE LENGTH TOLERANCES	
>.3M [1FT]:	+19mm-0 [+1.75in-0]
.3 - .9M [1 - 3FT]:	+44.5mm-0 [+1.75in-0]
.9 - 1.8M [3 - 6FT]:	+55.6mm-0 [+2.19in-0]
1.8 - 3.7M [6 - 12FT]:	+88.9mm-0 [+3.50in-0]
3.7 - 7.3M [12 - 24FT]:	+165.1mm-0 [+6.50in-0]
7.3-14.6M [24 - 48FT]:	+317.5mm-0 [+12.50in-0]
14.6 - 30.5M [48-100FT]:	+622.3mm-0 [+24.50in-0]
OVER 30M [100FT]	+2% OF FINISHED LENGTH



MALE FACE VIEW

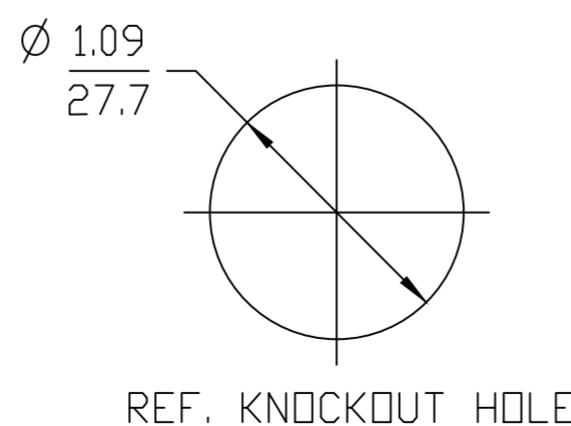


- NOTES:**
1. MATERIAL: AS NOTED
  2. FINISH: AS NOTED
  3. ELECTRICAL:  
VOLTAGE: 500V PER IEC60664  
600V PER UL2237  
CURRENT: 32A
  4. TEMP RATING: -20°TO +90°C
  5. PROTECTION: IP67 (WHEN MATED)
  6. UL LISTED FILE: E258922
  7. ALL DIMS ARE FOR REFERENCE UNLESS NOTED OR TOLERANCED OTHERWISE

BLACK	1
GREEN/YELLOW	2
BLACK	3
BLACK	4

WIRE DIAGRAM

9	WIRE IDENTIFIER LABEL	VINYL	BLACK ON WHITE
8	FLAG LABEL	VINYL	YELLOW
7	LOCKNUT	STEEL	ZINC PLATE
6	GASKET	NEOPRENE	BLACK
5	POTTING MATERIAL	EPOXY	BLACK
4	RECEPTACLE SHELL	ALUMINUM	ANODIZED
3	MALE INSERT	TPE	BLACK
2	CONTACT PIN	Cu ALLOY	GOLD PLATED
1	WIRE 10 AWG UL1015	PVC JACKET	SEE FACE VIEW
ITEM	DESCRIPTION	MATERIAL	FINISH



FUNCTIONAL SYMBOLS									
FA=0	DIMENSION UNITS	SCALE	THIS DRAWING CONTAINS INFORMATION THAT IS PROPRIETARY TO MOLEX ELECTRONIC TECHNOLOGIES, LLC AND SHOULD NOT BE USED WITHOUT WRITTEN PERMISSION						
	INCH/MM	1:1	CURRENT REV DESC: REV BOM TABLE, INSERT WAS PVC, UPDATE DOC PER LATEST STD.						
EC=0	GENERAL TOLERANCES (UNLESS SPECIFIED)		EC NO: 639843						
	4 PLACES	±----	±----	DRWN: RSTONE 2020/06/17					
EP=0	3 PLACES	±----	±----	CHK'D: MZIELINSKI 2020/06/18					
	2 PLACES	±----	±----	APPR: BWOODMAN 2020/06/23					
DIVISIONAL SYMBOLS	1 PLACE	±----	±----	INITIAL REVISION:					
	0 PLACES	±----	±----	DRWN: MZIELINS 2018/04/04					
ANGULAR TOL ± ---- °			APPR: BWOODMAN 2018/04/16						
DRAFT WHERE APPLICABLE MUST REMAIN WITHIN DIMENSIONS			THIRD ANGLE PROJECTION		DRAWING	SERIES	MATERIAL NUMBER	CUSTOMER	SHEET NUMBER
					C-SIZE	130066		GENERAL MOTORS	1 OF 1

**BRAD POWER RECEPTACLE**  
4 POLE MALE, 10AWG, 3/4 NPT MOUNTING

PRODUCT CUSTOMER DRAWING

DOCUMENT NUMBER	DOC TYPE/DOC PART/REVISION
<b>SD-130066-085</b>	PSD 001 C