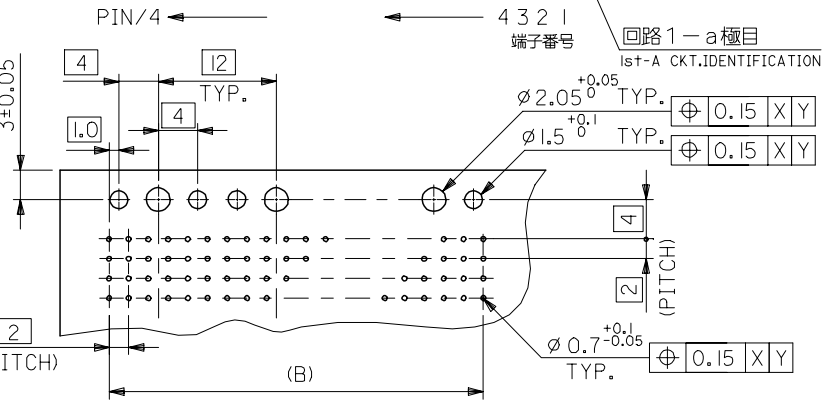
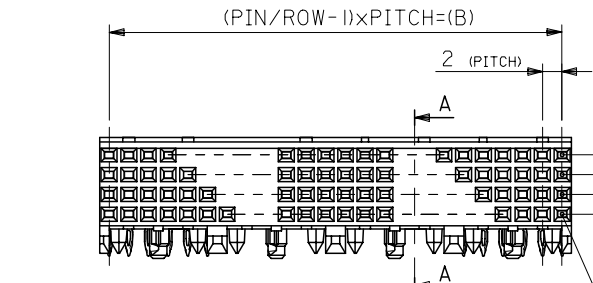
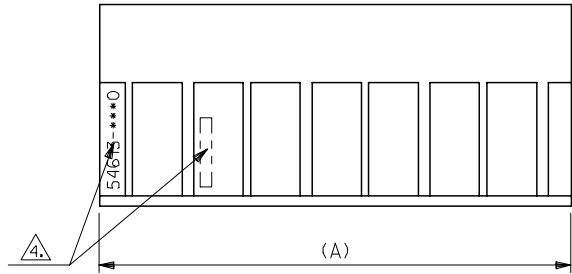
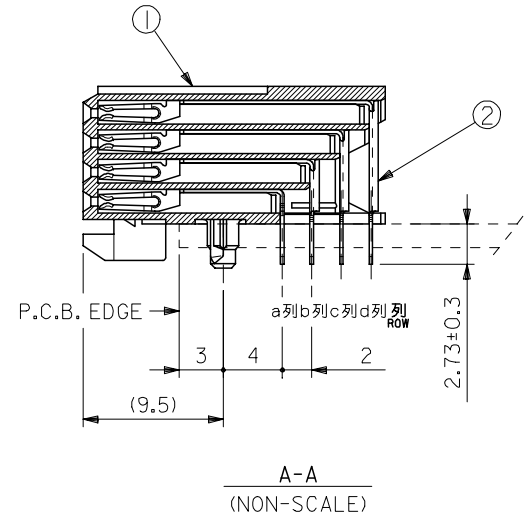


10 9 8 7 6 5 4 3 2 1

番号 No.	部品 PART NAME	材質 MATERIAL	仕上げ FINISH
①	リセプタクル ハウジング RECEPTACLE HOUSING	液晶ポリマー、ガラス充填、自然色(白)、UL94V-0 LIQUID CRYSTAL POLYMER, GLASS FILLED, NATURAL(WHITE)	—
②	リセプタクル ターミナル RECEPTACLE TERMINAL	リン青銅 PHOSPHOR BRONZE	▲



基板穴推奨寸法 (部品実装)  
RECOMMENDED P.C.B. LAYOUT (COMPONENT SIDE)



- 注記  
NOTE :
- ▲ターミナル めっき仕様  
TERMINAL PLATING  
 金めっき: 0.38µm MIN. (接点部)  
 GOLD: 0.38 µm MIN. (CONTACT AREA)  
 半田めっき: 1.0µm MIN. (プレスフィット部)  
 TIN-LEAD: 1.0µm MIN. (PRESS-FIT AREA)  
 ニッケルメッキ: 2.0µm MIN. (下地めっき)  
 NICKEL: 2.0 µm MIN. (UNDER PLATING)
  - 2. 推奨基板厚: t=1.6, 2.4mm  
RECOMMENDED P.C.B. THICKNESS: t=1.6, 2.4mm
  - 3. 適合プラグ: 53901-\*\*\*4, 55222-\*\*\*4, 55089-\*\*\*4  
APPLICABLE PLUG: 53901-\*\*\*4, 55222-\*\*\*4, 55089-\*\*\*4
  - ▲製品番号及びロットナンバー  
MATERIAL NO. & LOT NO.

94	95.98	54613-1920	192
58	59.98	54613-1200	120
22	23.98	54613-0480	48
10	11.98	54613-0240	24
B	A	MATERIAL NO.	PIN

REVISED EC NO: SB94000407750175 DRWN: FANG05 2007/04/10 CHKD: HWANG 2006/09/29 APPR: INCHEM 2007/04/18	QUALITY SYMBOLS ▽=0 △=0	GENERAL TOLERANCES (UNLESS SPECIFIED)	DIMENSION STYLE MM ONLY	SCALE	DESIGN UNITS METRIC	THIRD ANGLE PROJECTION
		mm INCH	DRAWN BY DATE S.HOSHIKAWA 1999/08/23	TITLE MFB B/B(FB+)REC ASSY 4ROWS PRESS-FIT		
		4 PLACES ±--- ±---	CHECKED BY DATE A.NODA 1999/08/23			
		3 PLACES ±--- ±---	APPROVED BY DATE H.IKESUGI 1999/08/23			
		2 PLACES ±0.25 ±---				
	1 PLACE ±0.25 ±---	ANGULAR ± 3 °	MATERIAL NO.	DOCUMENT NO.	SHEET NO.	
		DRAFT WHERE APPLICABLE MUST REMAIN WITHIN DIMENSIONS	SEE TABLE	SD-54613-003	1 OF 1	

9 8 7 6 5 4 3 2 1