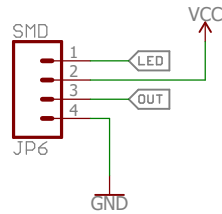
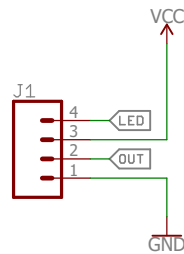


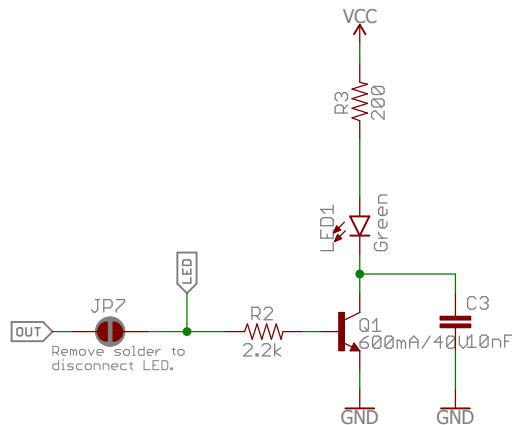
### SMD Header



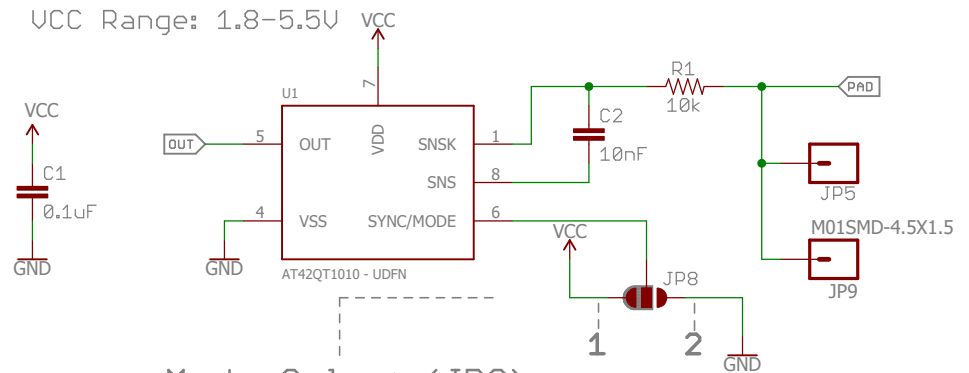
### PTH Header



### LED



### Capacitive Touch



Mode Select (JP8):  
AT42QT -1010/1011

<b>1</b>	<b>Fast mode</b> Fast response time: 1ms delay between samples. (200µA - 750µA draw)
<b>2</b>	<b>Low power mode</b> Slower response time: 80ms sleep at end of sample, temporarily switches to fast mode upon detection. (15µA - 75µA draw)

#### Special Instructions



#### Versions

- AT42QT1010
- AT42QT1011

Released under the Creative Commons Attribution Share-Alike 4.0 License <a href="https://creativecommons.org/licenses/by-sa/4.0/">https://creativecommons.org/licenses/by-sa/4.0/</a>		
TITLE: AT42QT101X_Capacitive_Touch_Breakout		
Design by: Shawn Hymel	Revised by: Elias Santistevan	REV: v20
Date: 1/18/2018 9:44 AM	Sheet: 1/1	