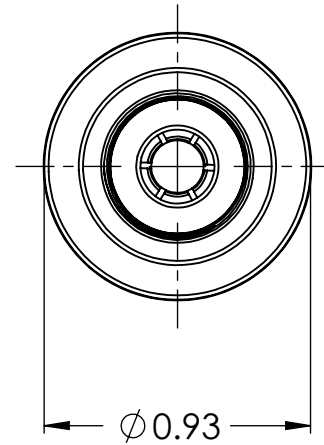
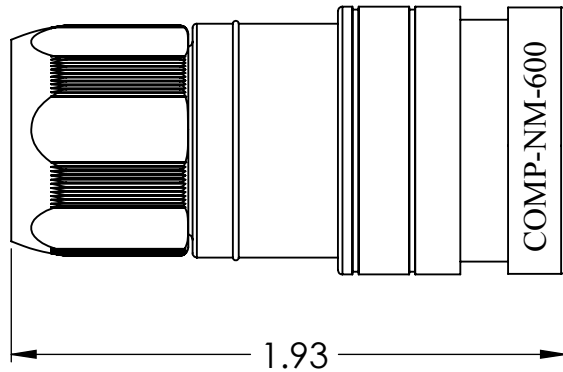


REV	DESCRIPTION	DATE	APPR
-	ENGINEERING RELEASE	2/3/2016	JDM



SPECIFICATIONS:

IMPEDANCE: 50 Ohms
 FREQUENCY RANGE: 0-7.0 GHz
 TEMPERATURE RANGE: -55°C TO 85°C
 WATERPROOF DESIGN: IP68 RATED

9	11681-01	COMPRESSION RING, 50 OHM, N MALE, 600	1
8	11680-01	CLAMP, 50 OHM, N MALE, 600	1
7	11556-01	NUT, 50 OHM, N MALE	1
6	11563-01	GASKET, 50 OHM, N MALE, 400	1
5	11562-01	NUT RETAINER, 50 OHM, N MALE, 400	1
4	11682-01	POST, 50 OHM, N MALE, 600	1
3	11678-01	INSULATOR, 50 OHM, N MALE, 600	1
2	11683-01	CONTACT, 50 OHM, N MALE, 600	1
1	11679-01	BODY, 50 OHM, N MALE, 600	1
#	PART #	DESCRIPTION	QTY

UNLESS OTHERWISE SPECIFIED

ALL DIMENSIONS ARE FOR REFERENCE ONLY. ALL DIMENSIONS ARE IN INCHES. INTERPRET DIMENSIONS PER ASME Y14.5M-1994.

RoHS
COMPLIANT

	NAME	DATE
DRAWN	C. ZUÑIGA	02/02/16
APPROVED		
CBL GROUP	N/A	
CODE:	000000	
MATERIAL:	BRASS	
FINISH:	WHITE BRONZE	

RF INDUSTRIES
 7610 MIRAMAR RD. SAN DIEGO, CA. 92126
 858-549-6340 FAX 858-549-6345

THESE DRAWINGS AND SPECIFICATIONS ARE THE PROPERTY OF RF INDUSTRIES LTD AND SHALL NOT BE REPRODUCED, COPIED OR USED AS A BASIS FOR MANUFACTURE OR SALE OF EQUIPMENT OR DEVICES WITHOUT WRITTEN PERMISSION.

TITLE: **N MALE FOR 600**

SCALE	DWG. NO.	SHEET	REV
NTS	COMP-NM-600	1 OF 1	-