

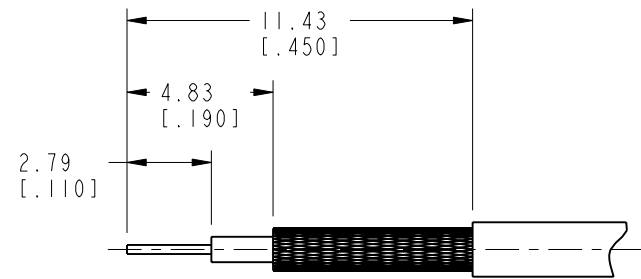
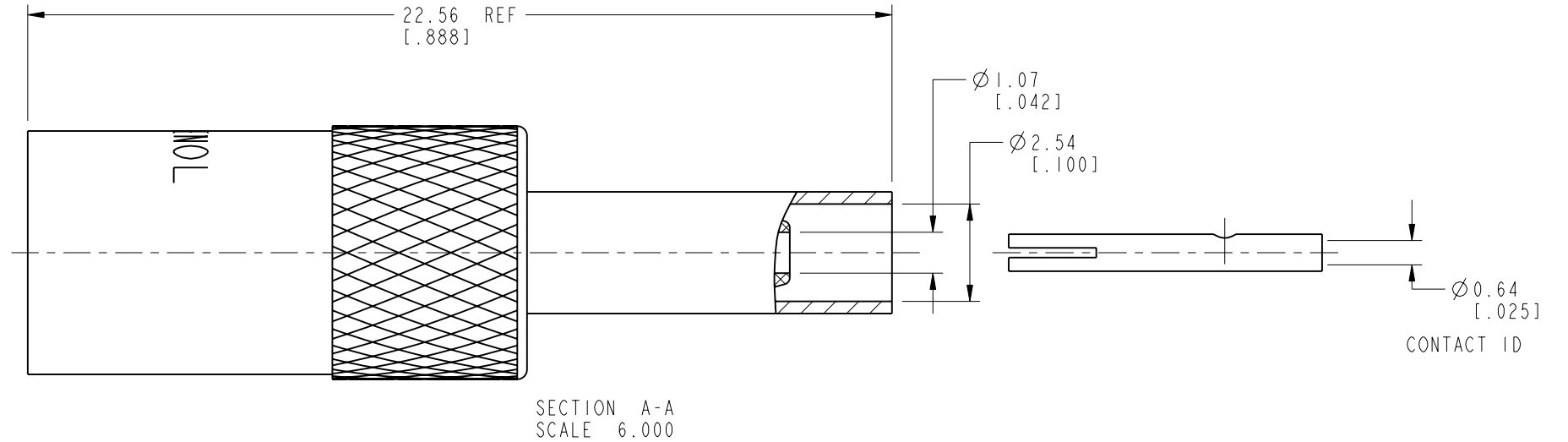
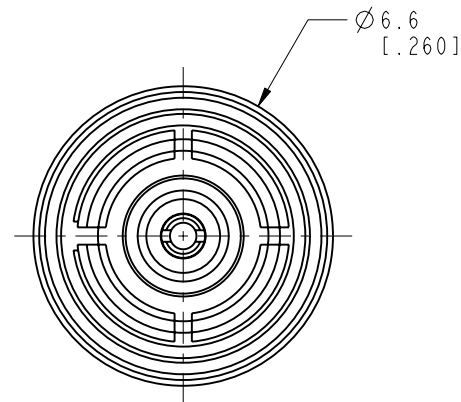
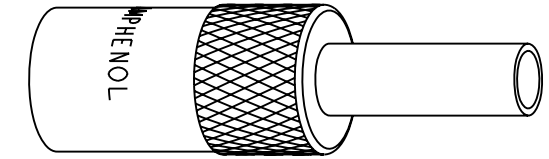
NOTES:

1. MATERIALS AND FINISHES:
 BODY - ZINC ALLOY, GOLD PLATING
 CONTACT - BERYLLIUM COPPER, GOLD PLATING
 INSULATOR - PTFE
 FERRULE- BRASS, GOLD PLATING
 RETAINING RING - BERYLLIUM COPPER, NICKEL PLATING
 OUTER CONTACT - BRASS, GOLD PLATING
2. ELECTRICAL:
 A. IMPEDANCE: 50 OHM
 B. FREQUENCY RANGE: DC - 4 GHz
3. MECHANICAL:
 A. DURABILITY: 500 CYCLES MIN.
 B. TEMPERATURE RANGE: -65° C TO 165° C
4. PACKAGING:
 A. QUANTITY: SINGLE PACK
 B. MARKING: BAG TO BE MARKED
 "AMPHENOL RF, 903-578P-51S, AND DATE CODE"
5. CRIMP USING CRIMP TOOL 227-944, CRIMP DIE 227-1221-03
 CAVITY "B" (.105 HEX)
 OPTIONAL: IF CONTACT IS TO BE CRIMPED USE TOOL 227-1454,
 POSITIONER 227-1475 SETTING 5.
6. DO NOT SCALE THIS DRAWING.

THIRD ANGLE PROJ.

REVISIONS

REV	DESCRIPTION	DATE	ECO	APPR
A	OFFICIAL ENG. RELEASE TO MFG.	4-May-99	42912	PB
B	ADD CRIMP CONTACT TOOLS TO NOTE 2	4-Nov-99	43172	PB
C	REDRAWN TO GLOBAL FORMAT \RD-DMI5122101S2	31-Dec-15	50808	SS



CABLE STRIPPING DIMENSIONS

CUSTOMER OUTLINE DRAWING

ALL OTHER SHEETS ARE FOR INTERNAL USE ONLY

UNLESS OTHERWISE SPECIFIED, DIMENSIONS ARE IN METRIC AND TOLERANCES ARE: < 0.5mm ± 0.05mm 0.5 - 6mm ± 0.1mm 6 - 30mm ± 0.2mm 30 - 120mm ± 0.3mm ANGLES ± 1°	MATERIAL	DRAWN	DATE	TITLE SMB PLUG FOR RG-178/U CABLE		Amphenol RF www.amphenolrf.com	
	SEE NOTES	S. DUAN	31-Dec-15				
NOTICE - These drawings, specifications, or other data (1) are, and remain the property of Amphenol corp. (2) must be returned upon request; and (3) are confidential and not to be disclosed to any person other than those to whom they are given by Amphenol Corp. the furnishing of these drawings, specifications, or other data by Amphenol Corp., or to any other person to anyone for any purpose is not to be regarded by implication or otherwise in any manner licensing, granting rights to permitting such holder or any other person to manufacture, use or sell any product, process or design, patented or otherwise, that may in any way be related to or disclosed by said drawings, specifications, or other data.	REFERENCE AND CONFIGURATION LEVEL:	ENGINEER	DATE	SCALE: 3.0:1.0		SHEET 2 OF 2	
	FINISH SEE NOTES	S. HSIEH	04-Jan-16	DWG SIZE B		REV C	
							DRAWING NO. 903-578P-51S
						ITEM NO. 903-578P-51S	
						PART NO. 903-578P-51S	