



LAYOUT SHOWN AS EXAMPLE

Keying Shown as example

CHARACTERISTICS

- Standard : Based on MIL-DTL-38999 Series III
- Shell Material : Aluminium
- Shell Plating : Nickel
- Insulator : Thermoplastic
- Contacts : Copper Alloy
- Seals & Grommet : Silicon Elastomer
- Contact Plating : Gold over copper Alloy 0.8µm minimum
- Durability : 500 Mating cycles
- Delivered without Souriau contacts
- Temperature Range : -65°C to +200°C
- Salt Spray : 48 hours
- Mass : 63.96 g ± 10%

| Connector dimension | |
|---------------------|-----------------|
| Dim | Nominal |
| A | 58.7±0.3 |
| B | 42.85+0.1/-0.15 |
| R | 32.5Max |
| S | 55.6±0.4 |
| W | 3+0.9/-0.1 |
| VV THREAD | M37x1-6g |

SOURIAU shall not be liable for any non-conformity or damage due to a use of the Products which does not comply with the Specifications issued by either of the Parties or by a third party (professional recommendation, technical notice.)

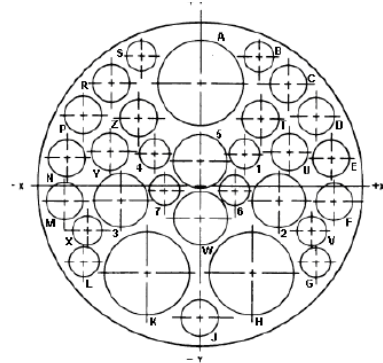
| Country | Jurisdiction & Control List |
|---------|-----------------------------|
| FR | Not Listed |

PN: 8D725F20SCL

| | | | |
|--------------|---|--------------------------------|---|
| A | 03-10-2016 | First Release | |
| ISS | DATE | Latest modification - by | MOD N° |
| Designed By: | | Date: | CUSTOMER DRAWING |
| TITLE | Aluminium Receptacle 8D series | | |
| SCALE | | General linear Tolerances: ±-- | NPRDS / PROJECT 859 |
| NA | SOURIAU WWW.SOURIAU.COM | | This document is the property of SOURIAU it must not be reproduced or communicated without permission |
| FORMAT | A3 | | SOURIAU DRG N° 8D725F20SCL-C |
| | | | SHEET 1/2 |

| | | | | | | | | | | |
|---------------|--------------------------|---|---|----|---|----|---|---|---|------------------------------------|
| BASIC SERIES: | 8D | 7 | - | 25 | F | 20 | S | C | L | Delivered W/O Contacts |
| SHELL TYPE | : Jam nut Receptacle | | | | | | | | | ORIENTATION : C |
| CONTACT TYPE | : Standard Crimp Contact | | | | | | | | | CONTACT TYPE : SOCKET(500 Matings) |
| SHELL SIZE | : 25 | | | | | | | | | CONTACT LAYOUT : 25-20 |
| PLATING | : F = Nickel | | | | | | | | | |

Contact Layout



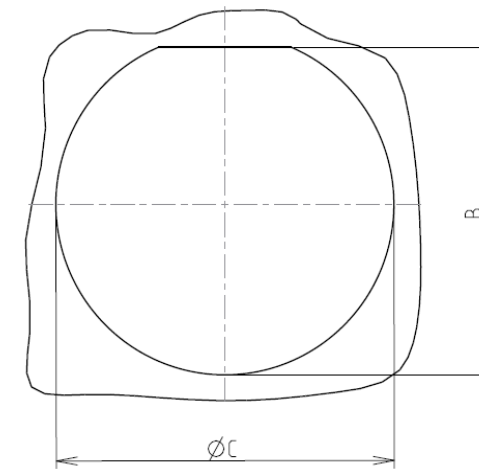
| Contacts (Insert arrangement 25-20) | | | | | |
|--|--------------|--------------|---------------------|--------------|--------------|
| Contact position ID | Location | | Contact position ID | Location | |
| | X-axis (mm) | Y-axis (mm) | | X-axis (mm) | Y-axis (mm) |
| A | +000 (0.00) | +407 (10.34) | S | -234 (5.94) | +511 (12.98) |
| B | +234 (5.94) | +511 (12.98) | T | +243 (6.17) | +270 (6.86) |
| C | +352 (8.94) | +411 (10.44) | U | +357 (9.07) | +136 (3.45) |
| D | +466 (11.84) | +275 (6.99) | V | +450 (11.43) | -183 (4.65) |
| E | +530 (13.46) | +111 (2.82) | W | +000 (0.00) | -131 (3.33) |
| F | +537 (13.64) | -060 (1.52) | X | -450 (11.43) | -183 (4.65) |
| G | +467 (11.86) | -312 (7.92) | Y | -357 (9.07) | +136 (3.45) |
| H | +208 (5.28) | -353 (8.97) | Z | -243 (6.17) | +270 (6.86) |
| J | +000 (0.00) | -541 (13.74) | 1 | +195 (4.95) | +115 (2.92) |
| K | -208 (5.28) | -353 (8.97) | 2 | +317 (8.05) | -061 (1.55) |
| L | -467 (11.86) | -312 (7.92) | 3 | -317 (8.05) | -061 (1.55) |
| M | -537 (13.64) | -060 (1.52) | 4 | -195 (4.95) | +115 (2.92) |

| Contacts (Insert arrangements 25-20) | | | | | |
|---|--------------|--------------|---------------------|-------------|-------------|
| Contact position ID | Location | | Contact position ID | Location | |
| | X-axis (mm) | Y-axis (mm) | | X-axis (mm) | Y-axis (mm) |
| N | -530 (13.46) | +111 (2.82) | 5 | +000 (0.00) | +099 (2.51) |
| P | -466 (11.84) | +275 (6.99) | 6 | +141 (3.58) | -018 (0.46) |
| R | -352 (8.94) | +411 (10.44) | 7 | -141 (3.58) | -018 (0.46) |

| Shell size | Arrangement no. | Number of contacts | Size contacts | Service rating | Contact location | Standard contact | |
|------------|-----------------|-----------------------------|---------------|----------------|---------------------------------------|------------------|----------------|
| | | | | | | Pin | Socket |
| 25 | -20 | 3 | 8 | Twinax | A,H,K | M39029/90-529 | M39029/91-530 |
| | | 4 | 12 | Coax | 2,3 | M39029/28-211 | M39029/75-416 |
| | | 13 | 16 | N | W,5 | M39029/102-558 | M39029/103-559 |
| | | | | | C,D,E,F, J,M,N,P, R,T,U,Y, Z | M39029/58-364 | M39029/56-352 |
| 10 | 20 | B,G,L,S, V,X,1,4, 6,7 | M39029/58-363 | M39029/56-351 | | | |

Panel cutout

JAM NUT RECEPTACLE (TYPE 7)



| Dim | Nominal |
|-----|---------------|
| B | 43.43+0/-0.25 |
| ØC | 44.7+0.25/-0 |

SOURIAU shall not be liable for any non-conformity or damage due to a use of the Products which does not comply with the Specifications issued by either of the Parties or by a third party (professional recommendation, technical notice.)

| Country | Jurisdiction & Control List |
|---------|-----------------------------|
| FR | Not Listed |

PN: 8D725F20SCL

| | | | |
|----------------|-------------------------------------|----------------------------|---|
| A | 03-10-2016 | First Release | |
| ISS | DATE | Latest modification - by | MOD N° |
| Designed By: | | Date: | CUSTOMER DRAWING |
| TITLE | Aluminium Receptacle 8D series | | |
| SCALE | | General linear Tolerances: | NPRDS / PROJECT |
| NA | | ±-- | 859 |
| SOURIAU | WWW.SOURIAU.COM | | This document is the property of SOURIAU it must not be reproduced or communicated without permission |
| FORMAT | SOURIAU DRG N° 8D725F20SCL-C | | SHEET 2/2 |