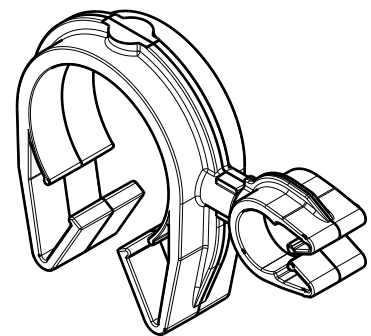
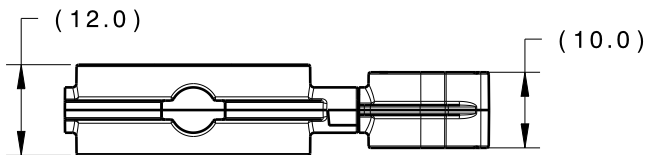
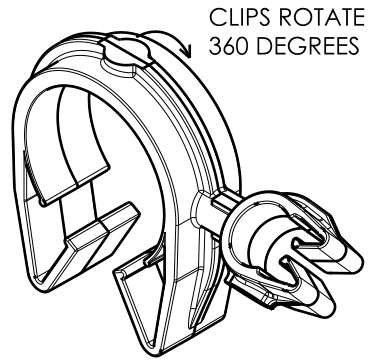
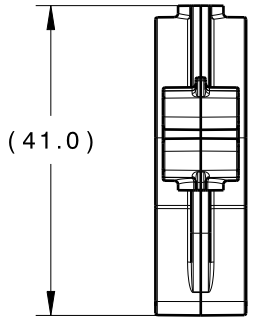
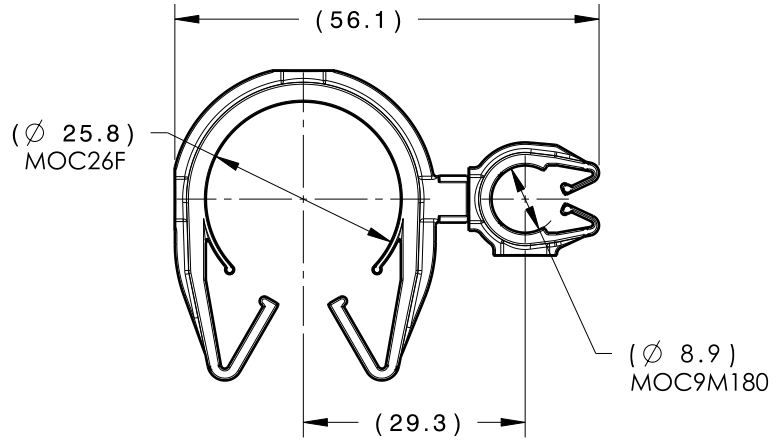


Revision Level			Revision Record	Changed	Date	Approved	Date
Drawing	State	Part					
00.2	Design Release	-	SEE ECN# 014774	TAT	12/3/2018	EJH	12/3/2018



ISOMETRIC VIEW



ISOMETRIC VIEW ROTATED

TYPE	MOC26F	MOC9M180
HARNESS	24.5MM – 28.5MM	8.5MM - 10.0MM
HOSE	23.0MM – 28.5MM	8.0MM - 10.0MM
HARD PIPE/TUBE	25.9MM – 29.0MM	9.0MM - 10.0MM

*RECOMMENDED SIZES MAY DIFFER DEPENDING ON THE APPLICATION , PRODUCT REQUIREMENTS AND MATERIALS USED

**PATENT PENDING 29/582,271

GLOBAL PART DESCRIPTION	MOC26F**			MOC9M180		
	DRAWING	MATERIAL	COLOR	DRAWING	MATERIAL	COLOR
MOC26FMOC9M180-PA66HIRHSUV-BK	16-0325-000-CSU	PA66HIRHSUV	BLACK	16-0317-000-CSU	PA66HIRHSUV	BLACK

Material SEE CHART COLOR: SEE CHART	Units	millimeters	The copyright of this drawing is reserved by HellermannTyton. It is issued on condition that it is not reproduced, copied or disclosed to a third party, either wholly or in part, without the consent of HellermannTyton.	Drawn	CJR	10/1/18	Article/Type-No MOC26FMOC9M180	Scale	1:1		
	Tolerance defined on each dimension	PRODUCTION : Phase		Approved	TAT	10/1/18		Title 26MM MOC COUPLED TO A 9MM MOC M180	Project Number	16-0330	
				 North America Email: corp@htamericas.com Web: www.hellermann.tyton.com			Drawing-No		16-0330-826-CSU	Format	AH
							Sheet		1/1		