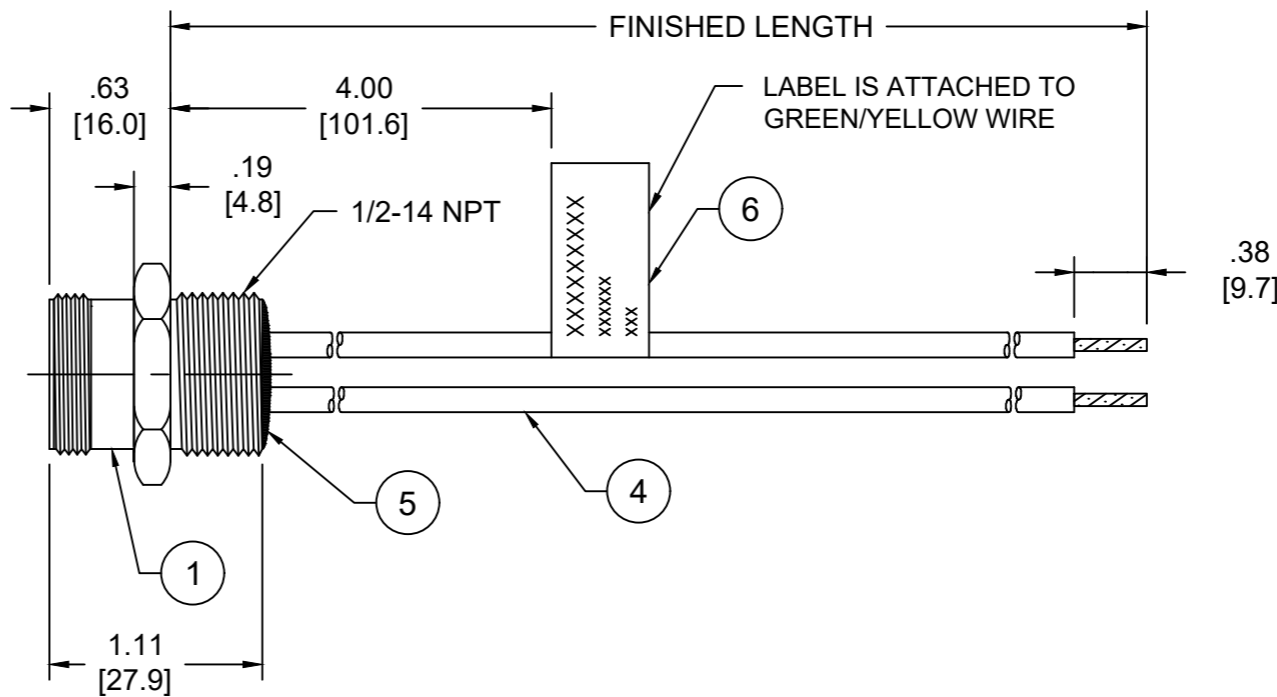
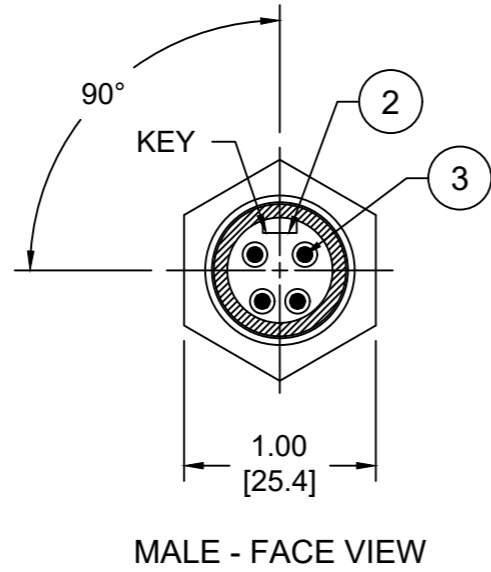
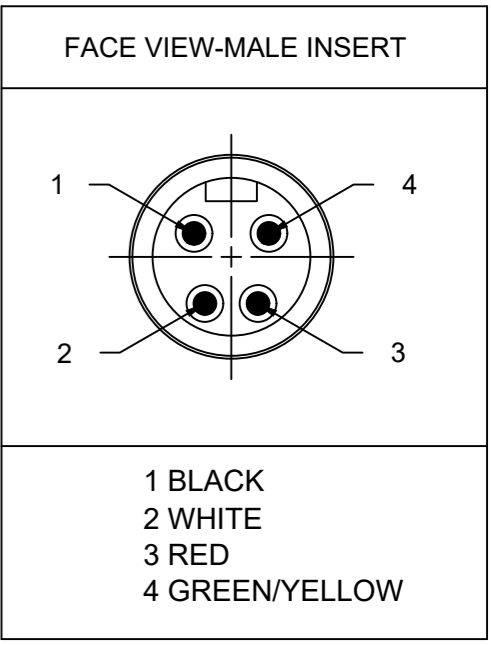
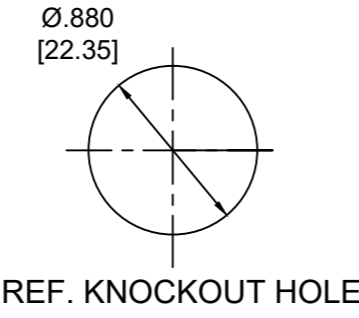


| PART NO | ENGINEERING NO. | FINISHED LENGTH |
|------------|-----------------|-----------------|
| 1300130372 | 1R4006A28A060G | 6IN [0.5 FT] |
| 1300660088 | 1R4006A28F060G | 6FT [1M 32 IN] |
| 1300660095 | 1R4006A28M050G | 5M [16 FT 5 IN] |



- NOTES:
- MATERIAL: AS NOTED
 - FINISH: AS NOTED
 - ELECTRICAL:
VOLTAGE: 483V PER IEC60664
600V PER UL2237
CURRENT: 15A
 - TEMP RATING: -20°TO +105°C (C)
 - PROTECTION: IP67 (WHEN MATED)
 - COUPLING THREAD: 7/8-16UN
 - UL LISTED FILE: E258922
 - ALL DIMENSIONS ARE FOR REFERENCE UNLESS TOLERANCED OR NOTED OTHERWISE



PART NO. MATRIX
1R4006A28A060G

FINISHED LENGTH:
A060= 6 IN.
F020= 2 FEET
M005= 1 METER
M100= 10 METER

CABLE LENGTH TOLERANCES

| | |
|--------------------------|-------------------------|
| <.3M [1FT]: | +19mm-0 [+1.75in-0] |
| .3 - .9M [1 - 3FT]: | +44.5mm-0 [+1.75in-0] |
| .9 - 1.8M [3 - 6FT]: | +55.6mm-0 [+2.19in-0] |
| 1.8 - 3.7M [6 - 12FT]: | +88.9mm-0 [+3.50in-0] |
| 3.7 - 7.3M [12 - 24FT]: | +165.1mm-0 [+6.50in-0] |
| 7.3-14.6M [24 - 48FT]: | +317.5mm-0 [+12.50in-0] |
| 14.6 - 30.5M [48-100FT]: | +622.3mm-0 [+24.50in-0] |
| OVER 30M [100FT] | +2% OF FINISHED LENGTH |

| ITEM | DESCRIPTION | MATERIAL | FINISH |
|------|-----------------------|----------------|------------------|
| 6 | FLAG LABEL | VINYL | BLACK/YELLOW |
| 5 | POTTING MATERIAL | EPOXY | |
| 4 | WIRE, 14 AWG (UL1015) | PVC INSULATION | SEE FACE VIEW |
| 3 | CONTACT PIN | COPPER ALLOY | GOLD OVER NICKEL |
| 2 | MALE INSERT | TPE | BLACK |
| 1 | RECEPTACLE SHELL | ZINC DIE-CAST | BLACK |

| | | | | | | | |
|--|---|------------------------|---|------------------------------|----------------------------|----------------|--------------|
| FUNCTIONAL SYMBOLS F=0 E=0 P=0 | THIS DRAWING CONTAINS INFORMATION THAT IS PROPRIETARY TO MOLEX ELECTRONIC TECHNOLOGIES, LLC AND SHOULD NOT BE USED WITHOUT WRITTEN PERMISSION | | CURRENT REV DESC: ITEM #2 WAS PVC. MODIFIED | | | | |
| | DIMENSION UNITS | SCALE | TEMP RATING & PN CHART | | | | |
| | INCH/MM | NTS | | | | | |
| | GENERAL TOLERANCES (UNLESS SPECIFIED) | | | | | | |
| DIVISIONAL SYMBOLS | 4 PLACES | ±---- | ±---- | EC NO: 669893 | | | |
| | 3 PLACES | ±---- | ±---- | DRWN: ABENJAMINLW 2021/04/20 | | | |
| | 2 PLACES | ±---- | ±---- | CHK'D: RSTONE 2021/07/12 | | | |
| | 1 PLACE | ±---- | ±---- | APPR: BWOODMAN 2021/07/14 | | | |
| ANGULAR TOL ± ---- ° | | INITIAL REVISION: | | DOCUMENT NUMBER | DOC TYPE/DOC PART/REVISION | | |
| DRAFT WHERE APPLICABLE MUST REMAIN WITHIN DIMENSIONS | | THIRD ANGLE PROJECTION | DRAWING | SERIES | MATERIAL NUMBER | CUSTOMER | SHEET NUMBER |
| | | | B-SIZE | 130066 | SEE CHART | GENERAL MARKET | 1 OF 1 |