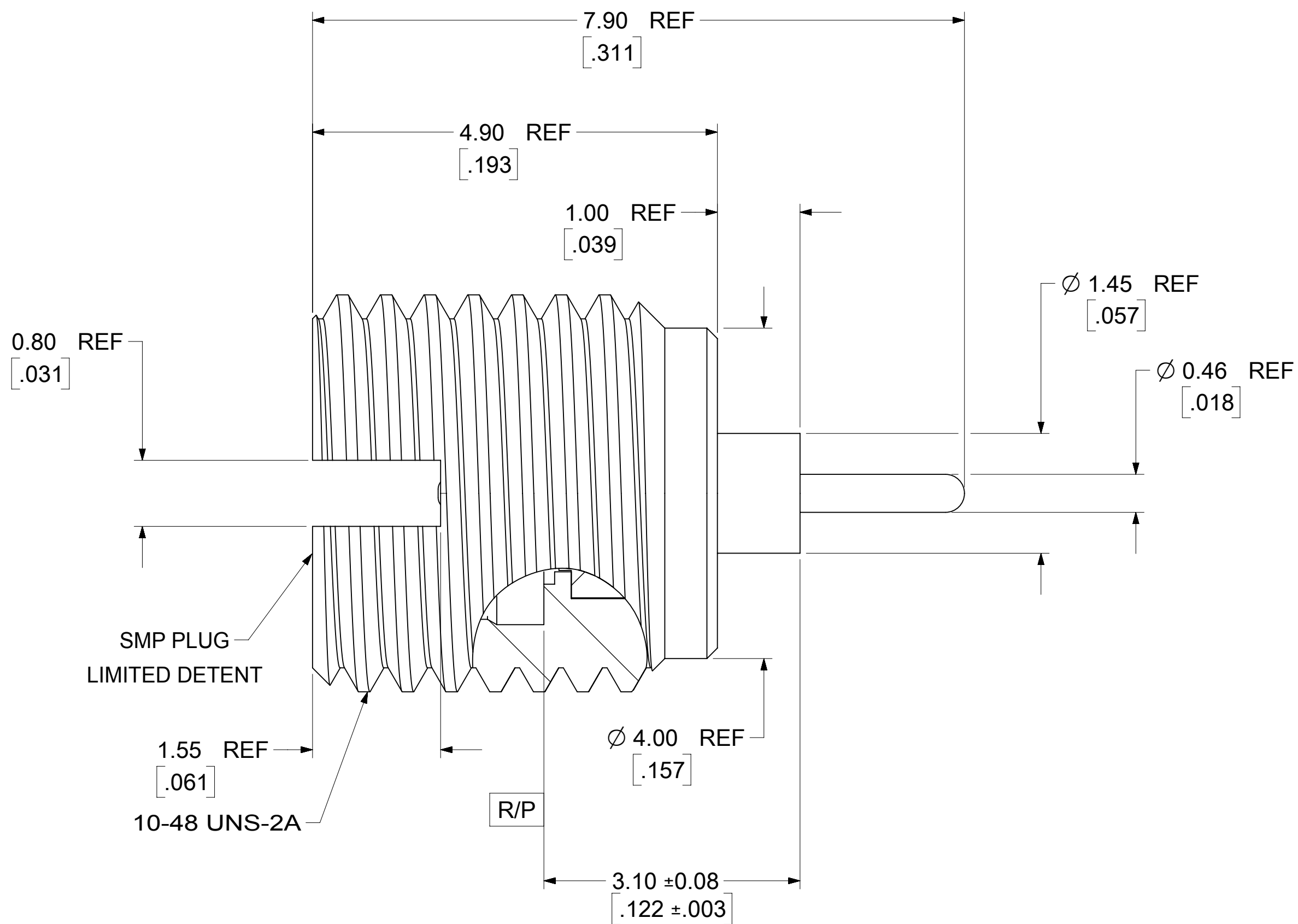
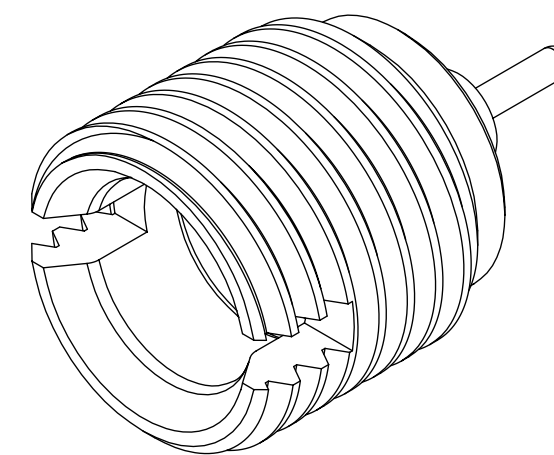


MATERIALS AND FINISHES:

BODY: STAINLESS STEEL
 PLATED: PASSIVATED

CENTER CONTACT: BERYLLIUM COPPER
 PLATED: GOLD (50µ-in MIN)
 OVER NICKEL (100µ-in MIN)

INSULATOR: PTFE



SMP PLUG
 LIMITED DETENT

| | | |
|------------|-------------|--------------|
| 73415-5561 | ONE PER BAG | 895420470 |
| 73415-5560 | TRAY | 895420040 |
| PART # | PACKAGING | PACKING SPEC |

| | |
|--------------------------|-----------------------|
| PS-89675-3320 | PRODUCT SPECIFICATION |
| MIL-STD-348B, FIG. 326.3 | INTERFACE SMP LD |
| SPECIFICATION | DESCRIPTION |

| | | | |
|--|---|------------------------|--|
| FUNCTIONAL SYMBOLS | THIS DRAWING CONTAINS INFORMATION THAT IS PROPRIETARY TO MOLEX ELECTRONIC TECHNOLOGIES, LLC AND SHOULD NOT BE USED WITHOUT WRITTEN PERMISSION | | |
| | DIMENSION UNITS | SCALE | CURRENT REV DESC: |
| $\frac{F}{A} = 0$ | MM/INCH | NTS | EWR # 15321-E ADDED -5561 PART NO |
| $\frac{E}{C} = 0$ | GENERAL TOLERANCES (UNLESS SPECIFIED) | | EC NO: 718007 DRWN: JSU18 2022/08/11 CHK'D: YCHENG 2022/08/24 APPR: YCHENG 2022/08/24 |
| $\frac{E}{P} = 0$ | ANGULAR TOL ± 2.0° | | |
| DIVISIONAL SYMBOLS | 4 PLACES | ± | INITIAL REVISION: DRWN: SSHAH 2005/09/23 APPR: JWIENER 2005/09/23 |
| | 3 PLACES | ± | |
| | 2 PLACES | ± 0.25 | |
| | 1 PLACE | ± | |
| | 0 PLACES | ± | |
| DRAFT WHERE APPLICABLE MUST REMAIN WITHIN DIMENSIONS | | THIRD ANGLE PROJECTION | DRAWING SERIES |
| | | | C-SIZE 73415 |
| DOCUMENT STATUS | | DOC TYPE | DOC PART |
| P1 | RELEASE DATE | PSD | 001 |
| 2022/08/24 | 02:18:09 | A3 | |
| MATERIAL NUMBER | | CUSTOMER | SHEET NUMBER |
| SD-73415-556 | | GENERAL MARKET | 1 OF 1 |