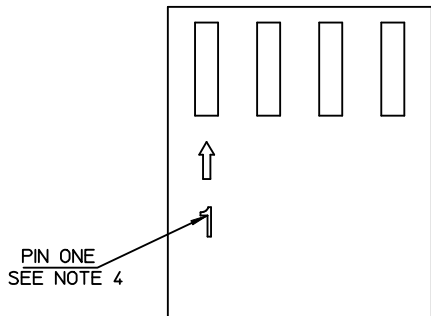
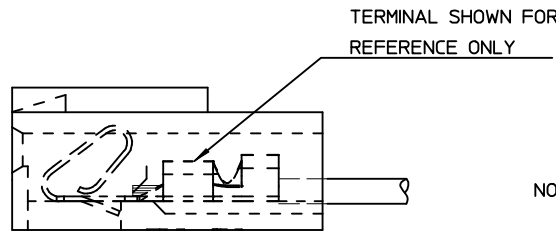
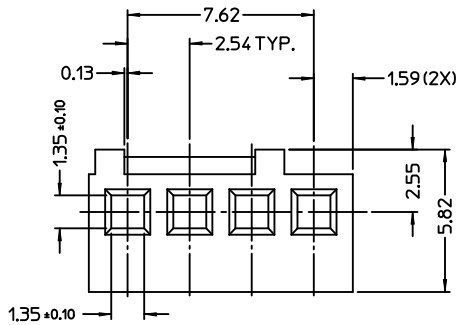
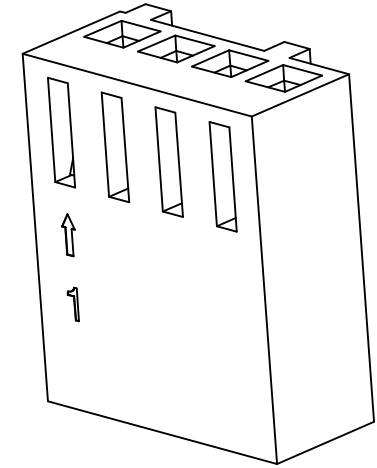
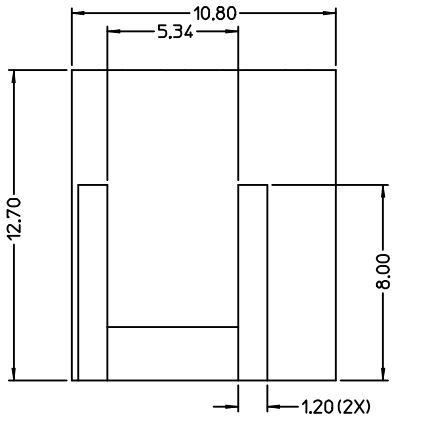


NOTES:

1. MATERIAL: NYLON, UL94V-0, COLOR: NATURAL(WHITE).
2. HOUSING TO BE USED WITH CRIMP TYPE TERMINAL NO.2759,22-30 GAUGE WIRE WITH 1.57 DIA. MAXIMUM WIRE INSULATION.
3. THIS HOUSING CONFORMS TO MOLEX PRODUCT SPEC. NO. PS-47053-001.
4. CIRCUIT NO. "1" TO APPEAR ON PARTS.
5. HOUSING TO BE MATE WITH HEADER SERIES 47053

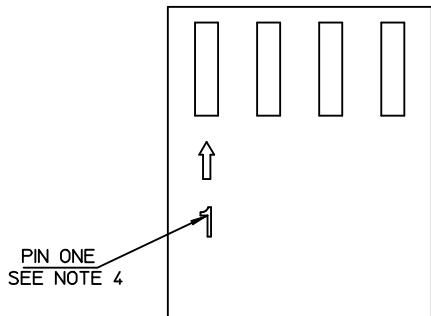


NEW PART EC NO: UCP2017-1234 DRWN: SNAGARAVED/16/12/05 CHKD: APPR: ISHWARG 2016/12/08 REV B	QUALITY SYMBOLS	GENERAL TOLERANCES (UNLESS SPECIFIED)		SCALE 1:1	DESIGN UNITS METRIC	THIRD ANGLE PROJECTION	REVISE ON CAD ONLY	
	▼ - 0 ▽ - 0	4 PLACES	mm	INCH	DIMENSION STYLE MM ONLY		TITLE 4 PIN HOUSING FOR CRIMP TERMINALS	
		3 PLACES	± ---	± ---	DRAWN BY RZHANG	DATE 2003/10/31		
		2 PLACES	± 0.13	± ---	CHECKED BY HJYIN	DATE 2003/10/31		
	1 PLACE	± 0.25	± ---	APPROVED BY SHUANG	DATE 2003/10/31	MATERIAL NO. 47054-1000	DOCUMENT NO. SD-47054-001	
	ANGULAR ± 3°		DRAFT WHERE APPLICABLE MUST REMAIN WITHIN DIMENSIONS		THIS DRAWING CONTAINS INFORMATION THAT IS PROPRIETARY TO MOLEX INCORPORATED AND SHOULD NOT BE USED WITHOUT WRITTEN PERMISSION			
						MATERIAL NO. 47054-1000	DOCUMENT NO. SD-47054-001	
							SHEET NO. 1 OF 1	



NOTES:

1. MATERIAL: NYLON, UL94V-0, COLOR: NATURAL(WHITE).
2. HOUSING TO BE USED WITH CRIMP TYPE TERMINAL NO.2759,22-30 GAUGE WIRE WITH 1.57 DIA. MAXIMUM WIRE INSULATION.
3. THIS HOUSING CONFORMS TO MOLEX PRODUCT SPEC. NO. PS-47053-001.
4. CIRCUIT NO. "1" TO APPEAR ON PARTS.
5. HOUSING TO BE MATE WITH HEADER SERIES 47053



NEW PART EC NO: UCP2017-1234 DRWN: SNAGARAVED/16/12/05 CHKD: APPR: ISHWARG 2016/12/08 REV B	QUALITY SYMBOLS	GENERAL TOLERANCES (UNLESS SPECIFIED)		SCALE 1:1	DESIGN UNITS METRIC	THIRD ANGLE PROJECTION	REVISE ON CAD ONLY
	▼ -0 ▽ -0	4 PLACES	mm	INCH	DIMENSION STYLE MM ONLY		TITLE 4 PIN HOUSING FOR CRIMP TERMINALS MOLEX INCORPORATED
		3 PLACES	± ---	± ---	DRAWN BY RZHANG	DATE 2003/10/31	
		2 PLACES	± 0.13	± ---	CHECKED BY HJYIN	DATE 2003/10/31	
1 PLACE	± 0.25	± ---	APPROVED BY SHUANG	DATE 2003/10/31	MATERIAL NO. 47054-1000	DOCUMENT NO. SD-47054-001	
DRAFT WHERE APPLICABLE MUST REMAIN WITHIN DIMENSIONS		THIS DRAWING CONTAINS INFORMATION THAT IS PROPRIETARY TO MOLEX INCORPORATED AND SHOULD NOT BE USED WITHOUT WRITTEN PERMISSION					