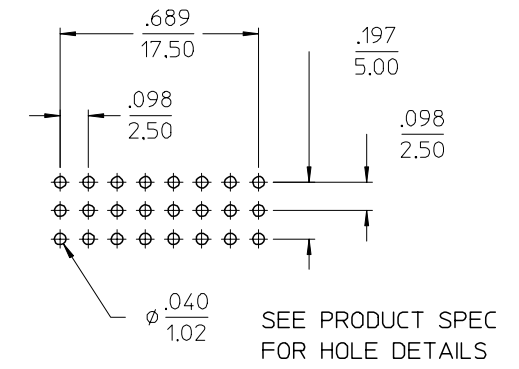
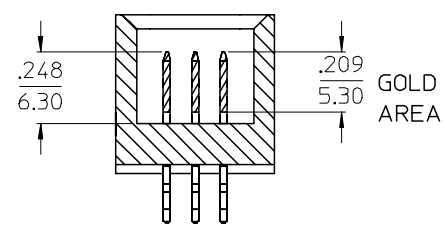
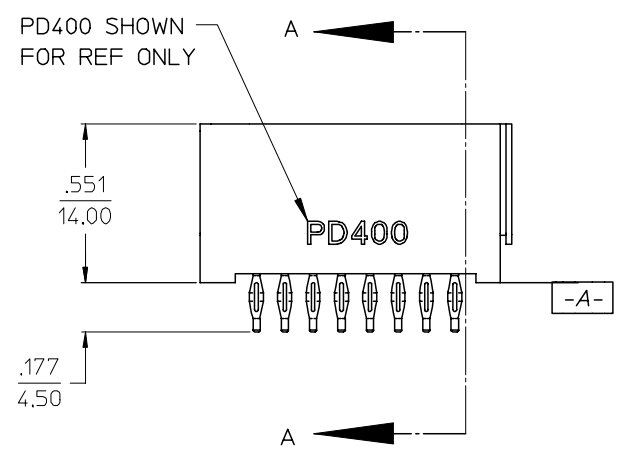
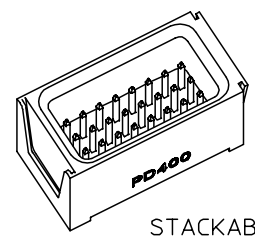


- NOTES:
1. HOUSING MATERIAL: LCP, GLASS FILLED, UL94V-0, COLOR-BLACK.  
CONTACTS: PHOSPHORE BRONZE
  2. FINISH: SELECT GOLD - 30 M.I. MIN / SELECT TIN - 150 M.I. MIN  
BOTH OVER NICKEL
  3. PRODUCT SPECIFICATION: PS-45424-001
  4. PACKAGING SPECIFICATION: TBD
  5. THIS MODULE INTERLOCKS WITH ANY OTHER MOLEX POWER DOCK MODULE
  6. DATUM -A- IS THE CONNECTOR MOUNTING SURFACE.



PCB LAYOUT: COMPONENT SIDE  
RECOMMENDED PCB THICKNESS: .093/2.36 MIN  
PCB TOLERANCE: ±.002/0.05



STACKABLE  
SEE NOTE 5  
SCALE 1:1

RELEASED EC NO: UCP2003-2238 DRWN: KSAMIEC 2003/05/06 CHKD: 2003/05/06 APPR: YMARGULI 2003/05/08 DESCRIPTION A REV	QUALITY SYMBOLS	GENERAL TOLERANCES (UNLESS SPECIFIED)	SCALE 1.5:1	DESIGN UNITS METRIC	THIRD ANGLE PROJECTION	REVISE ON CAD ONLY
	▽ - 0 ∇ - 0	mm	INCH	DIMENSION STYLE IN/MM		TITLE POWER DOCK MODULE SIGNAL 24 PIN VERT CPI 248 PD400 MOLEX INCORPORATED
		4 PLACES ± --- 3 PLACES ± --- 2 PLACES ± 0.25 1 PLACE ± 0.38	± --- ± .010 ± .015 ± ---	DRAWN BY SAMIEC CHECKED BY MARGULIS APPROVED BY MARGULIS	DATE 2003/02/12 DATE 2003/02/12 DATE 2003/02/12	
	DRAFT WHERE APPLICABLE		ANGULAR ±1/2°	THIS DRAWING CONTAINS INFORMATION THAT IS PROPRIETARY TO MOLEX INCORPORATED AND SHOULD NOT BE USED WITHOUT WRITTEN PERMISSION		A
MUST REMAIN WITHIN DIMENSIONS						