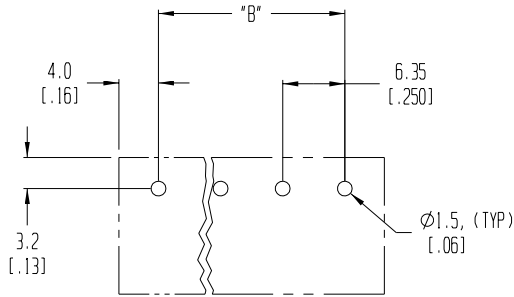
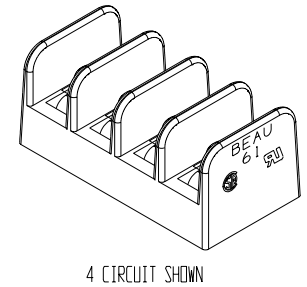
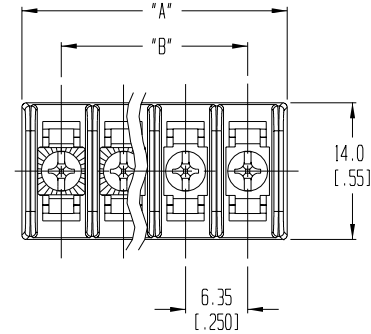


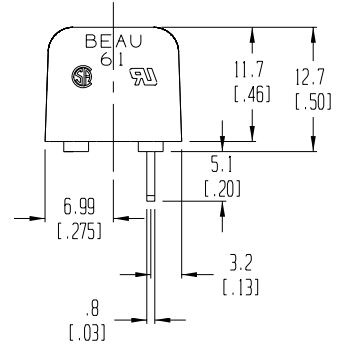
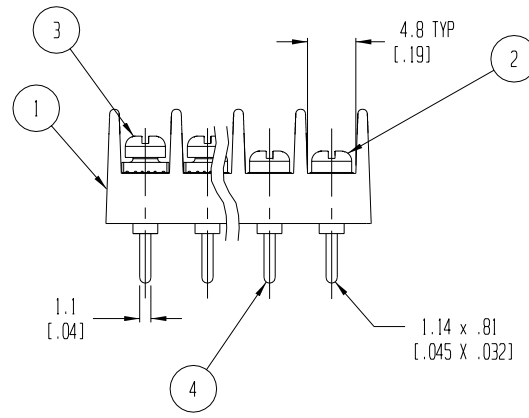
| MATERIAL NO. (-C OPTION) | MATERIAL NO. (-SO OPTION) | # OF CIRC. "XX" | "A"          | "B"          |
|--------------------------|---------------------------|-----------------|--------------|--------------|
| 386106602                | 386107802                 | 2               | 14.5 (.57)   | 6.4 (.25)    |
| 386106603                | 386107803                 | 3               | 20.8 (.82)   | 12.7 (.50)   |
| 386106604                | 386107804                 | 4               | 27.2 (1.07)  | 19.1 (.75)   |
| 386106605                | 386107805                 | 5               | 33.5 (1.32)  | 25.4 (1.00)  |
| 386106606                | 386107806                 | 6               | 39.9 (1.57)  | 31.8 (1.25)  |
| 386106607                | 386107807                 | 7               | 46.2 (1.82)  | 38.1 (1.50)  |
| 386106608                | 386107808                 | 8               | 52.6 (2.07)  | 44.5 (1.75)  |
| 386106609                | 386107809                 | 9               | 58.9 (2.32)  | 50.8 (2.00)  |
| 386106610                | 386107810                 | 10              | 65.3 (2.57)  | 57.2 (2.25)  |
| 386106611                | 386107811                 | 11              | 71.6 (2.82)  | 63.5 (2.50)  |
| 386106612                | 386107812                 | 12              | 78.0 (3.07)  | 69.9 (2.75)  |
| 386106613                | 386107813                 | 13              | 84.3 (3.32)  | 76.2 (3.00)  |
| 386106614                | 386107814                 | 14              | 90.7 (3.57)  | 82.6 (3.25)  |
| 386106615                | 386107815                 | 15              | 97.0 (3.82)  | 88.9 (3.50)  |
| 386106616                | 386107816                 | 16              | 103.4 (4.07) | 95.3 (3.75)  |
| 386106617                | 386107817                 | 17              | 109.7 (4.32) | 101.6 (4.00) |
| 386106618                | 386107818                 | 18              | 116.1 (4.57) | 108.0 (4.25) |
| 386106619                | 386107819                 | 19              | 122.4 (4.82) | 114.3 (4.50) |
| 386106620                | 386107820                 | 20              | 128.8 (5.07) | 120.7 (4.75) |
| 386106621                | 386107821                 | 21              | 135.1 (5.32) | 127.0 (5.00) |
| 386106622                | 386107822                 | 22              | 141.5 (5.57) | 133.4 (5.25) |
| 386106623                | 386107823                 | 23              | 147.8 (5.82) | 139.7 (5.50) |
| 386106624                | 386107824                 | 24              | 154.2 (6.07) | 146.1 (5.75) |
| 386106625                | 386107825                 | 25              | 160.5 (6.32) | 152.4 (6.00) |
| 386106626                | 386107826                 | 26              | 166.9 (6.57) | 158.8 (6.25) |
| 386106627                | 386107827                 | 27              | 173.2 (6.82) | 165.1 (6.50) |
| 386106628                | 386107828                 | 28              | 179.6 (7.07) | 171.5 (6.75) |
| 386106629                | 386107829                 | 29              | 185.9 (7.32) | 177.8 (7.00) |
| 386106630                | 386107830                 | 30              | 192.3 (7.57) | 184.2 (7.25) |
| 386106631                | 386107831                 | 31              | 198.6 (7.82) | 190.5 (7.50) |
| 386106632                | 386107832                 | 32              | 205.0 (8.07) | 196.9 (7.75) |



PROPOSED PTH PATTERN



4 CIRCUIT SHOWN



- NOTES:
1. MATERIAL: SEE TABLE
  2. FINISHES: SEE TABLE
  3. PRODUCT SPECIFICATION: NOT REQUIRED
  4. PACKAGING: NOT REQUIRED
  5. MATES WITH: NONE
  7. INCH DIMS ARE SHOWN IN PARENTHESIS (XXX)
  6. "XX" REFERS TO NUMBER OF CIRCUITS

| ITEM | QTY. | DESCRIPTION              | MATERIAL      | FINISH              |
|------|------|--------------------------|---------------|---------------------|
| 4    | XX   | TERMINAL, STYLE 5        | BRASS         | TIN PLATE           |
| 3    | XX   | SCREW & WASHER (-SO OPT) | STEEL         | ZINC/CLEAR CHROMATE |
| 2    | XX   | SCREW (STD.)             | BRASS         | NICKEL              |
| 1    | 1    | BARRIER TERMINAL STRIP   | THERMOPLASTIC | BLACK               |

|  |  |  |   |                                 |  |                        |   |
|--|--|--|---|---------------------------------|--|------------------------|---|
| EC NO. RELEASED<br>WH 10-22-03<br>DRWN: CH'K:<br>APPR: | DESCRIPTION<br>MAJOR<br>CRITICAL<br>SPC<br>S | QUALITY SYMBOLS  | GENERAL TOLERANCES:<br>(UNLESS SPECIFIED) | SCALE<br>2:1                    | DESIGN UNITS<br><input type="checkbox"/> mm <input checked="" type="checkbox"/> INCH | THIRD ANGLE PROJECTION | PROJECT NO. - 1 -<br>DIMENSIONS: SHT REV<br><input checked="" type="checkbox"/> mm <input type="checkbox"/> INCH <input type="checkbox"/> mm ONLY<br>REVISE ON CAD ONLY |
|  |  | 4 PLACES mm INCH ±.0015<br>3 PLACES ±.038 ±.005<br>2 PLACES ±.13 ±.01<br>1 PLACE ±.3 | DRAWN BY & DATE<br>W. HOWARD 10-22-03     | TITLE:<br>61 SERIES BTS PC ASSY |  |                        |   |
|  |  | ANGULAR: ±2°   | APPROVED BY & DATE                        | MOLEX INCORPORATED              |  |                        |   |
|  |  | DRAFT WHERE APPLICABLE MUST REMAIN WITHIN DIMENSIONS                                 | CAD FILENAME<br>615XX-C                   | MATERIAL NO.<br>SEE CHART       | DRAWING NO.<br>SD-38610-002  | SHEET NO.<br>1 OF 1    |   |

THIS DRAWING CONTAINS INFORMATION THAT IS PROPRIETARY TO MOLEX INCORPORATED AND SHOULD NOT BE USED WITHOUT WRITTEN PERMISSION.