

NOTES: UNLESS OTHERWISE SPECIFIED.

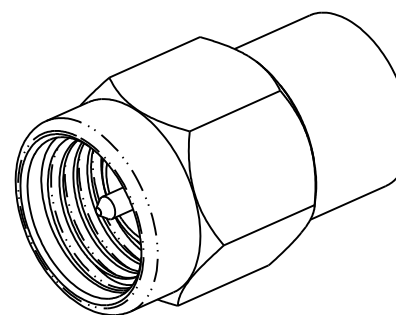
1. MATERIAL & FINISH:

- 1.1 BODY, COUPLING NUT & END PLUG: PASSIVATED STAINLESS STEEL
- 1.2 DIELECTRIC: PTFE (TEFLON)
- 1.3 CENTER CONTACT: GOLD PLATED BERYLLIUM COPPER
- 1.4 GASKET: SILICONE RUBBER

2. ELECTRICAL SPECIFICATIONS:

- 2.1 FREQUENCY RANGE: DC TO 26.5 GHz
- 2.2 INPUT POWER (MAX):
2 WATTS AT 25°C
1 WATT AT 125°C
- 2.3 VSWR (MAX):
DC TO 4 GHz: 1.05:1
4 TO 12 GHz: 1.10:1
12 TO 18 GHz: 1.14:1
18.0 TO 26.5 GHz: 1.30:1
- 2.4 IMPEDANCE: 50 OHMS NOMINAL
- 2.5 TEMPERATURE RANGE: -65°C TO 125°C

3. WEIGHT (MAX): .12 OZ (3.4 GRAMS)



		MIDWEST MICROWAVE	
	NOTICE: The information in this drawing is PROPRIETARY and must not be used without the permission of Cinch Connectivity Solutions. It may contain data whose export is restricted. Verify status prior to exporting. INTERPRET DRAWING IN ACCORDANCE WITH ASME Y14.5-2018	RoHS2 <input checked="" type="checkbox"/> 2011/65/EU	Title: TERMINATION
UNLESS OTHERWISE SPECIFIED UNITS: INCH		Model No. TRM-2089-M0-SMA-02	Date: 9/9/2021
.XX ±.02 .XXX ±.010 ANGLES ±2°	Size A	DO NOT SCALE DRAWING	Sheet 1 OF 1