

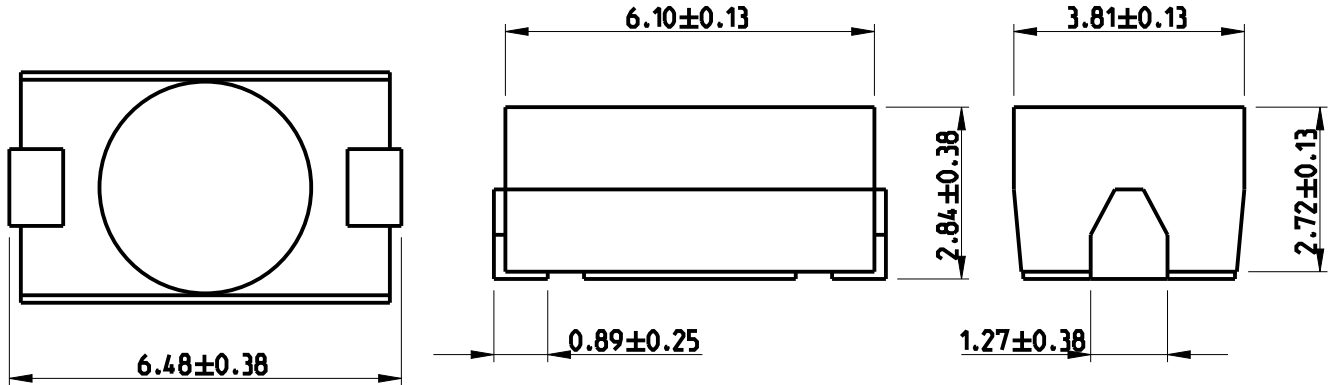
REVISIONS

P	LTR	DESCRIPTION	DATE	DWN	APVD
	BA	NEW RELEASE	10 JULY 2010	PT	SI.P
	BA1	ECR-13-018622	28 NOV 2013	KR	TN
	BB	ECR-14-002163	07 FEB 2014	KR	TN

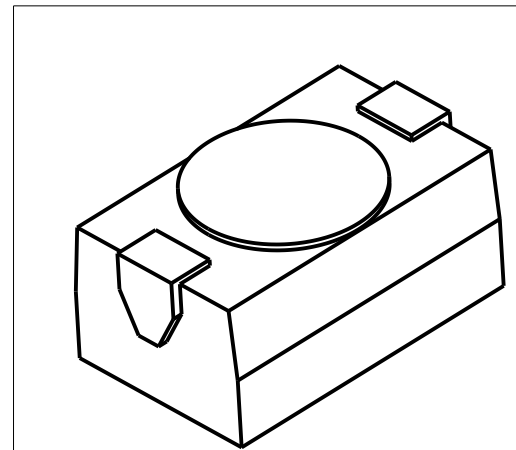
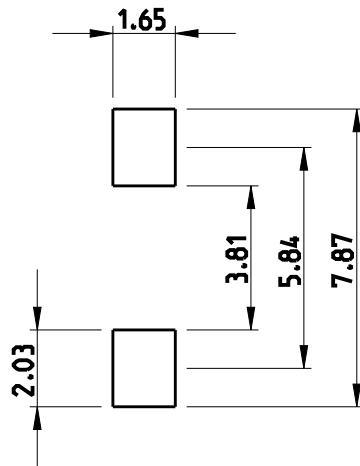
FOR FURTHER INFORMATION SEE DATA SHEET FOR SERIES S - SMD MOULDED POWER RESISTOR

NOTE:

1. Terminal Finish - Hot Dipped Sn. Min 5µM



RECOMMENDED LAND PATTERN



2008


RELEASED FOR PUBLICATION

ALL RIGHTS RESERVED.

THIS DRAWING IS UNPUBLISHED.

BY -

© COPYRIGHT 2008

DIMENSIONS: mm	DWN PARUSURAM.T	10 JULY 2010	MATERIAL	-	FINISH	-
	CHK ALLAN.P	10 JULY 2010	 TE Connectivity			
TOLERANCES UNLESS OTHERWISE SPECIFIED:	APVD STEPHEN.P	10 JULY 2010				
0 PLC ± 0.2	PRODUCT SPEC	-	NAME SMD MOULDED POWER RESISTOR SERIES SP1			
1 PLC ± 0.1	APPLICATION SPEC	-	SIZE	CAGE CODE	DRAWING NO	RESTRICTED TO
2 PLC \pm			A 4	00779	C-1624273	-
3 PLC \pm			Customer Drawing			
4 PLC \pm	WEIGHT	-	SCALE	8:1	SHEET	1 OF 1
ANGLES 35°			REV	BB		