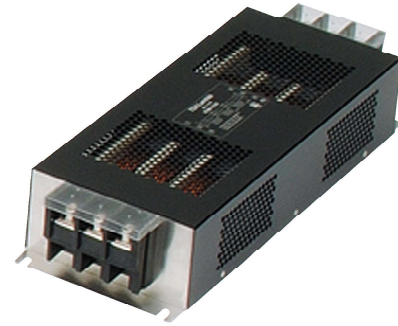


6A to 300A, 500VAC EMI Filters

Features

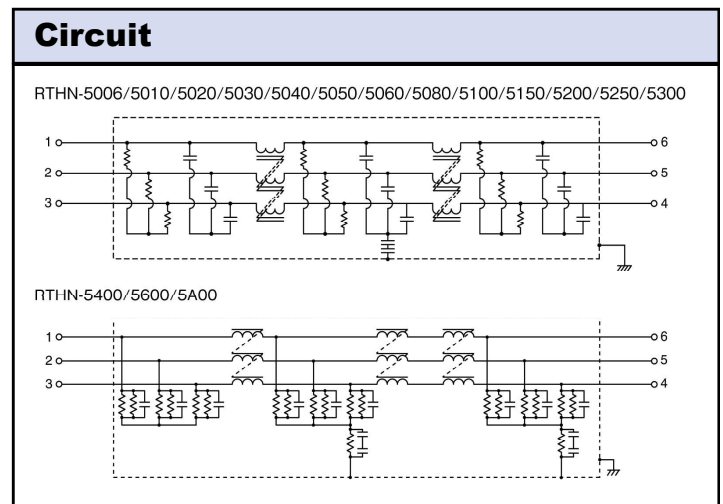
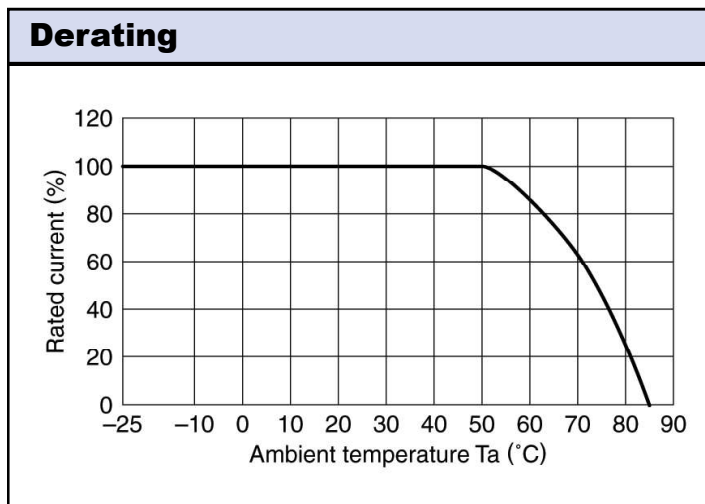
- ◆ Two Stage Filter for Better Performance
- ◆ Low Profile
- ◆ Conforms to UL and EN Safety Agency Certifications



Key Market Segments & Applications

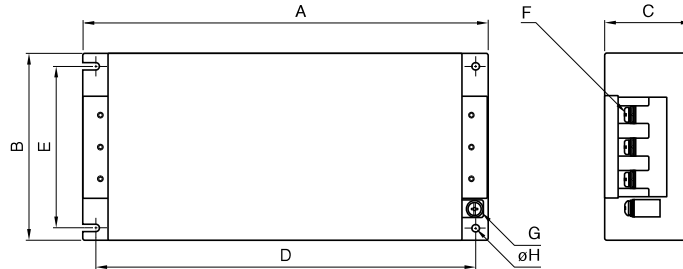


Specifications						
Model		RTHN-5006	RTHN-5010	RTHN-5020	RTHN-5030	RTHN-5040
Rated Voltage (AC, DC)	V	500V Three phase				
Rated Current	A	6A	10A	20A	30A	40A
DC Resistance (total)	mΩ	290	120	50	25	20
Model		RTHN-5050	RTHN-5060	RTHN-5080	RTHN-5100	RTHN-5150
Rated Voltage (AC, DC)	V	500V Three phase				
Rated Current	A	50A	60A	80A	100A	150A
DC Resistance (total)	mΩ	14	10	10	8	6
Model		RTHN-5200		RTHN-5250		RTHN-5300
Rated Voltage (AC, DC)	V	500V Three phase				
Rated Current	A	200A		250A		300A
DC Resistance (total)	mΩ	4		3		2
Withstand Voltage	V	Terminals to Case: 2500VAC (1 Minute)				
Isolation Resistance	MΩ	100MΩ minimum (500VDC, 1 Minute)				
Leakage Current (max)	mA	6A to 300A Models: 2.5mA at 250VAC 60Hz, 5mA at 500VAC 60Hz 400A to 1000A Models: 17.5mA at 250VAC 60Hz, 35mA at 500VAC 60Hz				
Operating Temperature	°C	-25 to +85°C (Derate above 50°C, see derating curve)				
Storage Temperature	°C	-25 to +85°C				
Safety Agency Certifications	-	UL1283 (Up to 150A) & EN60939 (Up to 300A)				
Weight	g	700g to 18000g model dependant (See weights chart on website)				
Warranty	yr	5 Year				

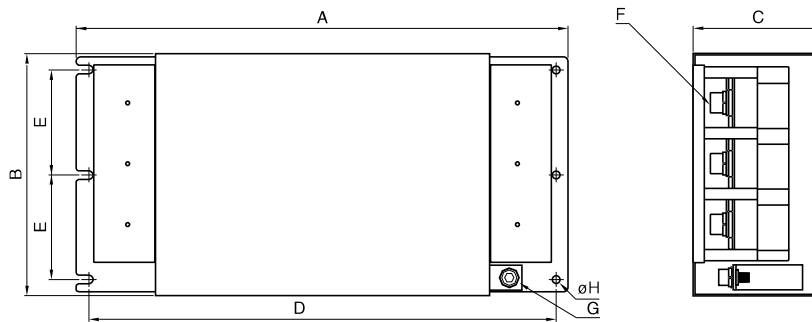


Outline Drawing

RTHN-5006/5010/5020/5030/5040/5050/5060/5080/5100/5150



RTHN-5200/5250/5300



Dimensions in mm

Part No.	A	B	C	D	E	F	G	φ H	Recommended clamping torque
RTHN-5006	210	95	50	195	78	M4	M4	4.5	M4 : 1.27N · m M5 : 2.5N · m M6 : 4.8N · m M8 : 7.64N · m M10 : 11.8N · m
RTHN-5010									
RTHN-5020	240	105	55	225	85	M4	M4		
RTHN-5030									
RTHN-5040	300	128	68	280	102	M5	M4	5.5	
RTHN-5050									
RTHN-5060									
RTHN-5080	430	161	85	410	135	M8	M6	6.5	
RTHN-5100									
RTHN-5150	473	190	88	453	164	M8	M6	6.5	
RTHN-5200	593	195	103	573	84.5	M10	M8		
RTHN-5250									
RTHN-5300									

For Additional Information, please visit us.tdk-lambda.com/lp/products/r-series.htm

