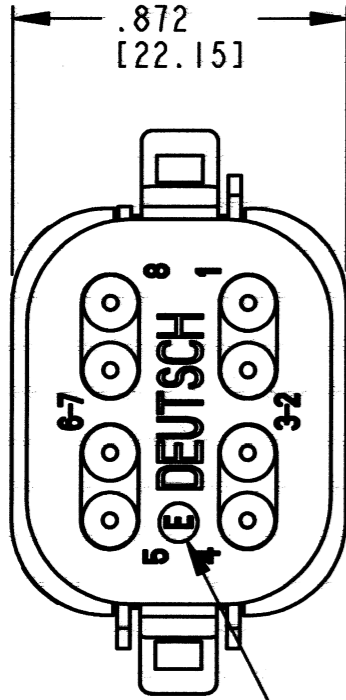


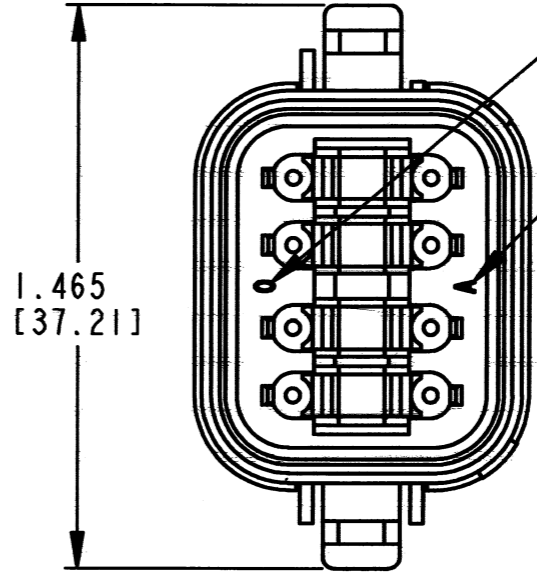
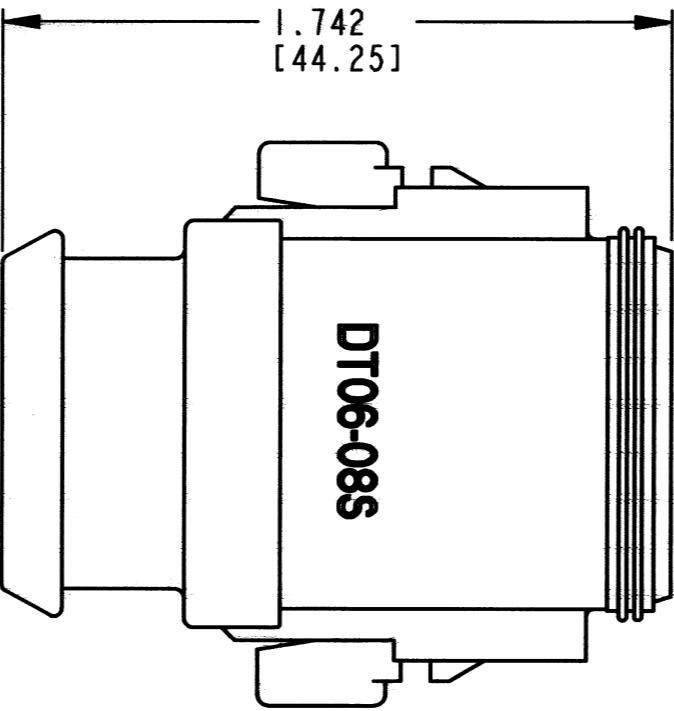
REV
NC DT06-08S*CE13

REVISIONS			
SYM	DESCRIPTION	DATE	APPROVED
NC	NEW RELEASE PER E.O. P21047	8-1-11	RDR

DATE CODE: YEAR TO BE REPRESENTED BY LAST NUMERICAL DIGIT. EX: 0 = 2010
MONTH USES SEQUENTIAL ALPHA CHARACTERS. EX: A = JANUARY



--E- SYMBOL DESIGNATES REDUCED WIRE SEAL



- 5. MATERIAL: SHELL: PLASTIC; SEAL: RUBBER
- 4. THIS PLUG MATES WITH DT04-08P*-**** RECEPTACLE. (* = A,B,C,D, KEY ARRANGEMENT; **** = ALL MODIFICATIONS).
- 3. FOR WIRE AND CONTACT SPECIFICATION AND APPLICATION SEE ENVELOPE DRAWING 0425-015-0000 AND 0425-017-0000.
- 2. ALL DIMENSIONS ARE ±.025 [0.64] UNLESS OTHERWISE SPECIFIED.
- 1. ALL DIMENSIONS ARE IN INCHES [MILLIMETERS].

NOTES:

CONTACT SIZE	MIN. INSUL. O.D.	MAX. INSUL. O.D.	WIRE RANGE [mm ²] REF. ONLY
16	.053 [1.35]	.120 [3.05]	14-20 AWG [2.0-0.5]

SIGNATURE & DATE	
DR	R. MESSENGER 7/21/11
CHK	[Signature] 7/29/11
PE	[Signature] 7/29/11
APPD	[Signature] 7/29/11
SCALE	NONE WT

8 WAY PLUG
E SEAL, SHRINK BOOT
SEAL RETENTION
DT SERIES

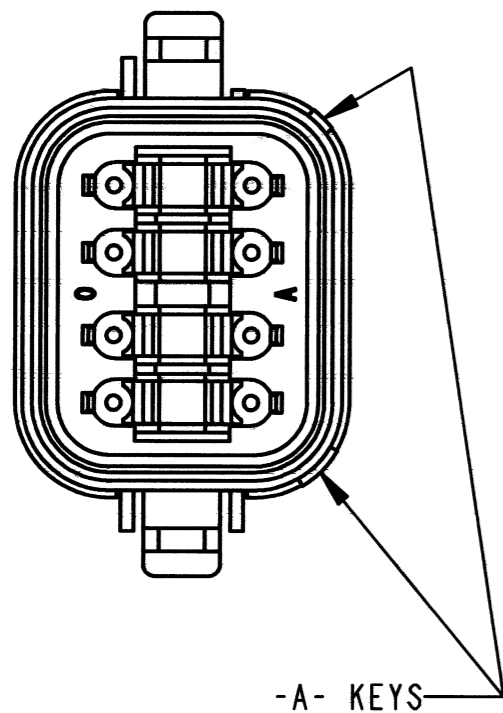
ENVELOPE

EP	MATL. CODE
3850 INDUSTRIAL AVE. HEMET, CA 92545	
B	DT06-08S*CE13
DWG SIZE	CODE 11139 SHEET 1 OF 2

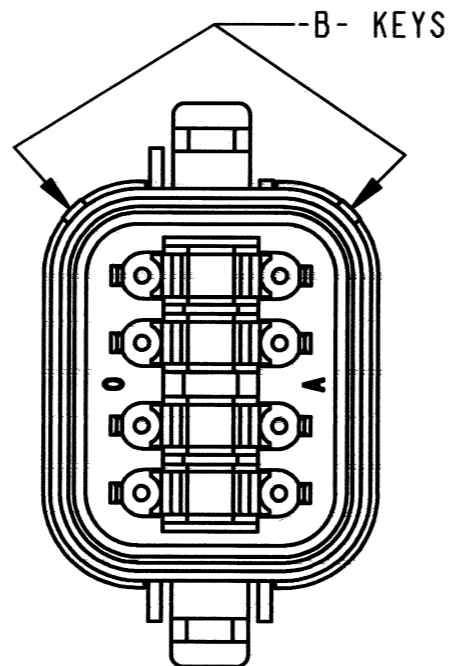
REV
NC DT06-08S*-CE13

REVISIONS			
SYM	DESCRIPTION	DATE	APPROVED
NC	SEE SHEET 1	8-1-11	RDR

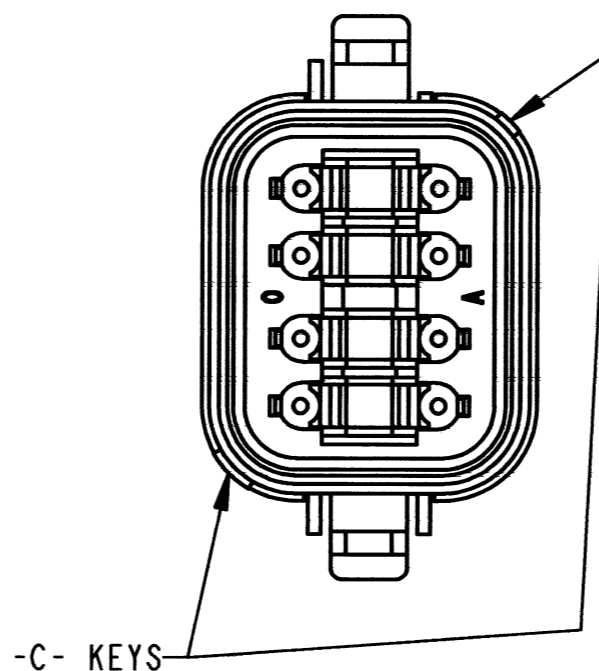
DT06-08SA-CE13
-A- KEY
COLOR: GRAY



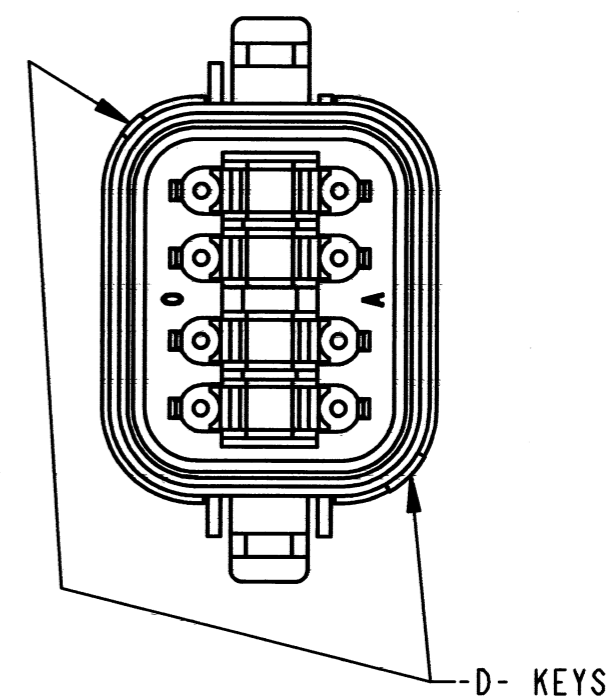
DT06-08SB-CE13
-B- KEY
COLOR: BLACK



DT06-08SC-CE13
-C- KEY
COLOR: GREEN



DT06-08SD-CE13
-D- KEY
COLOR: BROWN



NOTES:

SIGNATURE & DATE	
DR	R. MESSENGER 7/21/11
CHK	<i>[Signature]</i> 7/29/2011
PE	R. messenger 7/25/11
APPD	<i>[Signature]</i> 7/28/11
SCALE	NONE WT

8 WAY PLUG
E SEAL, SHRINK BOOT
SEAL RETENTION
DT SERIES

ENVELOPE

EP	MATL. CODE
3850 INDUSTRIAL AVE. HEMET, CA 92545	
DEUTSCH INDUSTRIAL	
B	DT06-08S*-CE13
DWG SIZE	CODE 11139 SHEET 2 OF 2

