

# C1608C0G2A332J080AA

TDK Item Description : C1608C0G2A332JT\*\*\*\*

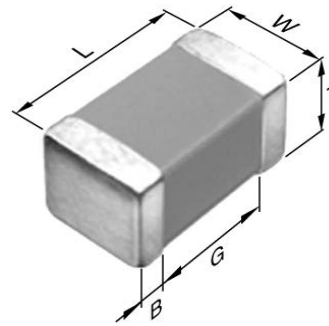


## Application & Main Feature

Commercial Grade ( Mid Voltage (100 to 630V) )

## Series

C1608 [EIA 0603]



## Dimensions

L	1.60mm +0.15,-0.1mm
W	0.80mm +0.15,-0.1mm
T	0.80mm +0.15,-0.1mm
B	0.20mm Min.
G	0.30mm Min.

## Temperature Characteristic

C0G (-55 to 125 degC 0+/-30ppm/degC)

## Rated Voltage

2A(100Vdc)

## Capacitance

3.3nF

## Capacitance Tolerance

J (±5%)

## Q Factor

1000 Min.

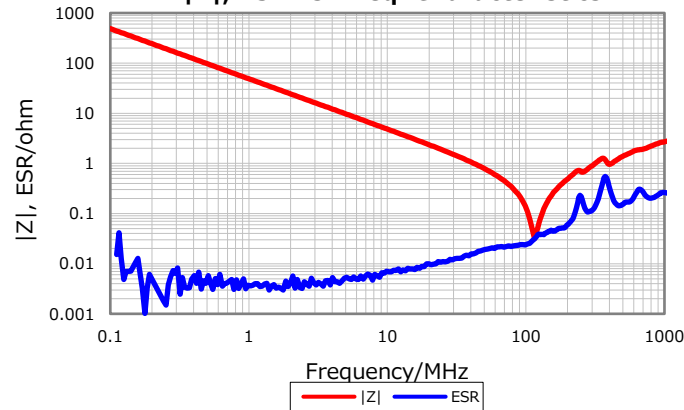
## Insulation Resistance

10Gohm Min

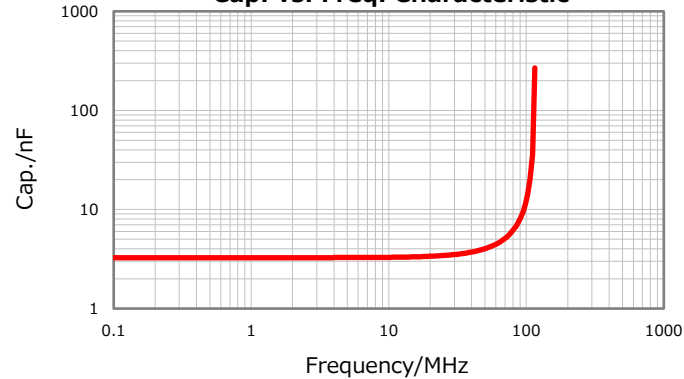
## AEC-Q200

Not Applicable

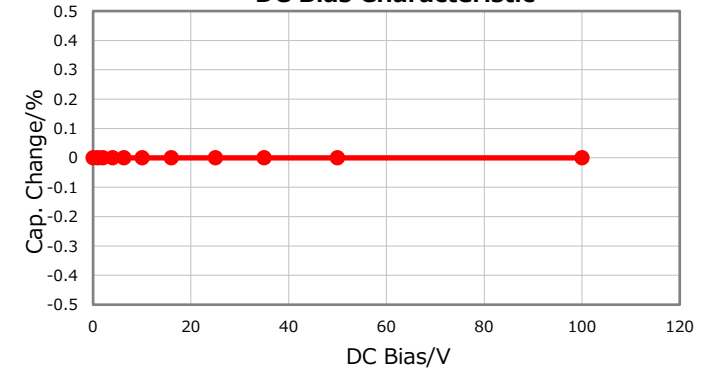
## |Z|, ESR vs. Freq. Characteristics



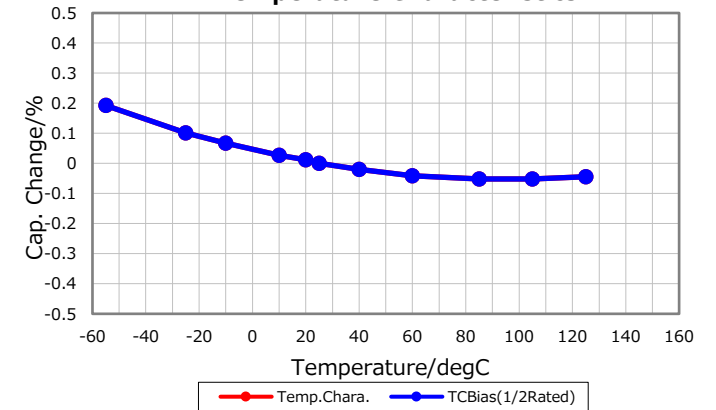
## Cap. vs. Freq. Characteristic



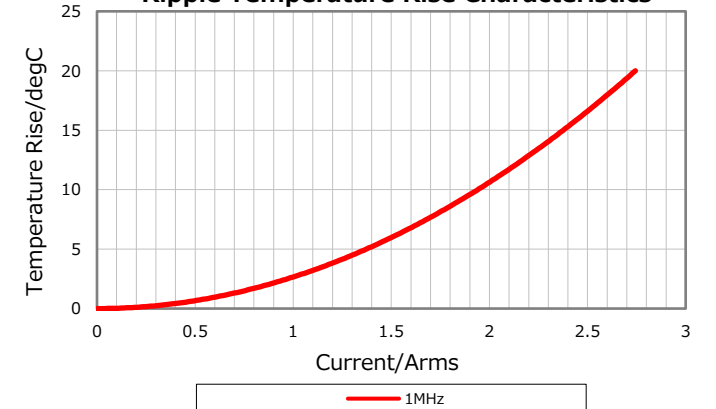
## DC Bias Characteristic



## Temperature Characteristics



## Ripple Temperature Rise Characteristics



Characterization Sheet ( Multilayer Ceramic Chip Capacitors )



All specifications are subject to change without notice.

July 2, 2019