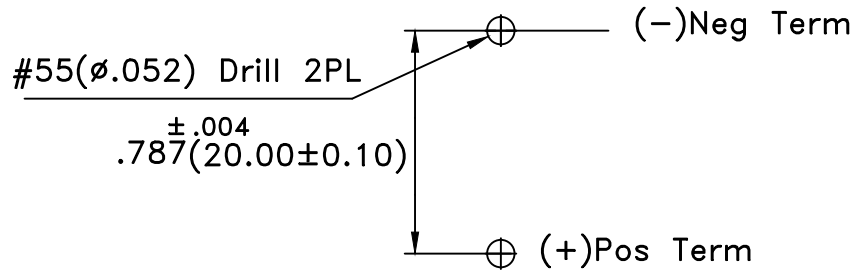
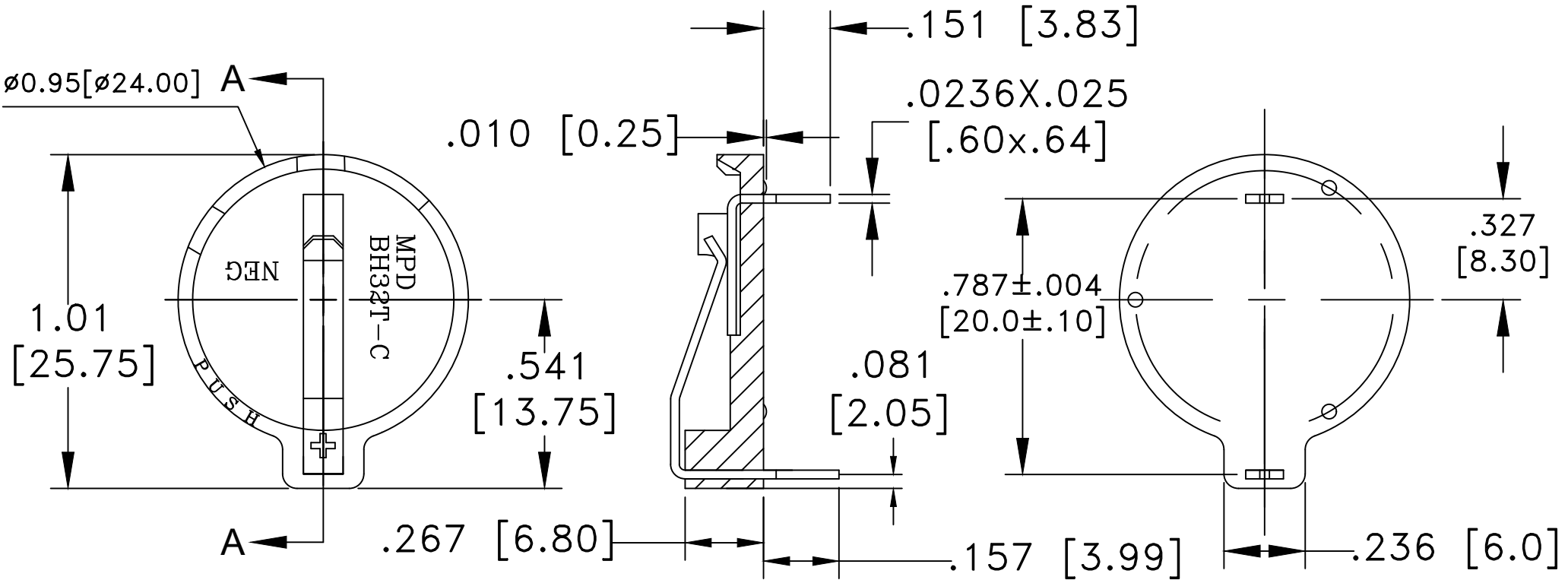


PCB LAYOUT




Date	SYM	REVISION RECORD	AUTH	DR.	CK.
1/13/07	E	ADDED DIM. 0.787, 0.327, 0.236 & 0.541	T.B.	B.S.	
11/21/14	F	UPDATED TO ROHS 2 COMPLIANT	T.B.	B.S.	
10/17/19	G	ADDED WEIGHT OF THE PART	T.B.	B.S.	



Weight: 2.30 g.

SPECIFICATIONS

- *Holder material- Black PBT
- *Flammability rating-UL94V-0, UL file no. E53829
- *Contacts :
 Positive: 0.0236" Thick PHOS-BRONZE, Nickel Plated
 Negative: spring tempered Stainless Steel, Nickel Plated
- *Temperature Range: -40°C to +140°C
- ROHS COMPLIANT

Tolerance (Except as noted)	 Memory protection Devices, Inc 200 Broad Hollow Road, Farmingdale, New York 11735		
decimal $\pm .5 (.020)$	Scale	Drawn By B.S.	
Fractional $\pm .8 (.030)$	Approved By T.B.		
Angular $\pm 3^\circ$	Title	CR2032 OR BR2032 BATTERY	
	Date	Drawing Number	
	10/07/19	BH32T-C	