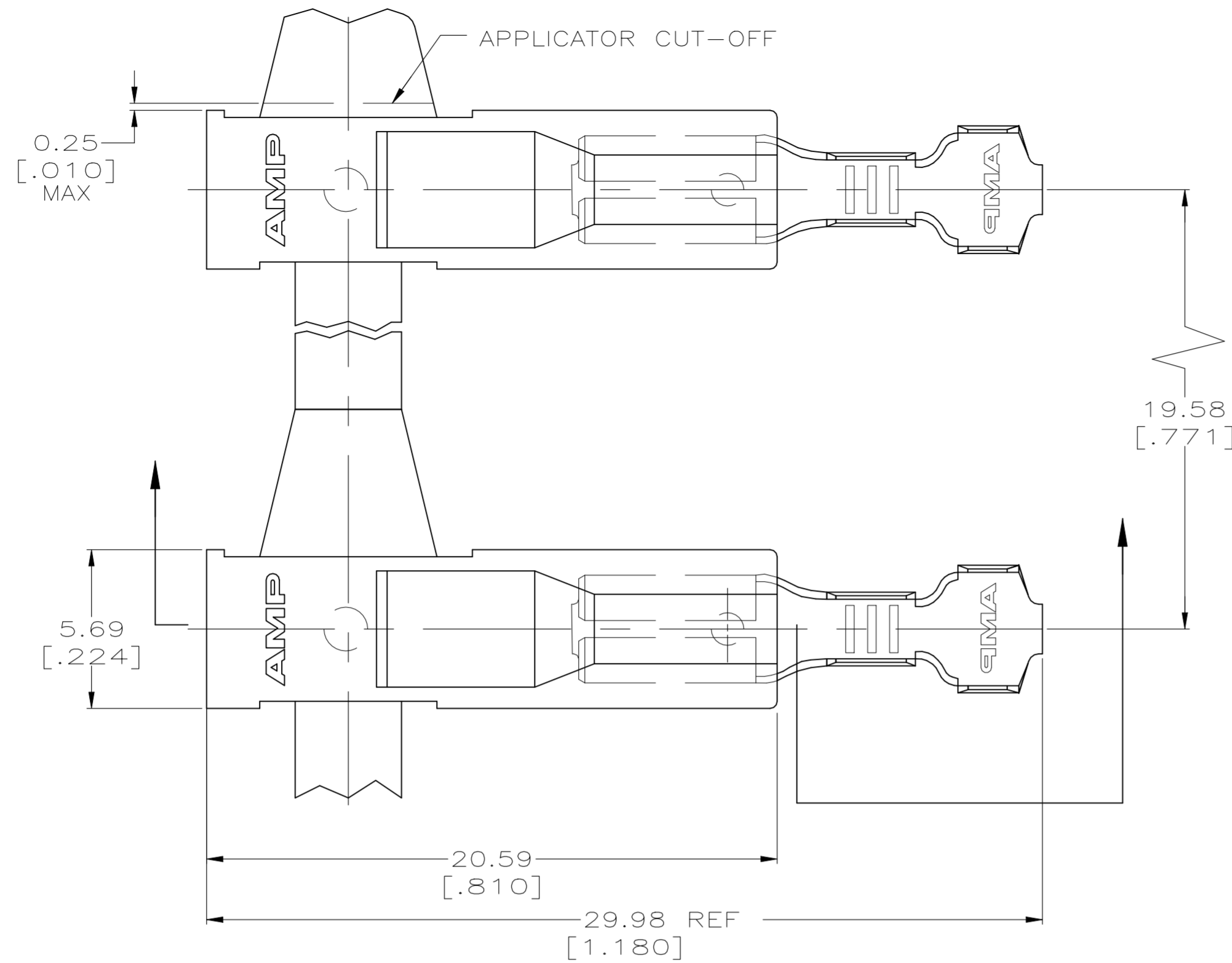
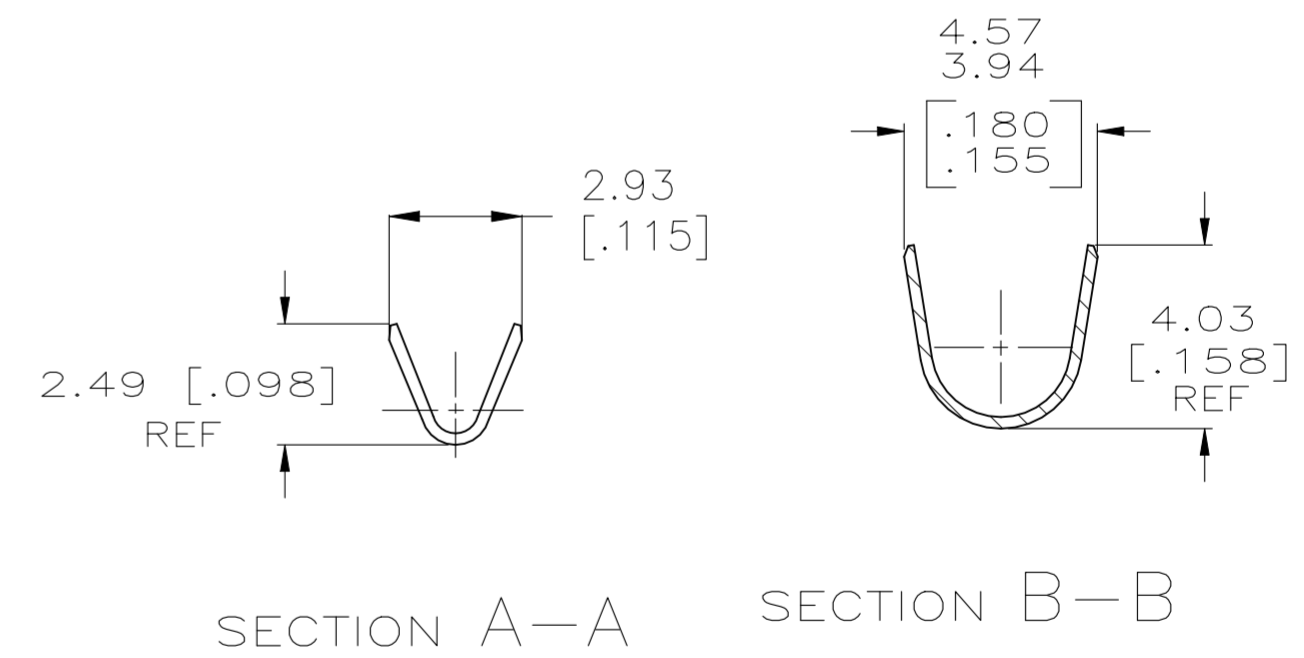
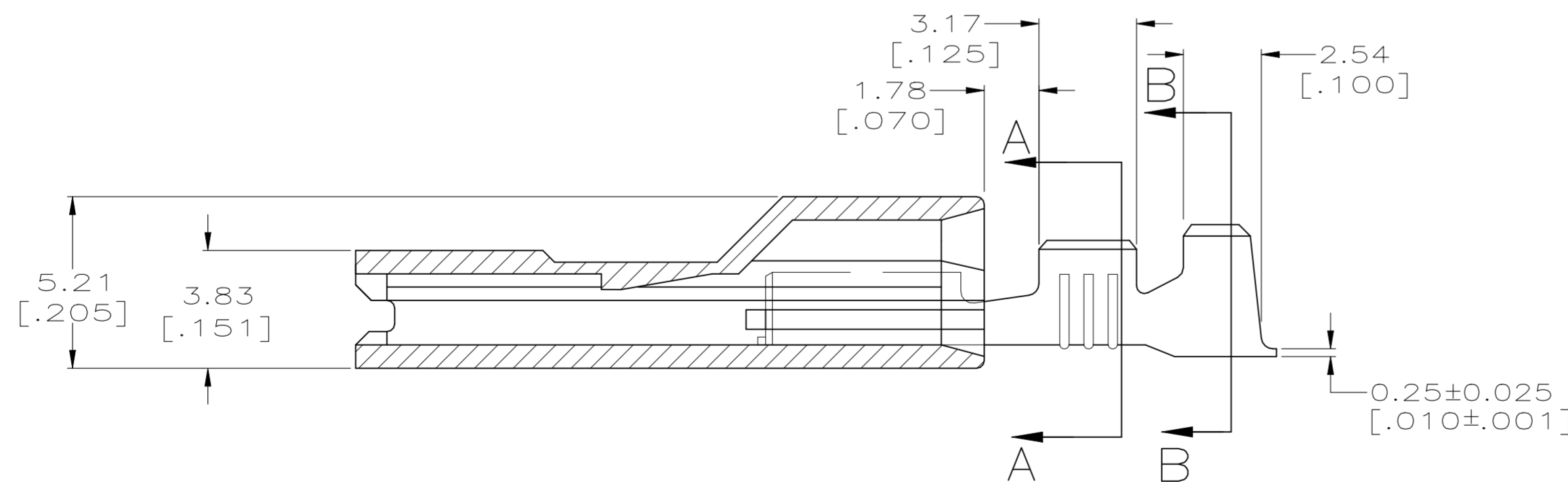


REVISIONS					
P	LTR	DESCRIPTION	DATE	DWN	APVD
G2		REVISED PER ECR-22-160893	15DEC2022	DB	BW



- 1 MATING TAB THK IS 0.81 ± 0.025 [.032 ± .001]
- 2 WIRE SIZE IS [#22-#18] AWG.
- 3 INSULATION RANGE IS 2.03-3.05 [.080-.120] DIA.
- △ PREPRODUCTION - FASR REQ



OBSOLETE	TIN PLATE	521436-2
	TERMINAL FINISH	△ 521436-1
		PART NO.

THIS DRAWING IS A CONTROLLED DOCUMENT.		DWN	JR RUTH	22OCT01	 TE Connectivity							
DIMENSIONS:		CHK	J HUMMEL	22OCT01								
mm [INCHES]		APVD	J HUMMEL	22OCT01								
TOLERANCES UNLESS OTHERWISE SPECIFIED:		PRODUCT SPEC	108-1285									
0 PLC	± -	APPLICATION SPEC	114-2124		SIZE	A2	CAGE CODE	00779	DRAWING NO	C=521436	RESTRICTED TO	-
1 PLC	± -				WEIGHT	0.000000	SCALE	6:1	SHEET	1 OF 1	REV	G2
2 PLC	± 0.25 [.010]				CUSTOMER DRAWING							
3 PLC	± -											
4 PLC	± -											
ANGLES	± -											
MATERIAL	TERMINAL - BRASS HSG - 6/6 NYLON, V2	FINISH	TERMINAL - SEE TABLE HOUSING - NATURAL									