

4

3

2

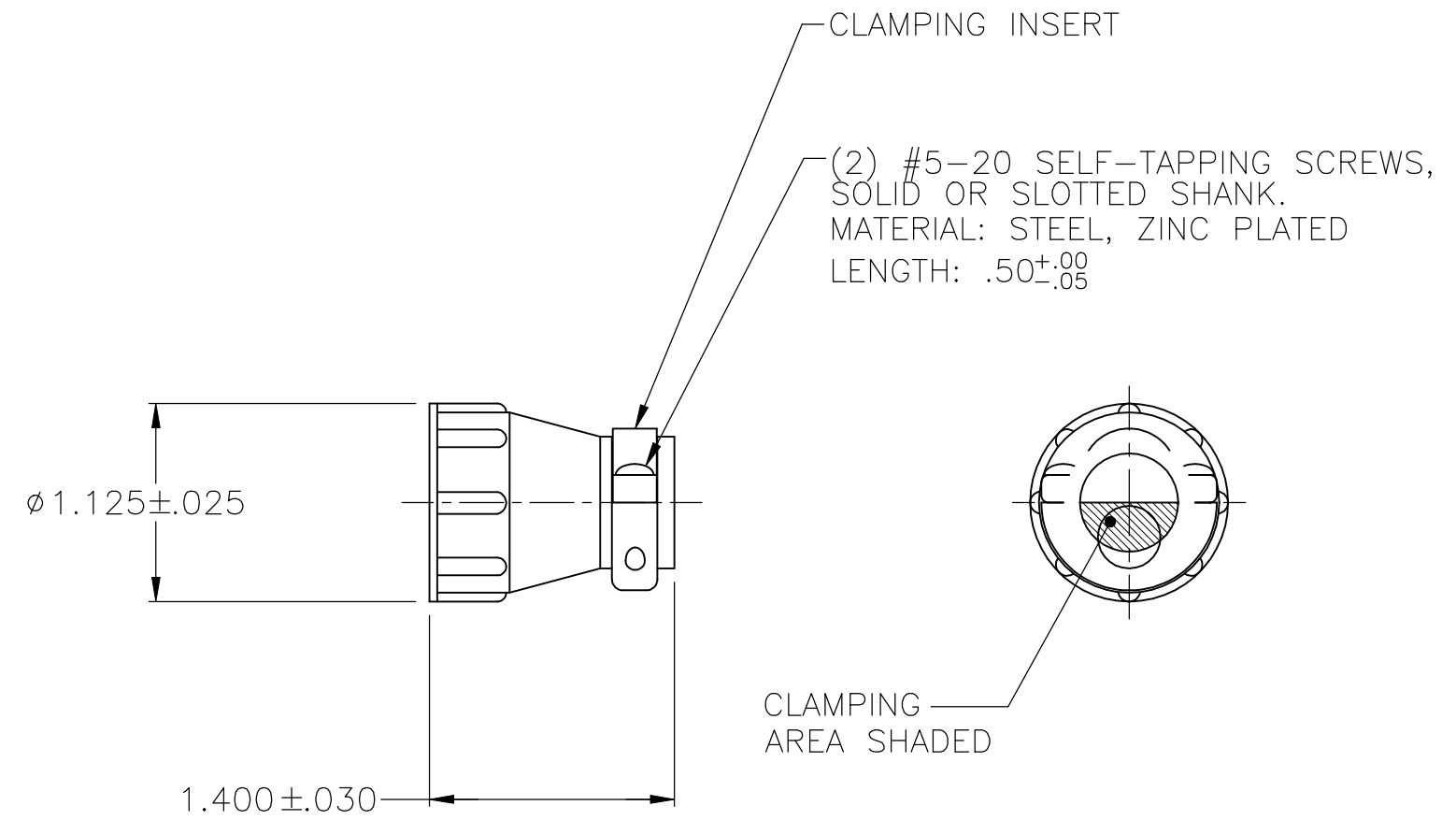
1

THIS DRAWING IS UNPUBLISHED. RELEASED FOR PUBLICATION - , - .

© COPYRIGHT - By - ALL RIGHTS RESERVED.

REVISIONS				
P	LTR	DESCRIPTION	DATE	APVD
	1	NEW DRAWING	24JAN2017	BDA MZ
	A	REVISED PER ECO-19-003208	05MAR2019	RS MZ

- 1 PART PACKAGED UNASSEMBLED.
- 2 CABLE CLAMPING AREA ADJUSTABLE FROM .010 TO .161 SQ IN BY REVERSING CLAMPING INSERTS. (2 INSERTS SUPPLIED)
- 3 .453 MAXIMUM CABLE OUTSIDE DIAMETER.
- 4 HOUSINGS MADE FROM MATERIAL RATED F1 FOR OUTDOOR SUITABILITY PER UL 746C.



INDIVIDUAL	2267394-1
PACKAGING	PART NUMBER

THIS DRAWING IS A CONTROLLED DOCUMENT.		DWN	24JAN2017	STE TE Connectivity
		CHK	24JAN2017	
		APVD	24JAN2017	
		PRODUCT SPEC		
DIMENSIONS: INCHES		TOLERANCES UNLESS OTHERWISE SPECIFIED:		NAME CPC SHELL SIZE 17 STANDARD CABLE CLAMP KIT, UV RESISTANT
		0 PLC	± -	
		1 PLC	± -	
MATERIAL THERMOPLASTIC		2 PLC	± -	DRAWING NO 2267394
		3 PLC	± -	
		4 PLC	± -	
		ANGLES	± -	
		FINISH	-	RESTRICTED TO
		CUSTOMER DRAWING		SCALE NTS
				SHEET 1 OF 1
				REV A