

Type of Screw and Gasket  
see sheet 2, PN KEY

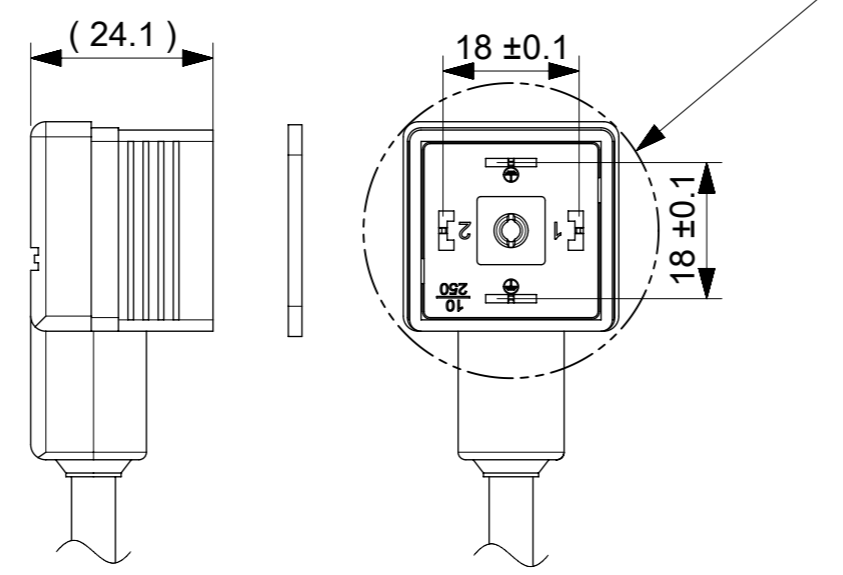
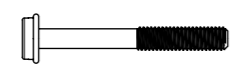


TABLE OF LENGTH TOLERANCES [mm]		
Over	Up to and Including	TOLERANCE
0	1000	±20
1000	3000	±30
3000	5000	±40
5000	10000	±50
10000	15000	±100
15000	20000	±150
20000		±L/100

INSERT ORIENTATION	
Housing 2 Poles + 2 Earths	Housing 3 Poles + 1 Earth
Earth H6/H12 E152XXXXXX1X	Earth H12 E152XXXXXX2X PIN 3 Not Used
Earth H3/H9 E152XXXXXX4X	Earth H3 E152XXXXXX3X PIN 3 Not Used
	Earth H6 E152XXXXXX6X PIN 3 Not Used
	Earth H9 E152XXXXXX9X PIN 3 Not Used

WIRING CONFIGURATION	
Housing 2 Poles + 2 Earths	Housing 3 Poles + 1 Earth
Brown(or Black 1) ○ ———— < 1	Brown(or Black 1) ○ ———— < 1
Blue(or Black 2) ○ ———— < 2	Blue(or Black 2) ○ ———— < 2
Green/Yellow ○ ———— < ⊕	Green/Yellow ○ ———— < ⊕
(or Black 3) ○ ———— < ⊕	(or Black 3) Not Used ○ ———— < 3

Type of Screws and Gaskets

Profiled Gasket	Flat Gasket	Integrated Gasket	Screw M3x25
<p>(□ 29.5)</p> <p>(5.2)</p> <p>(1.8)</p>	<p>(□ 28)</p> <p>(1.8)</p>	<p>(□ 28)</p> <p>(1.8)</p> <p>(9.3)</p>	<p>(25)</p> <p>M 3</p>
			Screw M3x27 + Washer <p>(27)</p> <p>M 3</p> <p>NBR Washer</p>

THIS DRAWING CONTAINS INFORMATION THAT IS PROPRIETARY TO MOLEX ELECTRONIC TECHNOLOGIES, LLC AND SHOULD NOT BE USED WITHOUT WRITTEN PERMISSION

QUALITY SYMBOLS	EC NO: 113606	DRWN: APAWLAK01	CHK'D: MIWASIECZKO	APPR: MIWASIECZKO	DATE: 2017/02/20	DATE: 2017/02/20	GENERAL TOLERANCES (UNLESS SPECIFIED)	DIMENSION UNITS: MM	SCALE: 1:1	<p>STANDARD E152 DIN FORM A EN 175301-803</p>			
▽ = 0							ANGULAR TOL ± °	DRWN BY: APAWLAK01	DATE: 2017/02/07				
▽ = 0							4 PLACES ±	CHK'D BY:	DATE:				
▽ = 0							3 PLACES ±	APPR BY: MIWASIECZKO	DATE: 2017/02/20				
▽ = 0							2 PLACES ±	DRAWING SIZE: A3	THIRD ANGLE PROJECTION	PRODUCT CUSTOMER DRAWING			
▽ = 0							1 PLACE ±			SERIES: 121040	MATERIAL NUMBER: SEE 1210400050 PDP	CUSTOMER: GENERAL MARKET	
▽ = 0							0 PLACES ±			DOCUMENT NUMBER: 1210400050	DOC TYPE: PSD	DOC PART: 000	SHEET NUMBER: 1 OF 2
▽ = 0							DRAFT WHERE APPLICABLE MUST REMAIN WITHIN DIMENSIONS						

PN KEY - NUMERICAL CODE (Available parts see PART LIST table. Others parts available upon request).

**E 1 5 2 X X X X X X X X**

E - Packing without bags  
W - Single Packing

Number of wires:  
2 - 2 Wires + Earth

Cable type:  
See Table

Head Colour:  
G - Grey  
N - Black  
A - CSA-UL Black  
B - CSA-UL Grey

Cable Length in [cm]  
Examples:  
050 = 50cm  
300 = 300cm  
10K = 1000cm

Type of Gasket and Screw (see sheet 1):  
1 = NBR Profile Gasket + Fixing Screw M3x25mm  
2 = NBR Flat Gasket + Fixing Screw M3x25mm  
3 = Silicone Profile Gasket + Fixing Screw M3x25mm  
4 = Silicone Flat Gasket + Fixing Screw M3x25mm  
P = NBR Integrated Gasket + Fixing Screw with Washer M3x27mm Assembled on Connector  
R = NBR Integrated Gasket + Fixing Screw with Washer M3x27mm NOT Assembled on Connector  
T = NBR Profile Gasket + Fixing Screw with Washer M3x27mm

Earth PIN location (see insert orientation table):  
1 = Double Earth on H6 & H12  
2 = Earth on H12  
3 = Earth on H3  
4 = Double Earth on H3 & H9  
6 = Earth on H6  
9 = Earth on H9

CABLE TYPE	NO. OF WIRES	CROSS SECTION	CABLE O.D.	CABLE JACKET	UL	CSA	STATIC: TEMP. / BENDING RADIUS	DYNAMIC: TEMP. / BENDING RADIUS	SHIELD
A2	3	AWG 20	5.6mm±0.2	PVC BLACK	UL 2661	CSA C22.2	-30°C to +105°C, 10xO.D.	-5°C to +105°C, 15xO.D.	-
A3	3	AWG 18	6.5mm±0.25	PVC BLACK	UL 2661	CSA C22.2	-30°C to +105°C, 10xO.D.	-5°C to +105°C, 15xO.D.	-
B2	3	AWG 20	5.6mm±0.2	PUR BLACK	UL 20668	CSA C22.2	-40°C to +90°C, 5xO.D.	-25°C to +90°C, 10xO.D.	-
B3	3	AWG 18	6.5mm±0.2	PUR BLACK	UL 20668	CSA C22.2	-40°C to +90°C, 5xO.D.	-25°C to +90°C, 10xO.D.	-
I0	3	1mm <sup>2</sup>	7.6mm±0.2	PVC GREY	-	-	-25°C to +70°C, 10xO.D.	-5°C to +70°C, 15xO.D.	YES
I2	3	0.5mm <sup>2</sup>	5.5mm+0.3	PVC GREY	-	-	-25°C to +70°C, 10xO.D.	-5°C to +70°C, 15xO.D.	-
I4	3	1mm <sup>2</sup>	7.1mm+0.2	PVC GREY	-	-	-25°C to +70°C, 10xO.D.	-5°C to +70°C, 15xO.D.	-
N2	3	0.5mm <sup>2</sup>	5.6mm±0.7	PVC BLACK	-	-	-20°C to +70°C, 3xO.D.	-15°C to +70°C, 5xO.D.	-
N3	3	0.75mm <sup>2</sup>	6.8mm±0.8	PVC BLACK	-	-	-20°C to +70°C, 3xO.D.	-15°C to +70°C, 5xO.D.	-
N4	3	1mm <sup>2</sup>	7.15mm±0.85	PVC BLACK	-	-	-20°C to +70°C, 3xO.D.	-15°C to +70°C, 5xO.D.	-
N5	3	1.5mm <sup>2</sup>	8.4mm±1	PVC BLACK	-	-	-20°C to +70°C, 3xO.D.	-15°C to +70°C, 5xO.D.	-
P2	3	0.5mm <sup>2</sup>	5.5mm+0.3	PUR BLACK	-	-	-40°C to +90°C, 7.5xO.D.	-15°C to +90°C, 12.5xO.D.	-
P3	3	0.75mm <sup>2</sup>	6.5mm±0.2	PUR BLACK	-	-	-40°C to +90°C, 7.5xO.D.	-15°C to +90°C, 12.5xO.D.	-
R4	3	1mm <sup>2</sup>	7.1mm±0.2	TPR HF BLACK	-	-	-	-	-
Y3	3	0.75mm <sup>2</sup>	6.5mm±0.2	SILICONE RED	-	-	-60°C to +180°C, 15xO.D.	-	-

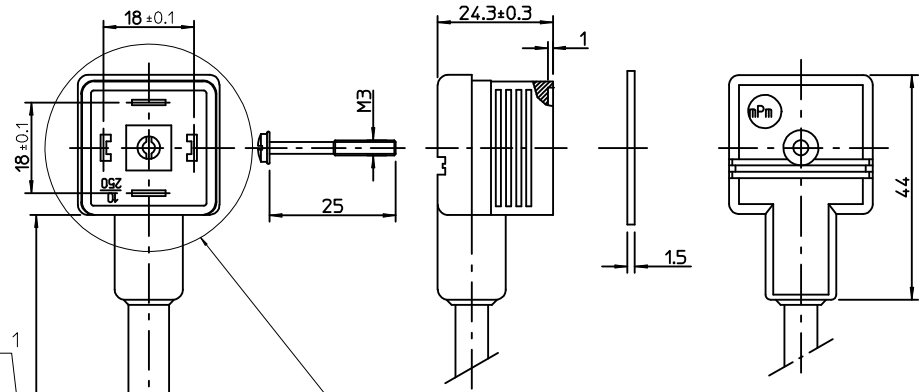
Notes:

1. Please see excel sheet 1210400050\_PDP for currently configured part numbers.

RELEASE STATUS | P1 | RELEASE DATE | 20.02.2017 | 15:27:27

<b>QUALITY SYMBOLS</b> 	THIS DRAWING CONTAINS INFORMATION THAT IS PROPRIETARY TO MOLEX ELECTRONIC TECHNOLOGIES, LLC AND SHOULD NOT BE USED WITHOUT WRITTEN PERMISSION										
	EC NO: 113606 DRWN: APAWLAK01 CHK'D: APPR: MIWASIECZKO	2017/02/07 2017/02/20	GENERAL TOLERANCES (UNLESS SPECIFIED)		DIMENSION UNITS	SCALE					
			ANGULAR TOL ± °		MM	1:1					
			4 PLACES ±	APAWLAK01		DATE					2017/02/07
			3 PLACES ±	CHK'D BY		DATE					
			2 PLACES ±	APPR BY		DATE					
	1 PLACE ±	MIWASIECZKO		DATE	2017/02/20	PRODUCT CUSTOMER DRAWING					
	0 PLACES ±	DRAFT WHERE APPLICABLE MUST REMAIN WITHIN DIMENSIONS		DRAWING SIZE	THIRD ANGLE PROJECTION	SERIES	MATERIAL NUMBER	CUSTOMER			
	A	REV	A3		121040	SEE 1210400050 PDP	GENERAL MARKET				
					DOCUMENT NUMBER	DOC TYPE	DOC PART	SHEET NUMBER			
				1210400050	PSD	000	2 OF 2				

10 9 8 7 6 5 4 3 2 1



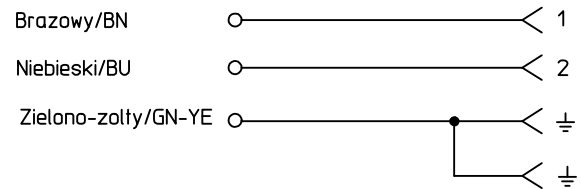
PATRZ UWAGA 1  
SEE NOTE 1

Patrz Orientacja obudowy/See insert orientation

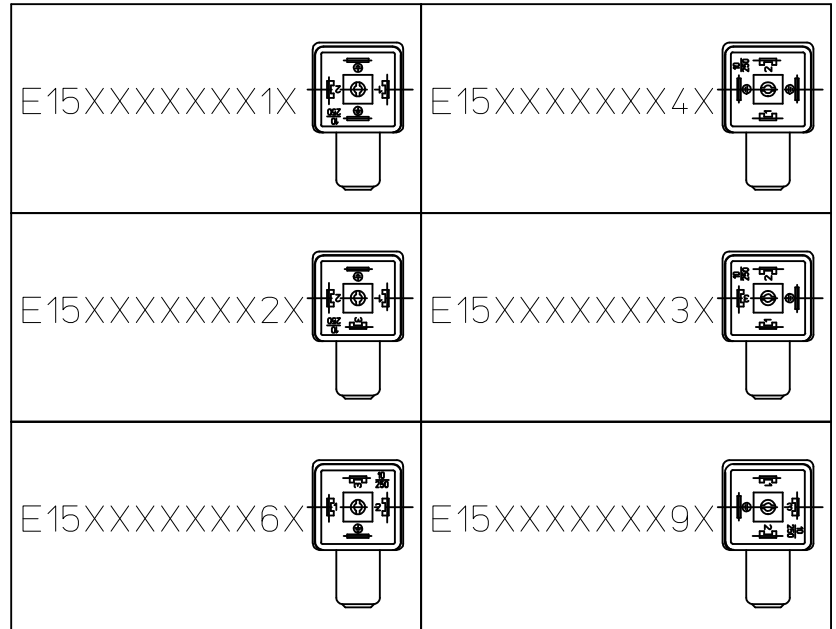
CYNOWAC  
TINNED

Table of lenght tolerances/ Tablica tolerancji dlugosci mm		
Over/Od	Up to and including/ Do-wlacznie	Tolerance/Tolerancja
100	1000	±20
1000	3000	±30
3000	5000	±40
5000	10000	±50
10000	15000	±100
15000	20000	±150
20000		±L/100

SCHEMAT POLACZEN/WIRING CONFIGURATION



Orientacja obudowy/Insert orientation



UWAGI:

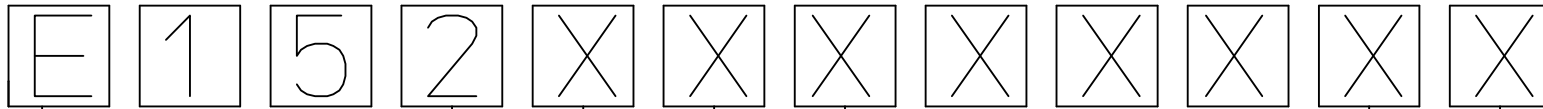
1. DLUGOSC PATRZ ARKUSZ 2.

NOTES:

1. LENGHT SEE SHEET 2.

<b>REMOVING LABEL</b> EC NO: WEU2009-0464 DRWIN: MWOLSZCZAK 2009/06/24 CHYKD: MDABROWSKA 2009/06/25 APPR: GOGRODNIK 2009/08/04	QUALITY SYMBOLS	GENERAL TOLERANCES (UNLESS SPECIFIED)	DIMENSION STYLE	SCALE	DESIGN UNITS	FIRST ANGLE PROJECTION
	▼=0 ◻=0	mm    INCH 4 PLACES ± --- ± --- 3 PLACES ± --- ± --- 2 PLACES ± --- ± --- 1 PLACE ± --- ± --- ANGULAR ± ---°	MM ONLY	---	METRIC	
	DESCRIPTION		DRAWN BY DATE	TITLE	MPM E152XXXXXXXX	
			MATERIAL NO.	DOCUMENT NO.	MOLEX INCORPORATED	
A1	REV	DRAFT WHERE APPLICABLE MUST REMAIN WITHIN DIMENSIONS	SEE DRAWING	SIZE A3	E152XXXXXXXX	
			THIS DRAWING CONTAINS INFORMATION THAT IS PROPRIETARY TO MOLEX INCORPORATED AND SHOULD NOT BE USED WITHOUT WRITTEN PERMISSION			

9 8 7 6 5 4 3 2 1



E - Pakowanie bez workow  
 W - Pakowanie pojedynczo  
 Q - Szybkie pakowanie

ILOSC PRZEWODOW/NUMBER OF WIRES:  
 1=2 PRZEWODY,  
 2=2 PRZEWODY+UZIEMIENIE,  
 3=3 PRZEWODY+UZIEMIENIE.

TYP KABLA/CABLE TYPE  
 PATRZ TABELA 1/SEE TABLE 1

RODZAJ KABLA/CABLE CROSS SECTION AREA  
 PATRZ TABELA 2/SEE TABLE 2

KOLOR MOULDINGU/HEAD COLOUR:  
 G=SZARY/GREY,  
 N=CZARNY/BLACK,  
 T=PRZEZROCYSTY/TRANSPARENT,  
 A=CZARNY/BLACK,  
 B=SZARY/GREY.

DLUGOSC KABLA W CM/CABLE LENGHT IN CM  
 NP:050=50 CM, 300=300 CM.

POLOZENIE PINU Z UZIEMIENIEM(PATRZ TABELA ORJENTACJA OBUDOWY)/EARTH PIN LOCATION(SEE INSERT ORIENTATION TABLE):

1=PODWOJNE UZIEMIENIE NA GODZINIE 6 ORAZ 12/DOUBLE EARTH ON 6H AND 12H,  
 2=UZIEMIENIE NA GODZINIE 12/EARTH ON 12H,  
 6=UZIEMIENIE NA GODZINIE 6/EARTH ON 6H,  
 4=PODWOJNE UZIEMIENIE NA GODZINIE 3 ORAZ 9/DOUBLE EARTH ON 3H AND 9H,  
 3=UZIEMIENIE NA GODZINIE 3/EARTH ON 3H,  
 9=UZIEMIENIE NA GODZINIE 9/EARTH ON 9H.

GASKET ORAZ SRUBY/GASKET SCREWS:

1=GASKET PROFILOWANY+SRUBA/NBR PROFILE GASKET+FIXING SCREWS,  
 2=NBR PLASKI GASKET+SRUBA/NBR FLAT GASKET+SCREW,  
 3=SILIKONOWY PROFILOWANY GASKET+SRUBA/SILICONE PROFILE GASKET+SCREW,  
 4=SILIKONOWY PLASKI GASKET+SRUBA/SILICON FLAT GASKET+SCREW,  
 P=ZINTEGROWANY GASKET+SRUBA/INTEGRATED GASKET+FIXING SCREW,  
 R=ZINTEGROWANY GASKET+SRUBA/INTAGRATED GASKET+SCREW,  
 T=PROFILOWANY GASKET+SRUBA, PROFILE GASKET+SCREW.

ORIGINAL RELEASE EC NO: WEU2009-0394 DRWIN: MWOLSZCZAK 2009/05/26 CHYKD: MDABROWSKA 2009/05/29 APPR: GOGRODNIK 2009/06/08	DESCRIPTION	QUALITY SYMBOLS	GENERAL TOLERANCES (UNLESS SPECIFIED)		DIMENSION STYLE MM ONLY		SCALE ---	DESIGN UNITS METRIC	FIRST ANGLE PROJECTION		
		▽=0 ◻=0	mm	INCH	DRAWN BY	DATE	TITLE MPM E152XXXXXXXXXX				
			4 PLACES ± --- ± ---	3 PLACES ± --- ± ---	MLEVYTSKY	2009/01/21					
			2 PLACES ± --- ± ---	1 PLACE ± --- ± ---	MDABROWSKA	2009/01/21					
		ANGULAR ± ---°			APPROVED BY	DATE	MOLEX INCORPORATED				
					MWOLSZCZAK	2009/01/21	DOCUMENT NO. E152XXXXXXXXXX				
					MATERIAL NO.		SHEET NO. 2 OF 4				
			DRAFT WHERE APPLICABLE MUST REMAIN WITHIN DIMENSIONS		SEE DRAWING		THIS DRAWING CONTAINS INFORMATION THAT IS PROPRIETARY TO MOLEX INCORPORATED AND SHOULD NOT BE USED WITHOUT WRITTEN PERMISSION				
					SIZE A3						