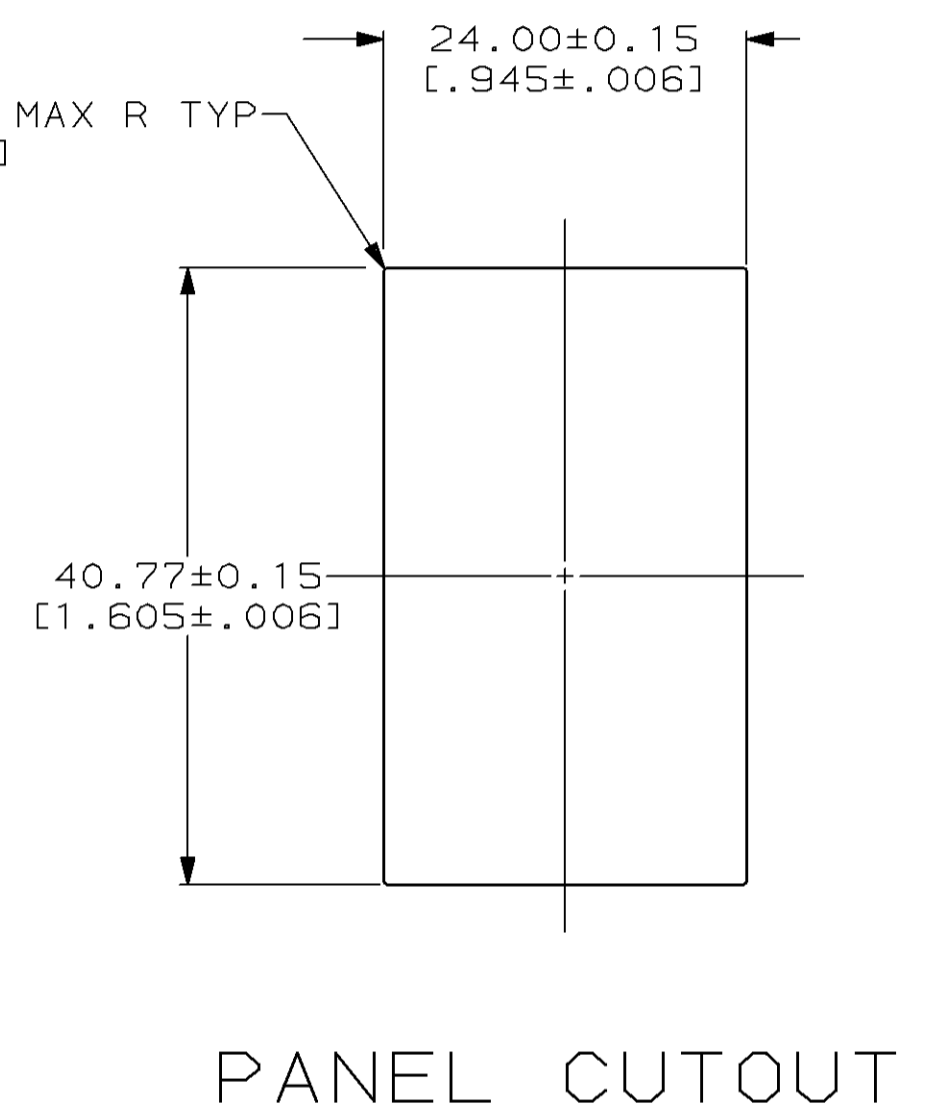
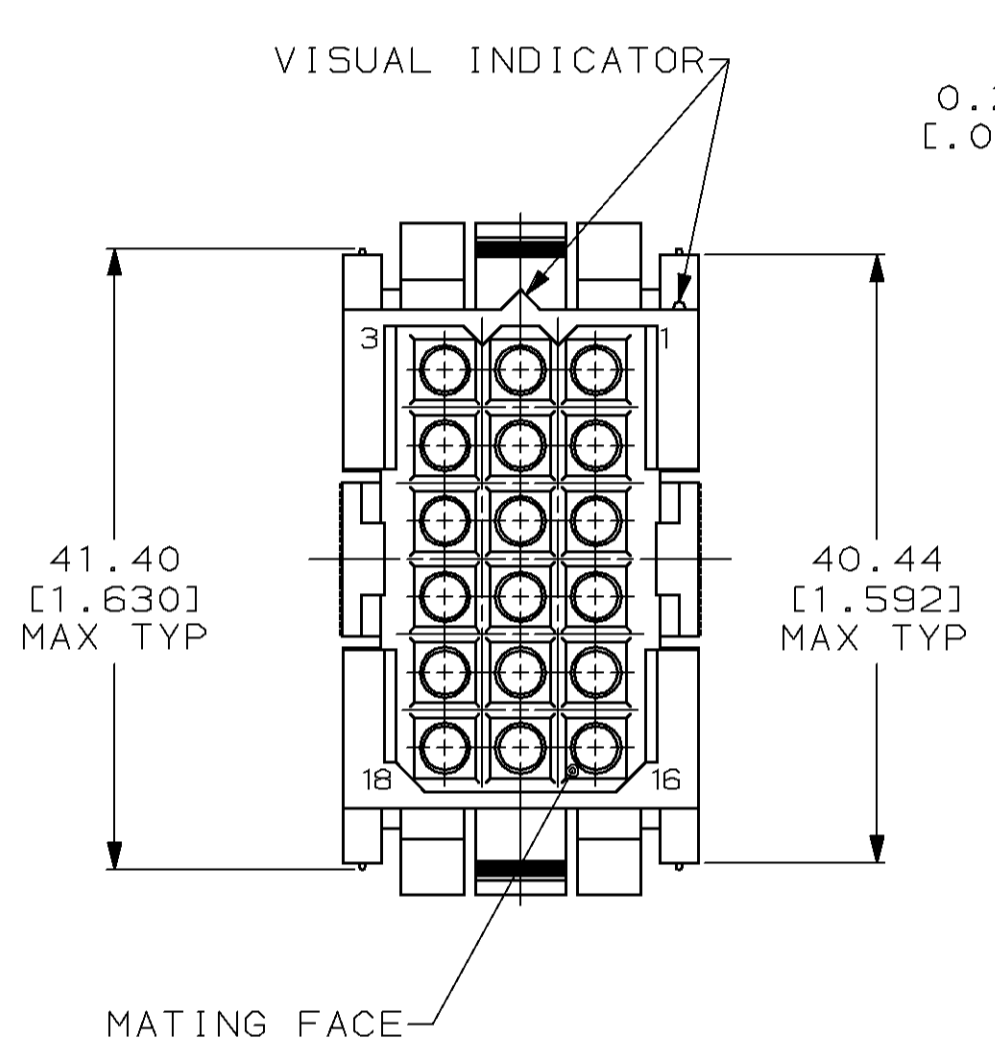
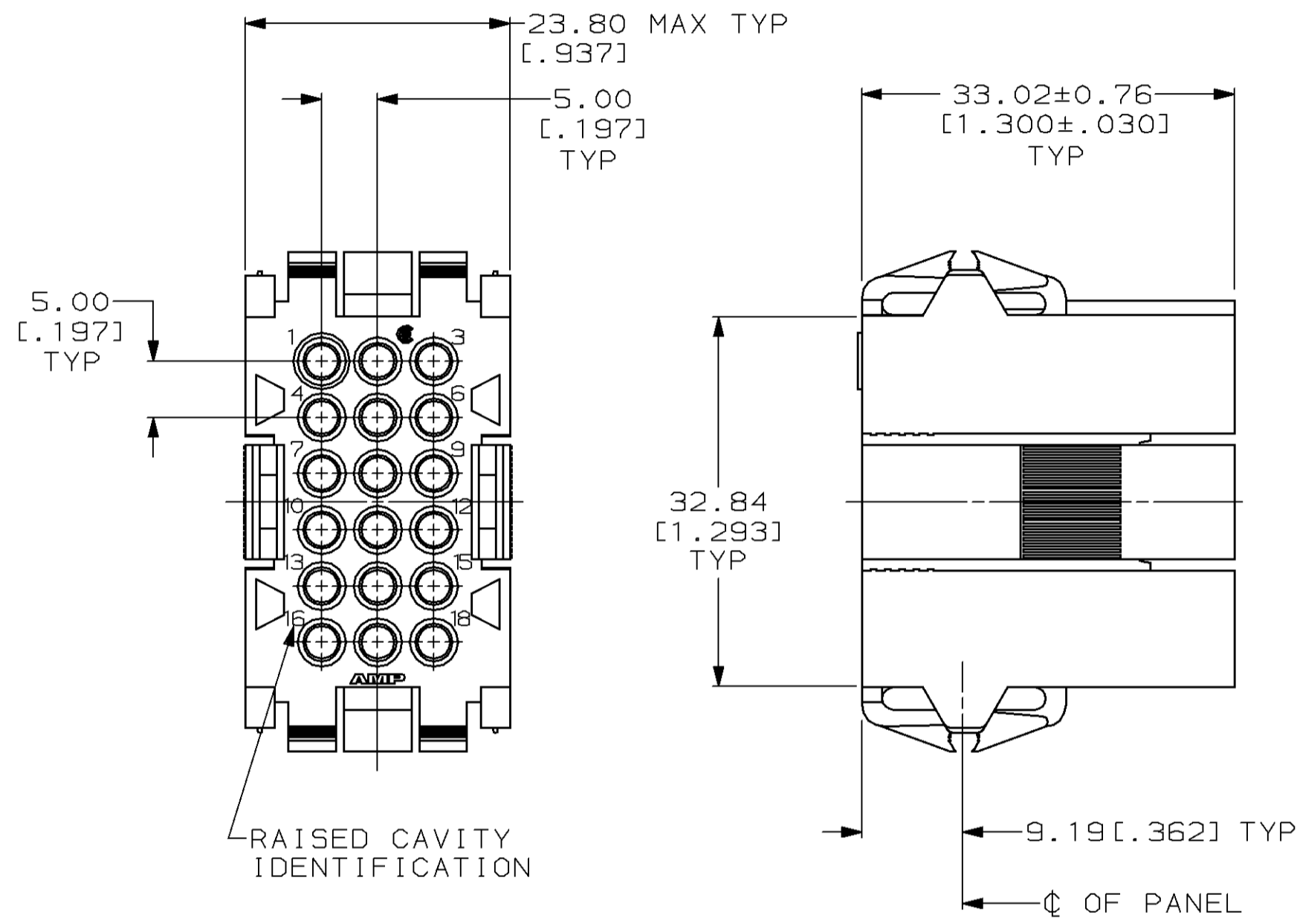


MOD	LOC	DIST	P	F	ZONE	LTR	DESCRIPTION	DATE	APPD
1	BD	37							
						D	REDRAWN & REVISED PER ECN BD6668	08/26/92	-
						E	REV PER EC 0020-250-94	03/24/94	AT



1. PANEL RETENTION MECHANISM ACCOMMODATES PANEL THICKNESSES FROM 0.76 [0.030] TO 2.29 [0.090].

THIS DRAWING IS A CONTROLLED DOCUMENT FOR AMP INCORPORATED. IT IS SUBJECT TO CHANGE AND THE CONTROLLING ENGINEERING ORGANIZATION SHOULD BE CONTACTED FOR THE LATEST REVISION.

DO NOT SCALE PRINT. UNLESS SPECIFIED DIMENSIONS IN mm [INCHES] TOLERANCES ON:		DR 08/26/92 W.LENKER		207443-1	
2 PLC DEC ± 0.25 [0.010]		CHK 8-31-92 R.STONE		PART NO	
3 PLC DEC ± -		APPD 9-2-92 A.TRAVIS		AMP Incorporated Harrisburg, PA 17105-3608	
ANGLES ± -		APPD 9-3-92 C.ROHDE			
MATERIAL	NYLON, COLOR: RED	PRODUCT SPEC	108-10033	NAME	
FINISH	-	APPLICATION SPEC	-	HOUSING, RECEPTACLE, 18 POSITION, METRIMATE	
WEIGHT	-	SCALE	2:1	SIZE	CAGE CODE
				C	00779
				DRAWING NO	C=207443
				SHEET	1 OF 1