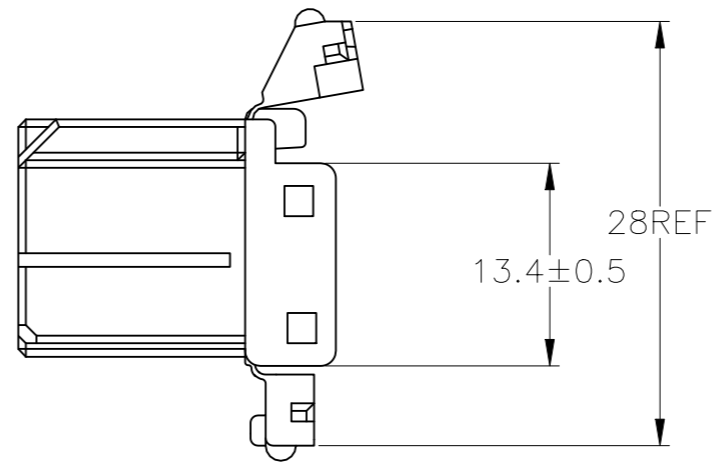
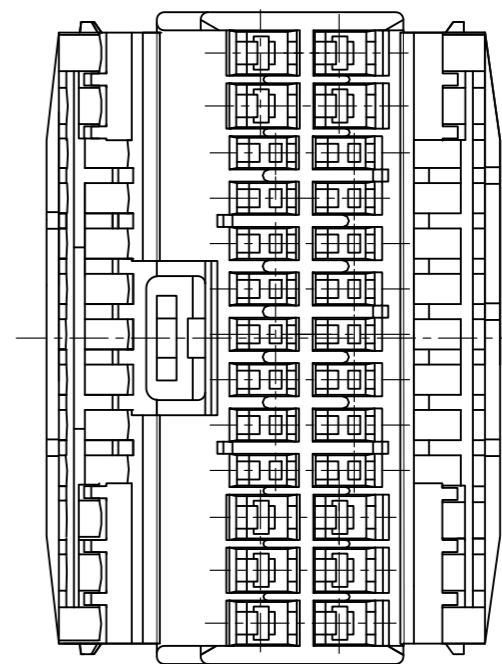
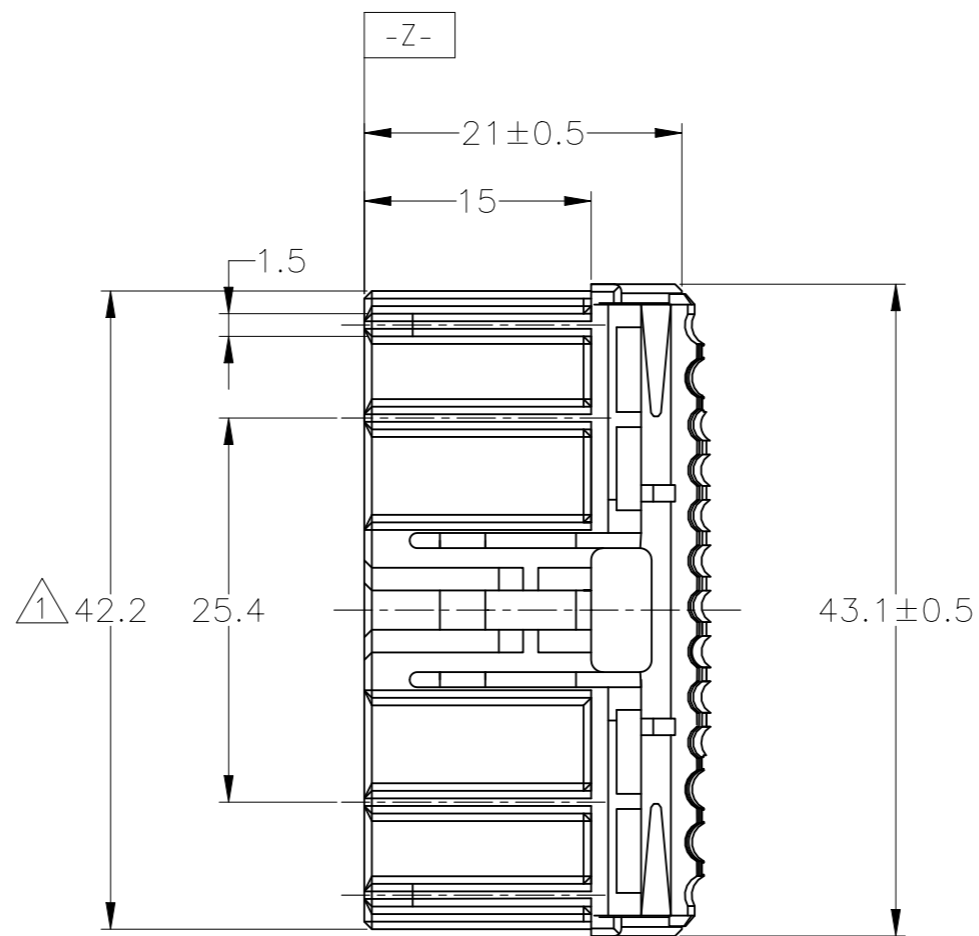
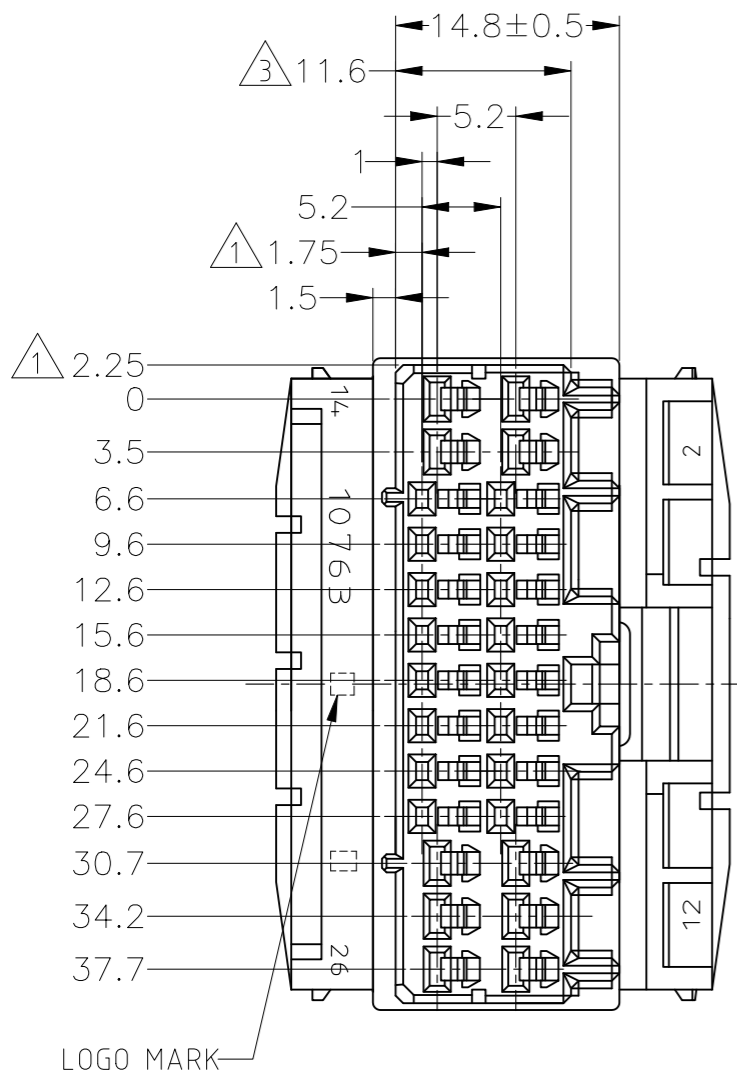


REVISIONS					
P	LTR	DESCRIPTION	DATE	DWN	APVD
E4		REVISED PER ECR-22-153250	04NOV2022	RK	MT



- 1. MUST BE KEPT BETWEEN -Z- AND 2mm.
- 2. THE MATING CAP HOUSING PART NUMBER ; 174518
- 3. APPLIED CONTACT PART NUMBER ; 173631, 173716, 173630, 175094
- 4. APPLICABLE PRODUCT SPECIFICATION NUMBER ; 108-5280

- 1. -Z- 面より 2mmの範囲で測定
- 2. 嵌合相手ハウジング型番 ; 174518
- 3. 内装するリセプタクルコンタクト型番 ; 173631, 173716, 173630, 175094
- 4. 適用製品規格番号 ; 108-5280

	YELLOW	174516-7
OBSOLETE	LIGHT GRAY	6-174516-6
	GRAY	174516-6
OBSOLETE	BLACK	174516-2
	WHITE	174516-1
	COLOR	PART NUMBER

THIS DRAWING IS A CONTROLLED DOCUMENT.		DWN T.SHINOHARA 09JUL10	<b>STE</b> TE Connectivity		
DIMENSIONS: mm		CHK K.BETSUI 09JUL10			
TOLERANCES UNLESS OTHERWISE SPECIFIED:		APVD K.BETSUI 09JUL10	NAME		
0 PLC ± -		PRODUCT SPEC		HYBRID I/O CONNECTOR	
1 PLC ± -		SEE NOTE 4		26POSITION PLUG HOUSING	
2 PLC ± -		APPLICATION SPEC		SIZE	RESTRICTED TO
3 PLC ± -		-		CAGE CODE	DRAWING NO
4 PLC ± -		WEIGHT		A300779	C-174516
ANGLES ± -		CUSTOMER DRAWING		SCALE	SHEET
FINISH		-		2:1	1 OF 1
MATERIAL PBT		-		REV	E4
GENERAL TOLERANCE					
0<* < 10 : ±0.2					
10<* < 30 : ±0.25					
30<* < 100 : ±0.3					
ANGLES : ±3°					