

NOTES:

- MATERIALS AND FINISHES:  
 FERRUL - COPPER, GOLD PLATING  
 HEX NUT - BRASS, GOLD PLATING  
 BODY - BRASS, GOLD PLATING  
 BARREL - BRASS, GOLD PLATING  
 CONTACT - BRASS, GOLD PLATING  
 INSULATOR - PTFE, NATURAL

- ELECTRICAL:  
 A. IMPEDANCE: 50 OHMS  
 B. FREQUENCY RANGE: DC - 12.4 GHz  
 C. VSWR (RETURN LOSS): 1.3 (-17.700 dB) MAX. @ DC - 3 GHz  
 D. DIELECTRIC WITHSTANDING VOLTAGE: 1000 VRMS, MIN.

- MECHANICAL:  
 A. DURABILITY: 500 CYCLES MIN.  
 B. TEMPERATURE RANGE: -65°C TO +165°C

4. CRIMPED FERRULE HEX CRIMP SIZE .128"

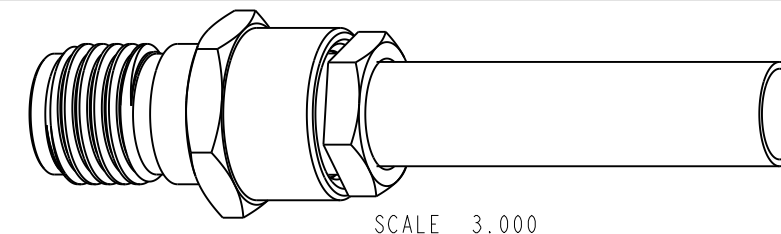
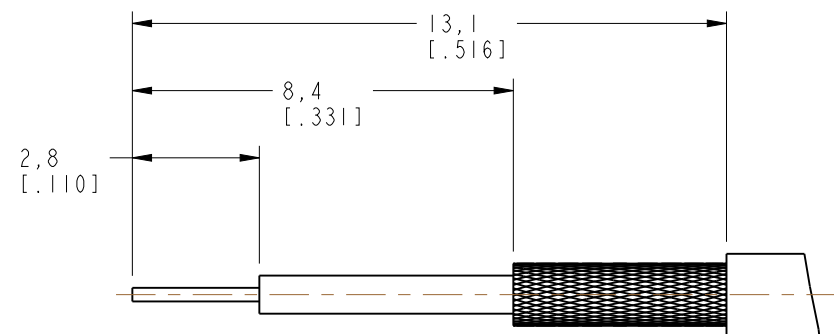
5. CONTACT PIN CAN BE SOLDERED OR USE 4-WAY INDENT TOOL #47025.

6. SHOWS CABLE ENTRY DIMENSIONS.

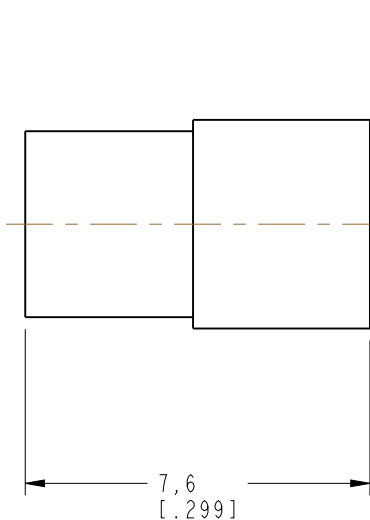
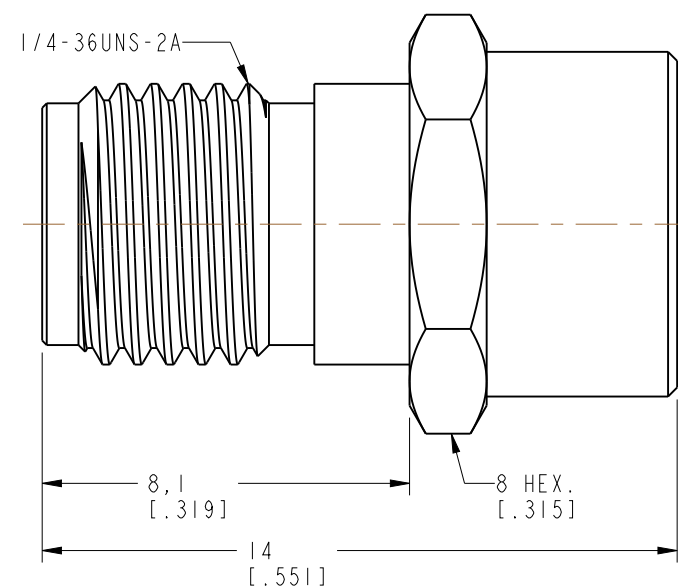
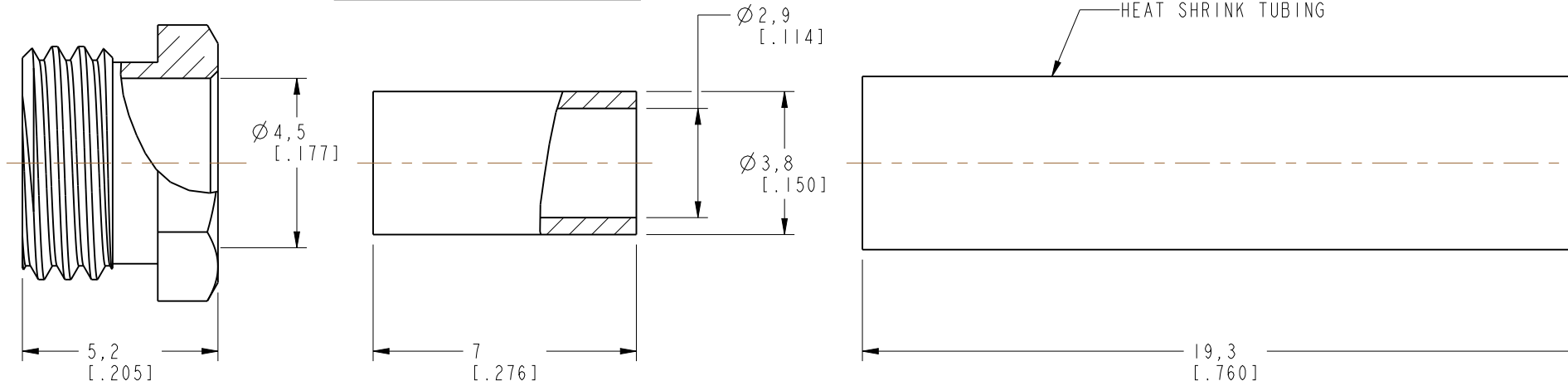
THIRD ANGLE PROJ.

REVISIONS

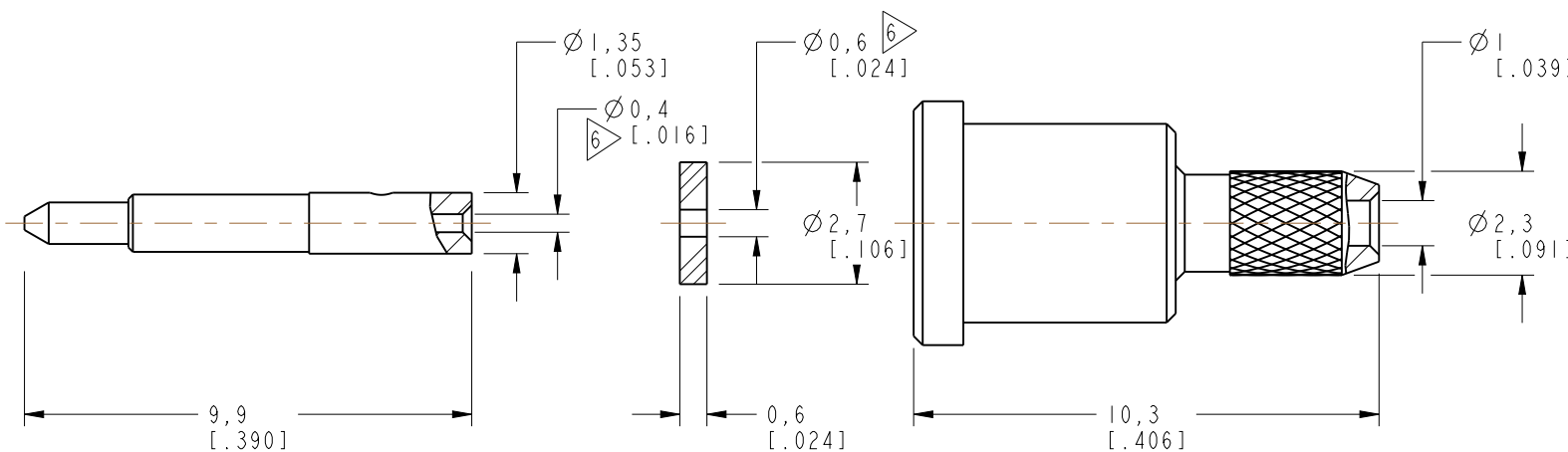
REV	DESCRIPTION	DATE	ECO	APPR
NC	INITIAL RELEASE	13-Apr-12	----	MZ
A	CHANGED THE BARREL O.D & FERRULE	25-Jul-18	08682	MZ



RECOMMENDED CABLE STRIPPING DIM'S



SECTION A-A



**CUSTOMER OUTLINE DRAWING**  
 ALL OTHER SHEETS ARE FOR INTERNAL USE ONLY

UNLESS OTHERWISE SPECIFIED, DIMENSIONS ARE IN METRIC AND TOLERANCES ARE:  
 <0.5mm ±0.05mm    0.5 - 6mm ±0.1mm    6 - 30mm ±0.2mm    30 - 120mm ±0.3mm    ANGLES ±1°

NOTICE - These drawings, specifications, or other data (1) are, and remain the property of Amphenol corp. (2) must be returned upon request; and (3) are confidential and not to be disclosed to any person other than those to whom they are given by Amphenol Corp. the furnishing of these drawings, specifications, or other data by Amphenol Corp., or to any other person to anyone for any purpose is not to be regarded by implication or otherwise in any manner licensing, granting rights to permitting such holder or any other person to manufacture, use or sell any product, process or design, patented or otherwise, that may in any way be related to or disclosed by said drawings, specifications, or other data.

MATERIAL	DRAWN M.ZHANG	DATE 15-Jun-18	TITLE SMA REVERSE POLARITY CRIMP JACK (FOR RG- 178B/U, 196A/U CABLE)		Amphenol RF www.amphenolrf.com
REFERENCE AND CONFIGURATION LEVEL: In Work	ENGINEER S.LI	DATE 10-May-12	SCALE: 6.0:1.0 SHEET 2 OF 2		
FINISH	APPROVED S.HSIEH	DATE 15-Jun-18	DWG SIZE B	REV A	DRAWING NO. RSMA6111G2-3GT5GP-196AU-50
	CAD FILE				ITEM NO. 616111AAC16FR5F
					PART NO. 132279RP