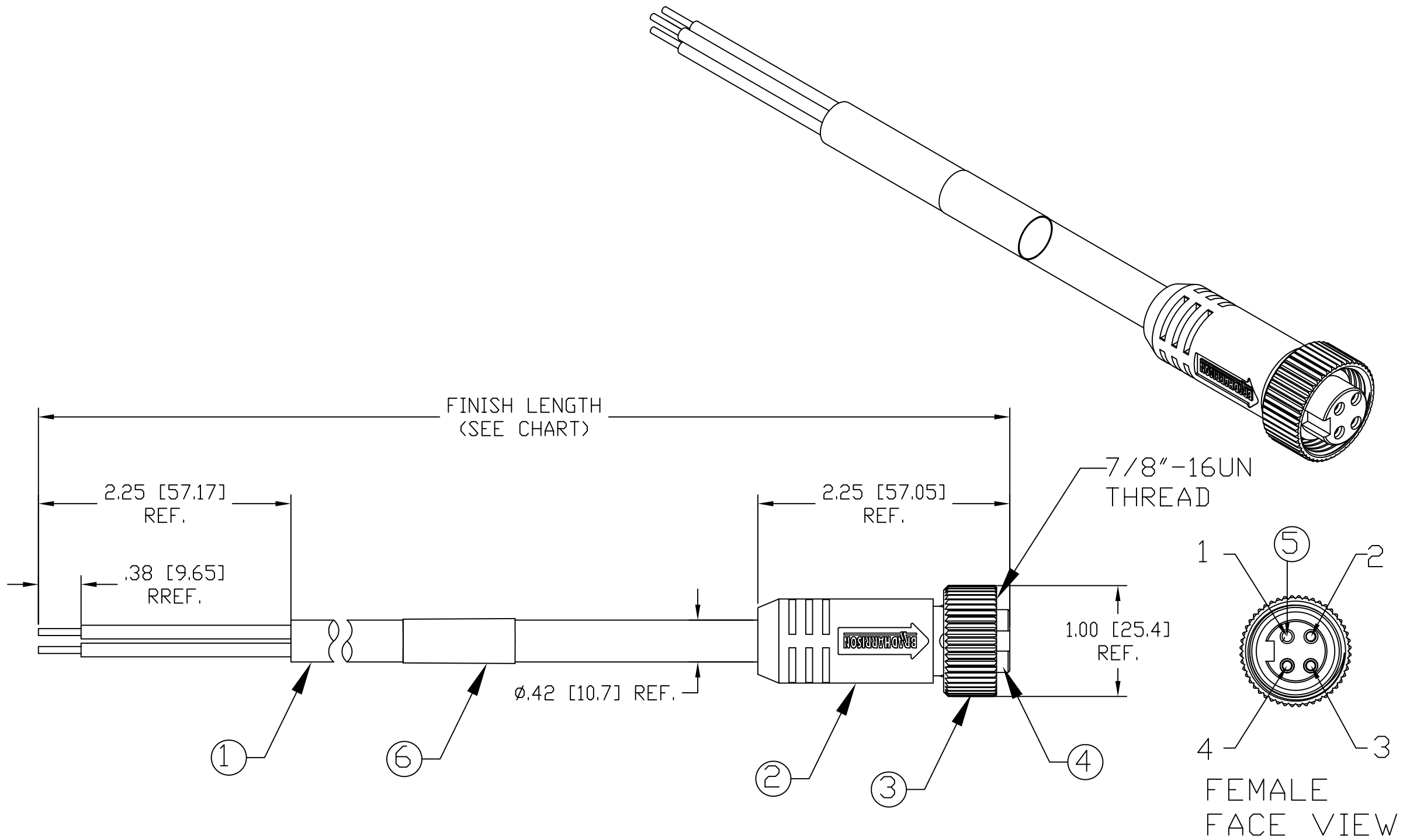


13	12	11	10	9	8	7	6	5	4	3	2	1
PART NUMBER	ENGINEERING NUMBER	FINISH LENGTH										
1300060725	104000A01F030	3.00' +1.75" -0 [.9M +44.5 -0]										
1300060728	104000A01F060	6.00' +2.19" -0 [1.8M +55.6 -0]										
1300060737	104000A01F120	12.00' +3.50" -0 [3.7M +88.9 -0]										
1300060741	104000A01F150	15.00' +6.50" -0 [4.6M +165.1 -0]										
1300060744	104000A01F200	20.00' +6.50" -0 [6.1M +165.1 -0]										
1300060748	104000A01F250	25.00' +12.50" -0 [7.6M +317.5 -0]										
1300060751	104000A01F300	30.00' +12.50" -0 [9.11M +317.5 -0]										

NOTE

- 1) MATERIAL: SEE TABLE
- 2) FINISHES: SEE TABLE
- 3) WRAP LABEL IS MARKED WITH P/N, DATE CODE, VOLTAGE & AMPERAGE
- 4) MATES WITH: MINI CHANGE, 4 POLE RECEPTACLE
- 5) ELECTRICAL DATA:
 INLINE CORDSET
 FEMALE A-SIZE WITH FLYING LEADS
 16AWG UNSHIELDED
 POLES: 4
 MAX. VOLTAGE: 600V
 MAX. CURRENT 10A
 PROTECTION IP67
 TEMPERATURE RANGE: -20°C TO 105°C
- 6) PACKAGING:
 CABLE ASSEMBLIES ARE BAGGED SEPERATELY
 IN POLY BAGS WITH BAR CODE LABEL ATTACHED
 TO OUTSIDE OF BAG.
- 7) ASSEMBLY IS RoHS COMPLIANT.
- 8) CERTIFICATION
 UL RECOGNIZED, FILE NO. E152210
 CSA CERTIFIED, FILE NO. LR6837



P1

1	BLACK
2	WHITE
3	RED
4	GREEN/YELLOW-GND

WIRING DIAGRAM

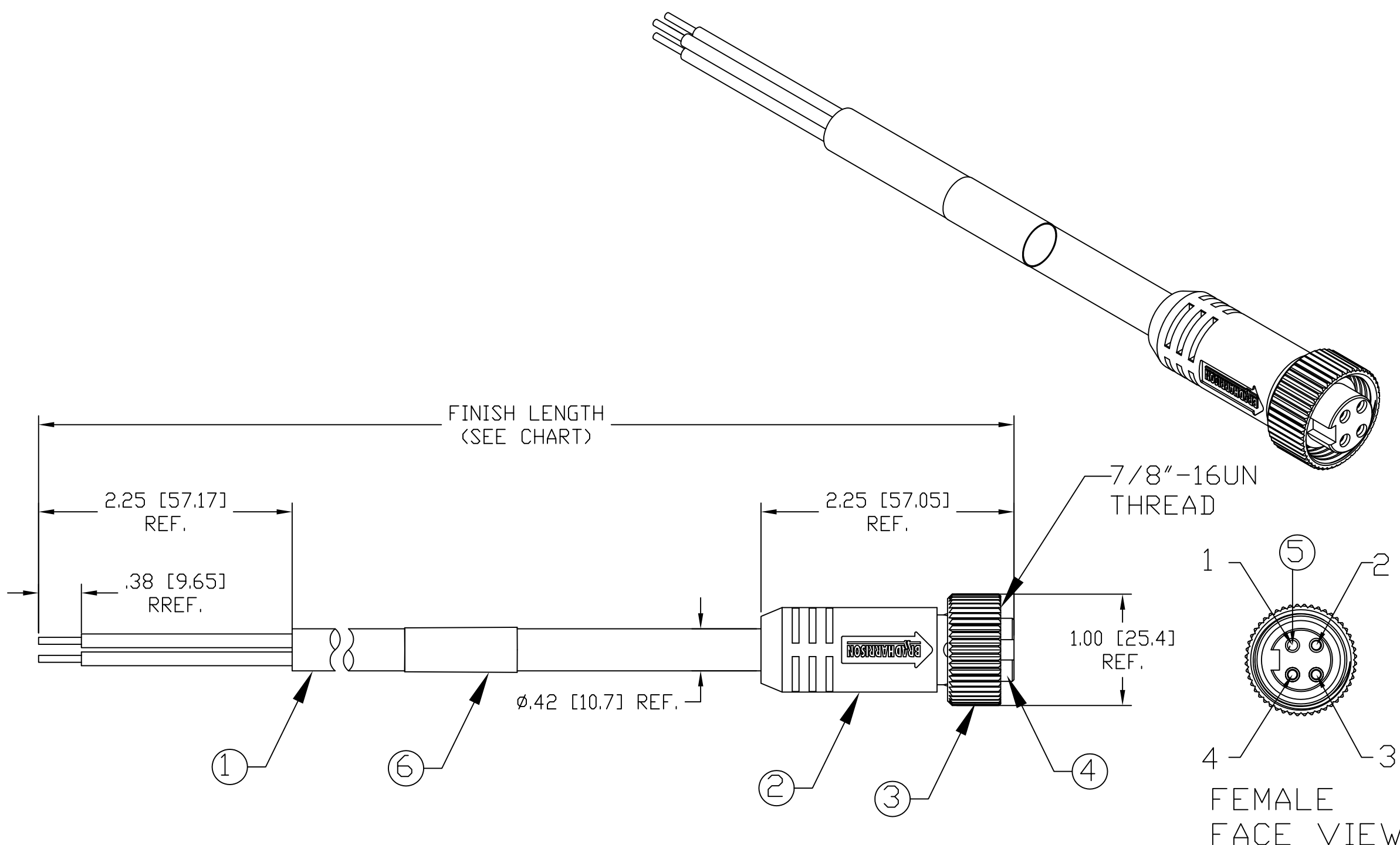
ITEM	QTY.	DESCRIPTION	MATERIAL	FINISH
6	1	LABEL	PLASTIC FILM	BLACK/YELLOW
5	4	CONTACT SOCKET	COPPER ALLOY	GOLD PLATED
4	1	INSERT	PVC	YELLOW
3	1	COUPLING NUT	ZINC DIE CAST	BLACK E-COATED
2	1	OVERMOLD	PVC	YELLOW
1	1	CABLE, 16AWG-4 TYPE ST00W	PVC	YELLOW

RELEASE EC NO: WNA2010-0397 DRWN: BWOODMAN 12/22/09 CH'KD: --- APPR: JFMURPHY 2010/01/05	DESCRIPTION REV	QUALITY SYMBOL ▽=0 ◻=0	GENERAL TOLERANCES (UNLESS SPECIFIED) <table border="1"> <tr> <th></th> <th>mm</th> <th>INCH</th> </tr> <tr> <td>4 PLACES</td> <td>±---</td> <td>±---</td> </tr> <tr> <td>3 PLACES</td> <td>±.005</td> <td>±.005</td> </tr> <tr> <td>2 PLACES</td> <td>±.013</td> <td>±.010</td> </tr> <tr> <td>1 PLACE</td> <td>±.025</td> <td>±.020</td> </tr> </table>		mm	INCH	4 PLACES	±---	±---	3 PLACES	±.005	±.005	2 PLACES	±.013	±.010	1 PLACE	±.025	±.020	DIMENSION STYLE IN/MM DRAWN BY: TWOLDEGE DATE: 2009/07/10 CHECKED BY: BWOODMAN DATE: 2009/07/10 APPROVED BY: JFMURPHY DATE: 2010/01/05	SCALE: 1:1 DESIGN UNITS: INCH THIRD ANGLE PROJECTION
			mm	INCH																
		4 PLACES	±---	±---																
		3 PLACES	±.005	±.005																
2 PLACES	±.013	±.010																		
1 PLACE	±.025	±.020																		
DRAFT WHERE APPLICABLE MUST REMAIN WITHIN DIMENSIONS			MATERIAL NO.: SEE CHART SIZE: C	TITLE: MINI CHANGE ASSEMBLY 4-POLE FEMALE ST 16/4AWG PVC MOLEX INCORPORATED																
			DOCUMENT NO.: SD-130006-010 SHEET NO.: 1 OF 1																	
THIS DRAWING CONTAINS INFORMATION THAT IS PROPRIETARY TO MOLEX INCORPORATED AND SHOULD NOT BE USED WITHOUT WRITTEN PERMISSION																				

13	12	11	10	9	8	7	6	5	4	3	2	1
PART NUMBER	ENGINEERING NUMBER	FINISH LENGTH										
1300060725	104000A01F030	3.00' +1.75" -0 [.9M +44.5 -0]										
1300060728	104000A01F060	6.00' +2.19" -0 [1.8M +55.6 -0]										
1300060737	104000A01F120	12.00' +3.50" -0 [3.7M +88.9 -0]										
1300060741	104000A01F150	15.00' +6.50" -0 [4.6M +165.1 -0]										
1300060744	104000A01F200	20.00' +6.50" -0 [6.1M +165.1 -0]										
1300060748	104000A01F250	25.00' +12.50" -0 [7.6M +317.5 -0]										
1300060751	104000A01F300	30.00' +12.50" -0 [9.11M +317.5 -0]										

NOTE

- 1) MATERIAL: SEE TABLE
- 2) FINISHES: SEE TABLE
- 3) WRAP LABEL IS MARKED WITH P/N, DATE CODE, VOLTAGE & AMPERAGE
- 4) MATES WITH: MINI CHANGE, 4 POLE RECEPTACLE
- 5) ELECTRICAL DATA:
 INLINE CORDSET
 FEMALE A-SIZE WITH FLYING LEADS
 16AWG UNSHIELDED
 POLES: 4
 MAX. VOLTAGE: 600V
 MAX. CURRENT 10A
 PROTECTION IP67
 TEMPERATURE RANGE: -20°C TO 105°C
- 6) PACKAGING:
 CABLE ASSEMBLIES ARE BAGGED SEPERATELY
 IN POLY BAGS WITH BAR CODE LABEL ATTACHED
 TO OUTSIDE OF BAG.
- 7) ASSEMBLY IS RoHS COMPLIANT.
- 8) CERTIFICATION
 UL RECOGNIZED, FILE NO. E152210
 CSA CERTIFIED, FILE NO. LR6837



P1

1	BLACK
2	WHITE
3	RED
4	GREEN/YELLOW-GND

WIRING DIAGRAM

ITEM	QTY.	DESCRIPTION	MATERIAL	FINISH
6	1	LABEL	PLASTIC FILM	BLACK/YELLOW
5	4	CONTACT SOCKET	COPPER ALLOY	GOLD PLATED
4	1	INSERT	PVC	YELLOW
3	1	COUPLING NUT	ZINC DIE CAST	BLACK E-COATED
2	1	OVERMOLD	PVC	YELLOW
1	1	CABLE, 16AWG-4 TYPE ST00W	PVC	YELLOW

RELEASE EC NO: WNA2010-0397 DRWN: BWOODMAN 12/22/09 CH'KD: --- APPR: JFMURPHY 2010/01/05	DESCRIPTION REV	QUALITY SYMBOL ▽=0 ◻=0	GENERAL TOLERANCES (UNLESS SPECIFIED) <table border="1"> <tr> <th></th> <th>mm</th> <th>INCH</th> </tr> <tr> <td>4 PLACES</td> <td>±---</td> <td>±---</td> </tr> <tr> <td>3 PLACES</td> <td>±.005</td> <td>±.005</td> </tr> <tr> <td>2 PLACES</td> <td>±.013</td> <td>±.010</td> </tr> <tr> <td>1 PLACE</td> <td>±.025</td> <td>±.020</td> </tr> </table>		mm	INCH	4 PLACES	±---	±---	3 PLACES	±.005	±.005	2 PLACES	±.013	±.010	1 PLACE	±.025	±.020	DIMENSION STYLE IN/MM DRAWN BY: TWOLDEGE DATE: 2009/07/10 CHECKED BY: BWOODMAN DATE: 2009/07/10 APPROVED BY: JFMURPHY DATE: 2010/01/05	SCALE: 1:1 DESIGN UNITS: INCH THIRD ANGLE PROJECTION
			mm	INCH																
		4 PLACES	±---	±---																
		3 PLACES	±.005	±.005																
2 PLACES	±.013	±.010																		
1 PLACE	±.025	±.020																		
DRAFT WHERE APPLICABLE MUST REMAIN WITHIN DIMENSIONS			MATERIAL NO.: SEE CHART SIZE: C	TITLE: MINI CHANGE ASSEMBLY 4-POLE FEMALE ST 16/4AWG PVC MOLEX INCORPORATED DOCUMENT NO.: SD-130006-010 SHEET NO.: 1 OF 1																
THIS DRAWING CONTAINS INFORMATION THAT IS PROPRIETARY TO MOLEX INCORPORATED AND SHOULD NOT BE USED WITHOUT WRITTEN PERMISSION																				