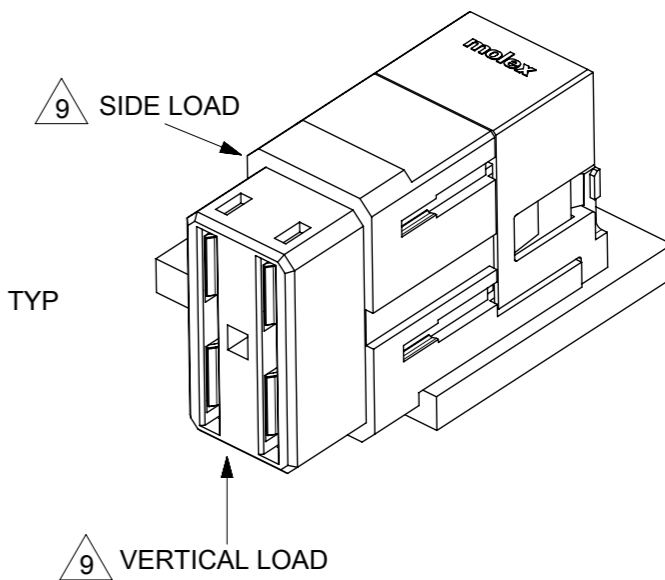
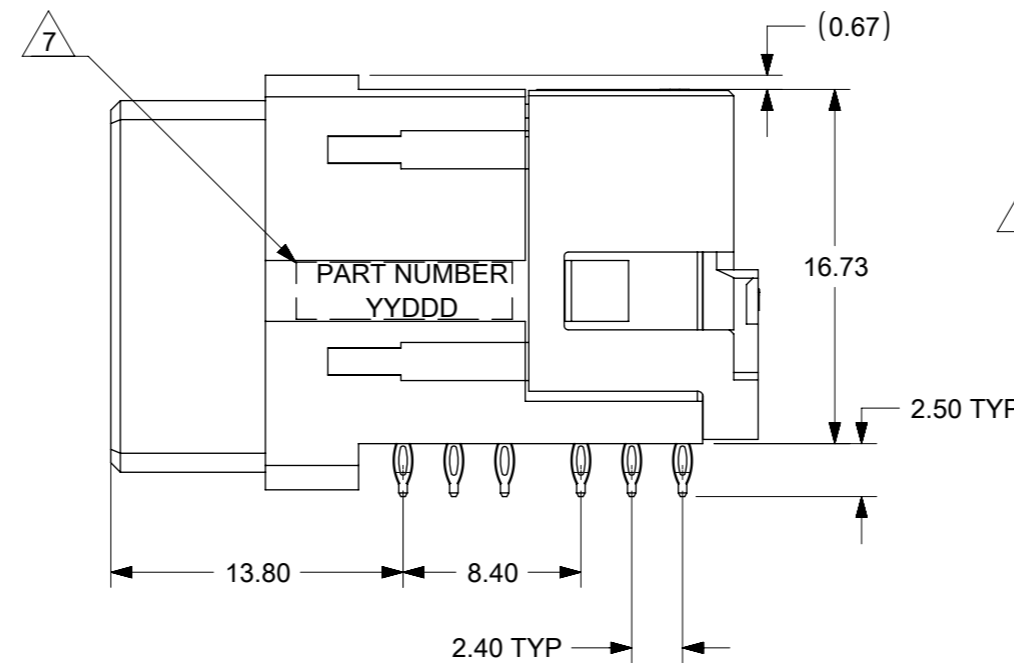
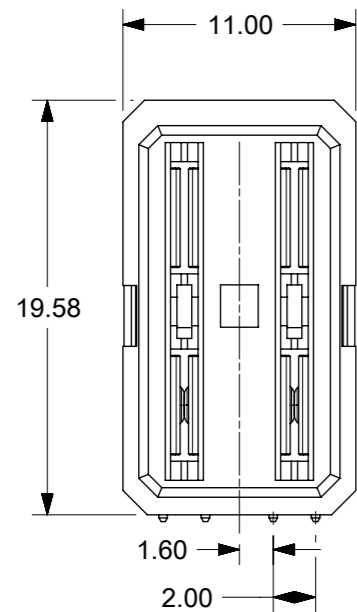


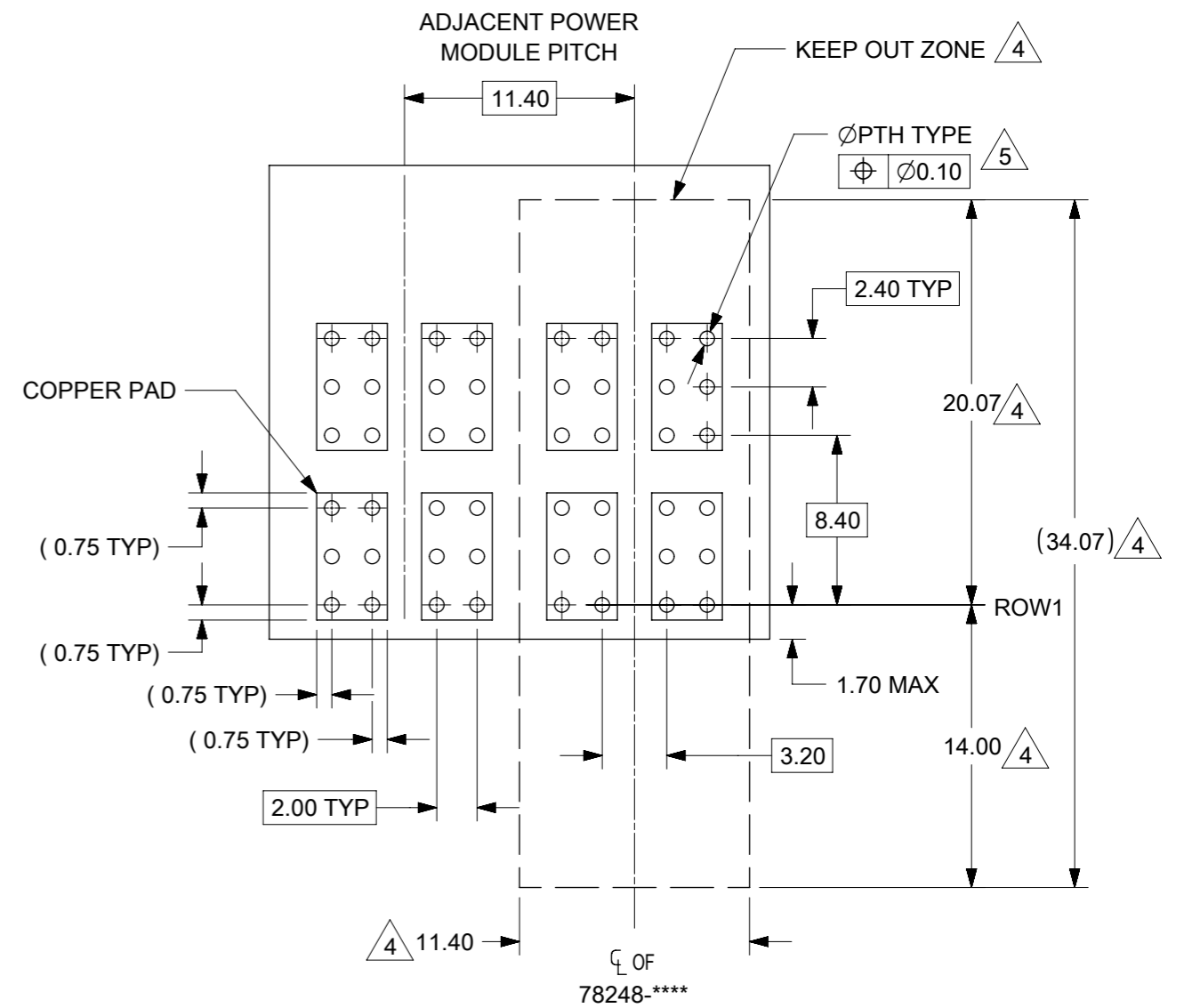
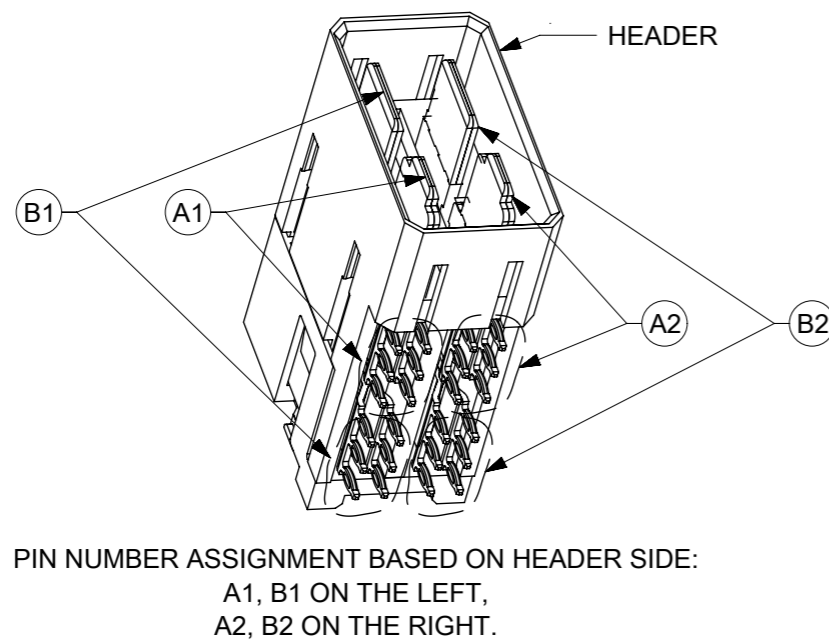
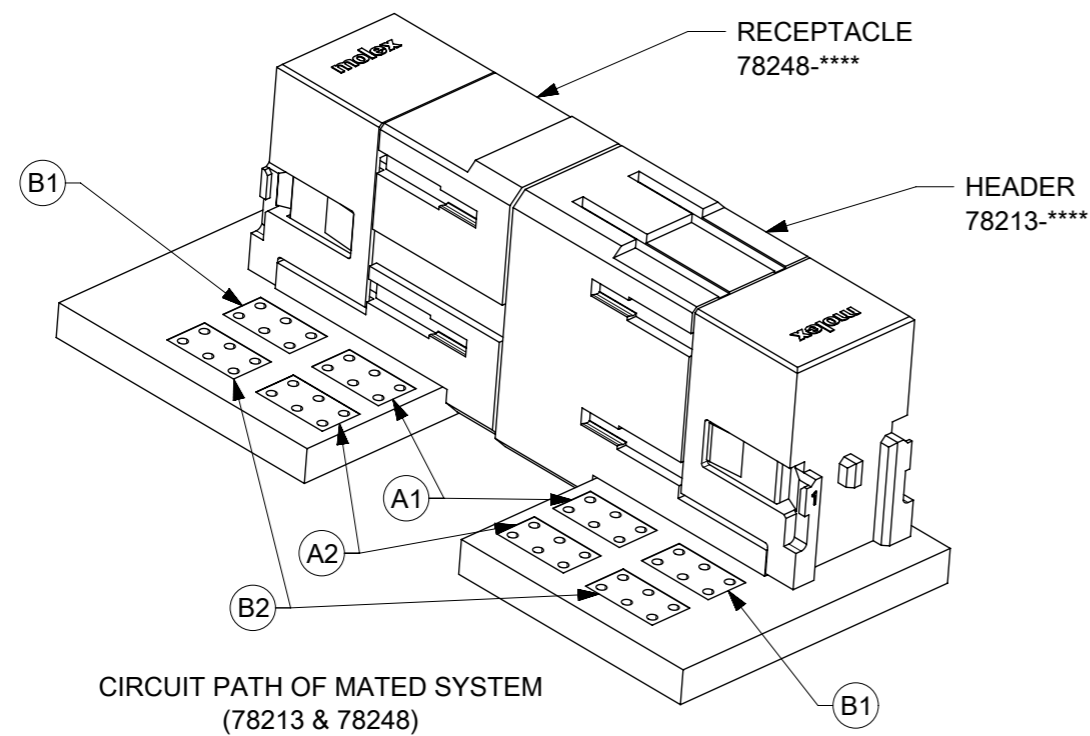
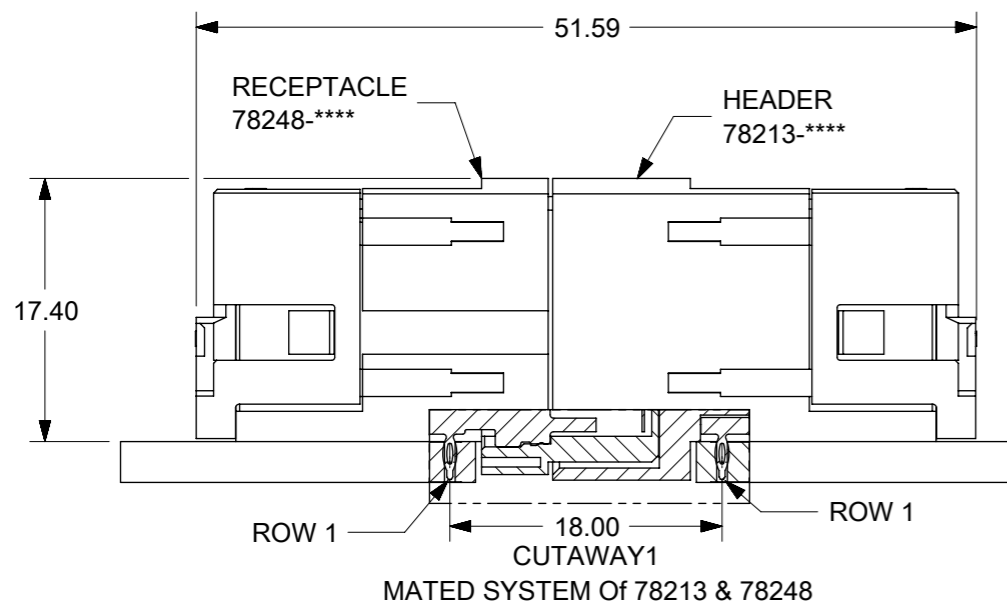
PART NUMBER	PLATING OPTIONS	PACKAGING
78248-1001	TIN PLATING	TRAY

NOTES:

1. MATERIAL:
HOUSING - LCP, GLASS FILLED, UL94-V0, COLOR: BLACK
POWER PIN - COPPER ALLOY
2. FINISH OPTION:
TIN - 0.76µm MINIMUM GOLD AT CONTACT AND
2.54µm MINIMUM TIN AT SOLDER TAIL AREA OVER
1.27µm MINIMUM NICKEL UNDERPLATE OVERALL.
3. PRODUCT SPECIFICATION: PS-78213-001.
4. KEEP OUT ZONE FROM OTHER COMPONENTS.
5. REFER TO MOLEX PRODUCT SPECIFICATION PS-78213-001 FOR PLATED THROUGH-HOLE SPECIFICATION.
6. MATES WITH 78213-****.
7. PART NUMBER AND DATE CODE (YYDDD) APPROXIMATELY SHOWN.
8. PACKAGING SPECIFICATION: PK-78248-***
9. A HOLD DOWN MODULE (78350 SERIES) SHALL BE EMPLOYED IF THERE IS A SIDE LOAD OR VERTICAL LOAD ACTING ON THE CONNECTOR.



THIS DRAWING CONTAINS INFORMATION THAT IS PROPRIETARY TO MOLEX ELECTRONIC TECHNOLOGIES, LLC AND SHOULD NOT BE USED WITHOUT WRITTEN PERMISSION		CURRENT REV DESC: MIGRATED TO NX		molex	
DIMENSION UNITS	SCALE				
mm	NTS			PRODUCT CUSTOMER DRAWING	
GENERAL TOLERANCES (UNLESS SPECIFIED)		EC NO: 612055		DOCUMENT NUMBER	
ANGULAR TOL	± 3.0 °	DRWN: SKRISHNAMU01 2019/01/17		SD-78248-001	
4 PLACES	±	CHK'D: ABN 2019/02/14		DOC TYPE	DOC PART
3 PLACES	±	APPR: CWANG25 2019/03/05		PSD	001
2 PLACES	± 0.25	INITIAL REVISION:		REVISION	
1 PLACE	±	DRWN: LNG 2010/02/08		A4	
0 PLACES	±	APPR: SHONG 2010/02/08			
DRAFT WHERE APPLICABLE MUST REMAIN WITHIN DIMENSIONS		THIRD ANGLE PROJECTION	DRAWING	SERIES	MATERIAL NUMBER
			A3-SIZE	78248	SEE TABLE
		CUSTOMER	SHEET NUMBER		
		GENERAL MARKET	1 OF 2		



RECOMMENDED PCB LAYOUT
(COMPONENT SIDE SHOWN)
MINIMUM BOARD THICKNESS: 1.60mm

THIS DRAWING CONTAINS INFORMATION THAT IS PROPRIETARY TO MOLEX ELECTRONIC TECHNOLOGIES, LLC AND SHOULD NOT BE USED WITHOUT WRITTEN PERMISSION		CURRENT REV DESC: MIGRATED TO NX		molex	
DIMENSION UNITS	SCALE				
mm	NTS			IMPACT POWER, 4 PAIR RIGHT ANGLE RECEPTACLE PRESS-FIT	
GENERAL TOLERANCES (UNLESS SPECIFIED)				PRODUCT CUSTOMER DRAWING	
ANGULAR TOL	± 3.0°	EC NO:	612055	DOCUMENT NUMBER	DOC TYPE
4 PLACES	±	DRWN:	SKRISHNAMU01 2019/01/17	SD-78248-001	PSD
3 PLACES	±	CHK'D:	ABN 2019/02/14	DOC PART	001
2 PLACES	± 0.25	APPR:	CWANG25 2019/03/05	REVISION	A4
1 PLACE	±	INITIAL REVISION:		MATERIAL NUMBER	
0 PLACES	±	DRWN:	LNG 2010/02/08	CUSTOMER	GENERAL MARKET
DRAFT WHERE APPLICABLE MUST REMAIN WITHIN DIMENSIONS		THIRD ANGLE PROJECTION	DRAWING	SERIES	SHEET NUMBER
			A3-SIZE	78248	2 OF 2