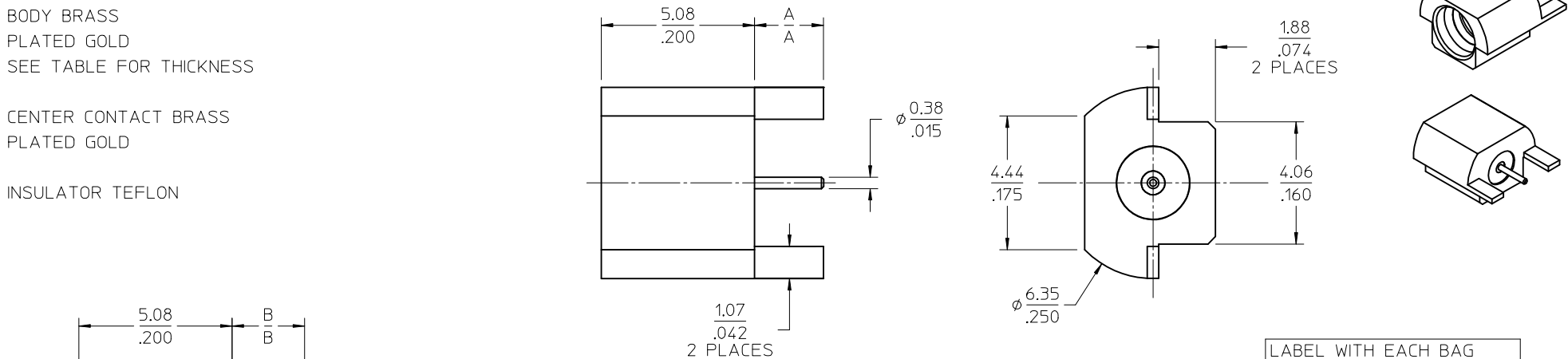


MATERIALS AND FINISHES

BODY BRASS
 PLATED GOLD
 SEE TABLE FOR THICKNESS

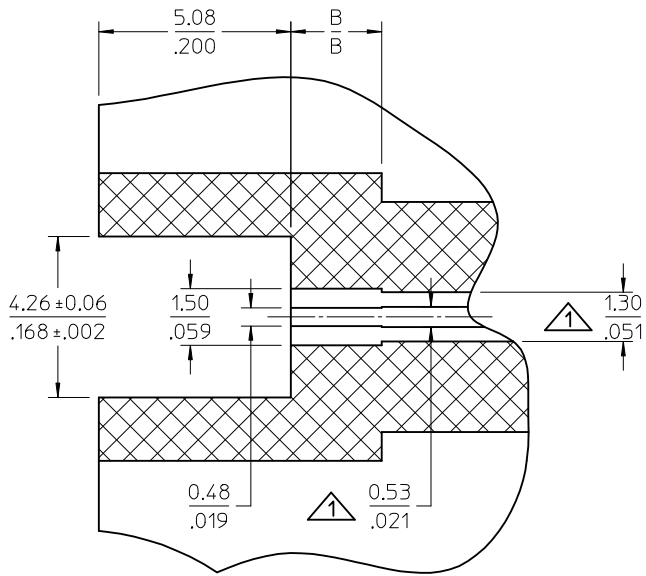
CENTER CONTACT BRASS
 PLATED GOLD

INSULATOR TEFLON



LABEL WITH EACH BAG
 FOR 73415-3595

PART NUMBER: 73415-3591
 ORDER NUMBER: 73415-3595
 MOLEX
 DATE: YYWW



RECOMMENDED PCB LAYOUT

DIMENSIONS APPLICABLE FOR ROGERS 4350
 PCB MATERIAL ONLY

73415-3596	73415-3591 1000 PCS PER REEL (TAPE & REEL PACK)
73415-3595	73415-3591 ONE PIECE PER BAG WITH LABEL
73415-3593	73415-3591 20 PCS PER SMALL TRAY 89707-0308
73415-3592	73415-3590 20 PCS PER SMALL TRAY 89707-0308
73415-3591	73415-3591 80 PCS PER SMALL TRAY 89707-0190
73415-3590	73415-3590 80 PCS PER SMALL TRAY 89707-0190
PART NO.	PACKAGING

73415-3594	.090 REF	2.29 REF	.095	2.41	30u" GOLD
73415-3591	.050 REF	1.27 REF	.055	1.40	10u" GOLD
73415-3590	.090 REF	2.29 REF	.095	2.41	10u" GOLD
PART NO.	IN	MM	IN	MM	BODY PLATING
DIM A			DIM B		

PS-89675-3320	PRODUCT SPECIFICATION
MIL-STD-348A, FIG. 326-3	INTERFACE
SPECIFICATION	DESCRIPTION

CHG: ADDED -3596 & PACKAGING PER PDR12091181
 EC NO: URF2014-0195 2012/09/27
 DRWNR:YEH
 CHKD:
 APPR:MHUANG 2013/10/07

DESCRIPTION

QUALITY SYMBOLS

REVISION

A8

GENERAL TOLERANCES (UNLESS SPECIFIED)

	mm	INCH
4 PLACES	± .005	± .0002
3 PLACES	± .004	± .00015
2 PLACES	± .003	± .0001
1 PLACE	± .002	± .00008
0 PLACE	± .001	± .00005

ANGULAR ± 2°

DRAFT WHERE APPLICABLE MUST REMAIN WITHIN DIMENSIONS

DIMENSION STYLE MM/IN

SCALE 10:1

DESIGN UNITS METRIC

THIRD ANGLE PROJECTION

DRAWN BY SSS DATE 2007/07/18

CHECKED BY TEL DATE 2007/07/18

APPROVED BY GMH DATE 2007/07/18

MATERIAL NO.

SEE TABLE

SIZE C

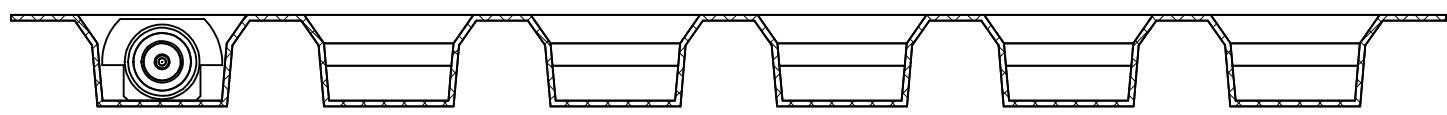
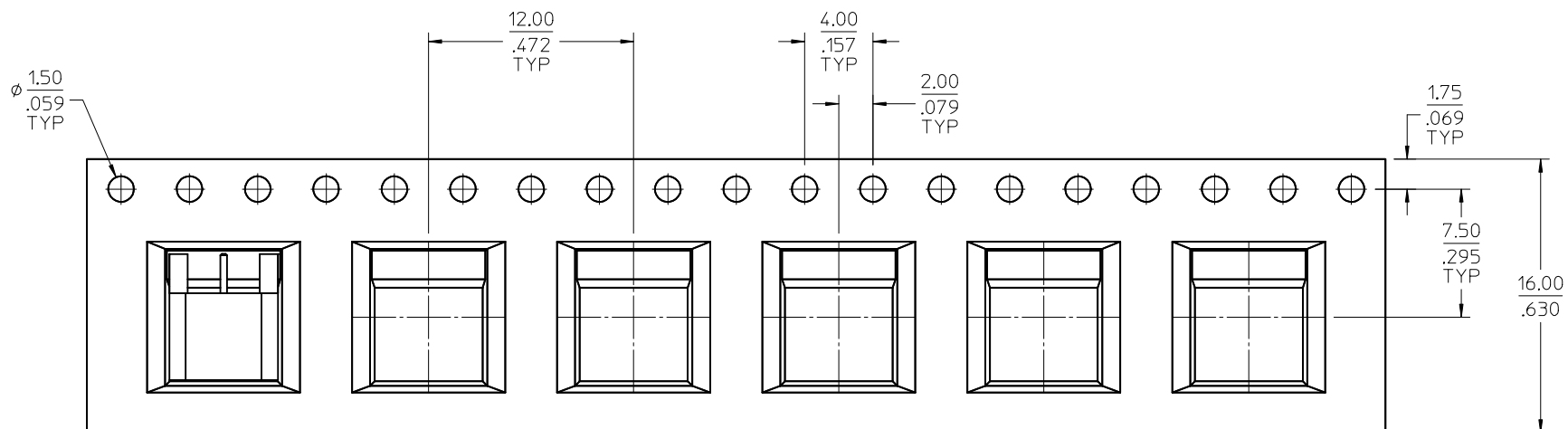
TITLE SMP PLUG, PCB EDGEMOUNT
 50 OHMS LIMITED DETENT
 SMP-P/PCB

molex

DOCUMENT NO. SD-73415-359

SHEET NO. 1 OF 3

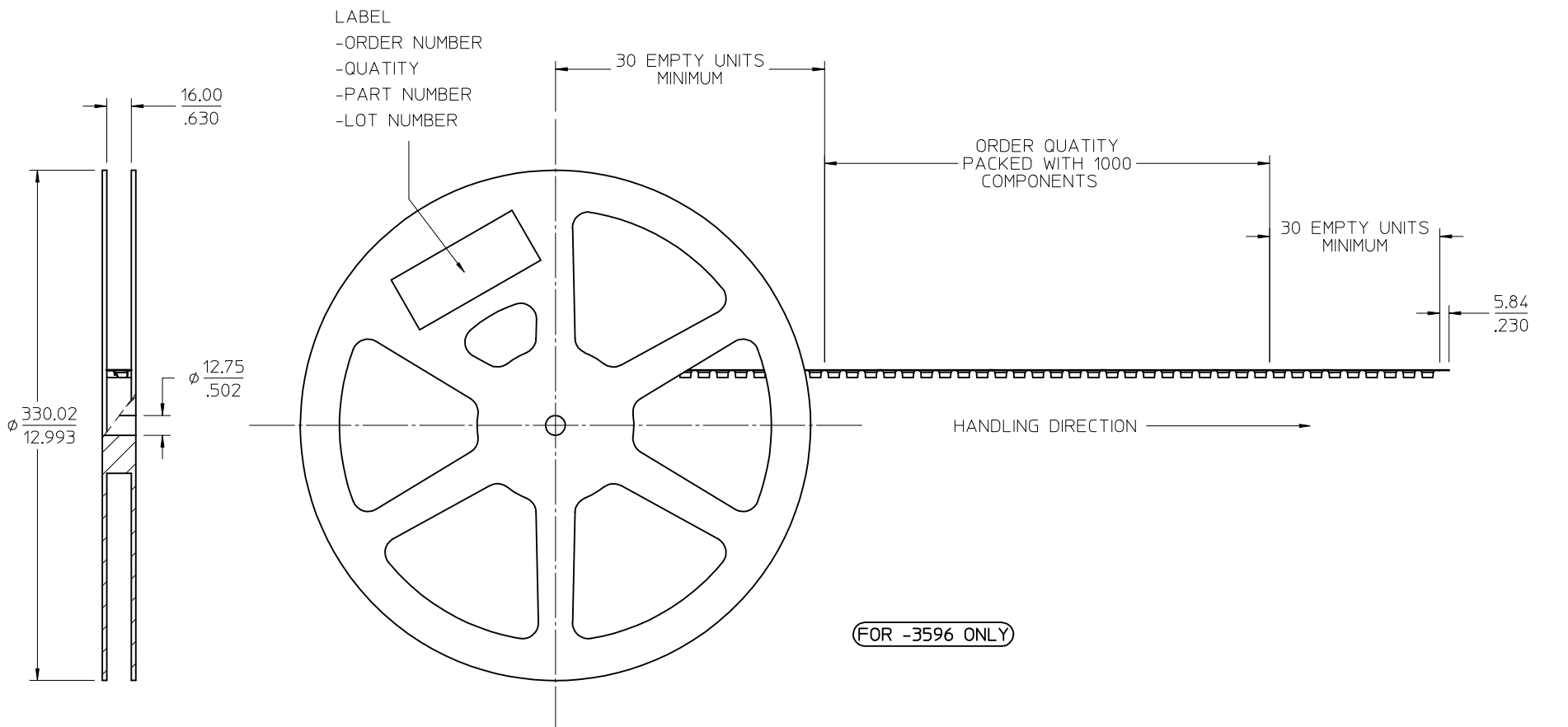
THIS DRAWING CONTAINS INFORMATION THAT IS PROPRIETARY TO MOLEX INCORPORATED AND SHOULD NOT BE USED WITHOUT WRITTEN PERMISSION



CHG:SEE SHEET 1 EC NO: URF2014-0195 DRAWN:RYEH CHKD: APPR:MHUANG 2012/09/27 2013/10/07 DESCRIPTION	QUALITY SYMBOLS	GENERAL TOLERANCES (UNLESS SPECIFIED)	DIMENSION STYLE	SCALE	DESIGN UNITS	THIRD ANGLE PROJECTION																		
	$\nabla = 0$ $\nabla = 0$ $\nabla = 0$	<table border="1"> <thead> <tr> <th></th> <th>mm</th> <th>INCH</th> </tr> </thead> <tbody> <tr> <td>4 PLACES</td> <td>\pm .010</td> <td>\pm .0004</td> </tr> <tr> <td>3 PLACES</td> <td>\pm .015</td> <td>\pm .0006</td> </tr> <tr> <td>2 PLACES</td> <td>\pm .020</td> <td>\pm .0008</td> </tr> <tr> <td>1 PLACE</td> <td>\pm .030</td> <td>\pm .0012</td> </tr> <tr> <td>0 PLACE</td> <td>\pm .040</td> <td>\pm .0016</td> </tr> </tbody> </table>		mm	INCH	4 PLACES	\pm .010	\pm .0004	3 PLACES	\pm .015	\pm .0006	2 PLACES	\pm .020	\pm .0008	1 PLACE	\pm .030	\pm .0012	0 PLACE	\pm .040	\pm .0016	MM/IN	5:1	METRIC	
		mm	INCH																					
	4 PLACES	\pm .010	\pm .0004																					
3 PLACES	\pm .015	\pm .0006																						
2 PLACES	\pm .020	\pm .0008																						
1 PLACE	\pm .030	\pm .0012																						
0 PLACE	\pm .040	\pm .0016																						
REV	DESCRIPTION	ANGULAR $\pm 2^\circ$ DRAFT WHERE APPLICABLE MUST REMAIN WITHIN DIMENSIONS	DRAWN BY DATE SSS 2007/07/18 CHECKED BY DATE TEL 2007/07/18 APPROVED BY DATE GMH 2007/07/18	TITLE	SMP PLUG, PCB EDGEMOUNT 50 OHMS LIMITED DETENT SMP-P/PCB molex DOCUMENT NO. SD-73415-359 SHEET NO. 2 OF 3																			
A8			MATERIAL NO. SEE TABLE SIZE C	THIS DRAWING CONTAINS INFORMATION THAT IS PROPRIETARY TO MOLEX INCORPORATED AND SHOULD NOT BE USED WITHOUT WRITTEN PERMISSION																				

13 12 11 10 9 8 7 6 5 4 3 2 1

J I H G F E D C B A



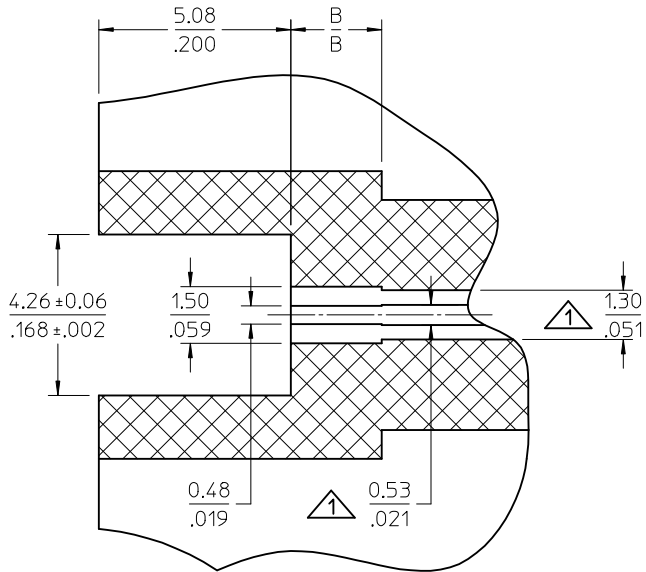
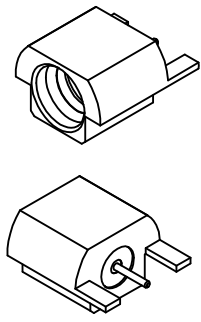
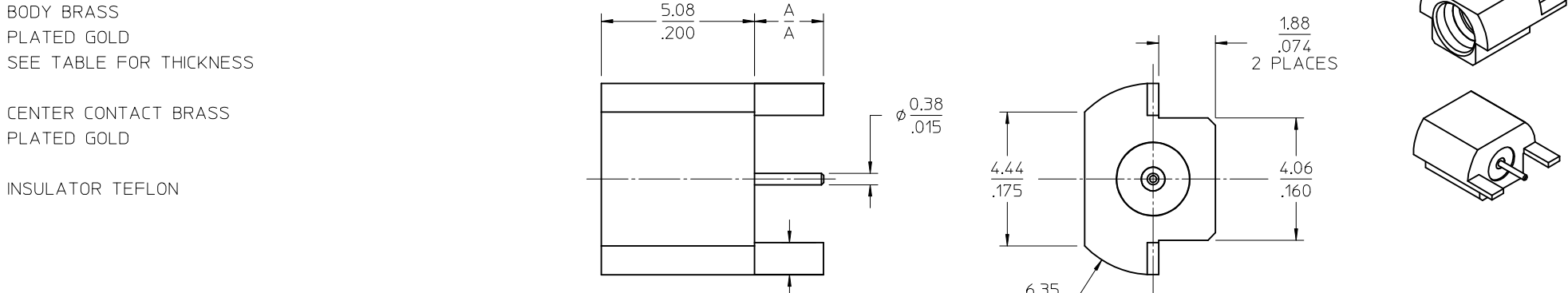
CHG:SEE SHEET 1 EC NO: URF2014-0195 DRAWN BY: DRWNR/REH CHKD: APPR: MHIANG	DESCRIPTION REV	QUALITY SYMBOLS	GENERAL TOLERANCES (UNLESS SPECIFIED)	DIMENSION STYLE	SCALE	DESIGN UNITS	THIRD ANGLE PROJECTION
				MM/IN	1:2	METRIC	
		▽=0	4 PLACES ± --- ± ---	DRAWN BY DATE	TITLE		
		▽=0	3 PLACES ± --- ± ---	SSS 2007/07/18	SMP PLUG, PCB EDGEMOUNT		
▽=0	2 PLACES ± --- ± ---	CHECKED BY DATE	50 OHMS LIMITED DETENT				
	1 PLACE ± --- ± ---	TEL 2007/07/18	SMP-P/PCB				
	0 PLACE ± ±	APPROVED BY DATE	molex				
	ANGULAR ± 2 °	GMH 2007/07/18	MATERIAL NO.	DOCUMENT NO.		SHEET NO.	
	DRAFT WHERE APPLICABLE MUST REMAIN WITHIN DIMENSIONS		SEE TABLE	SD-73415-359		3 OF 3	
			SIZE C	THIS DRAWING CONTAINS INFORMATION THAT IS PROPRIETARY TO MOLEX INCORPORATED AND SHOULD NOT BE USED WITHOUT WRITTEN PERMISSION			

MATERIALS AND FINISHES

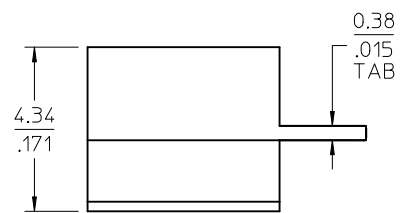
BODY BRASS
 PLATED GOLD
 SEE TABLE FOR THICKNESS

CENTER CONTACT BRASS
 PLATED GOLD

INSULATOR TEFLON



RECOMMENDED PCB LAYOUT
 ▲ DIMENSIONS APPLICABLE FOR ROGERS 4350
 PCB MATERIAL ONLY



LABEL WITH EACH BAG
 FOR 73415-3595

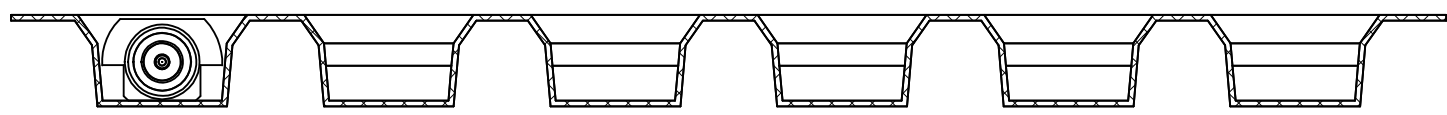
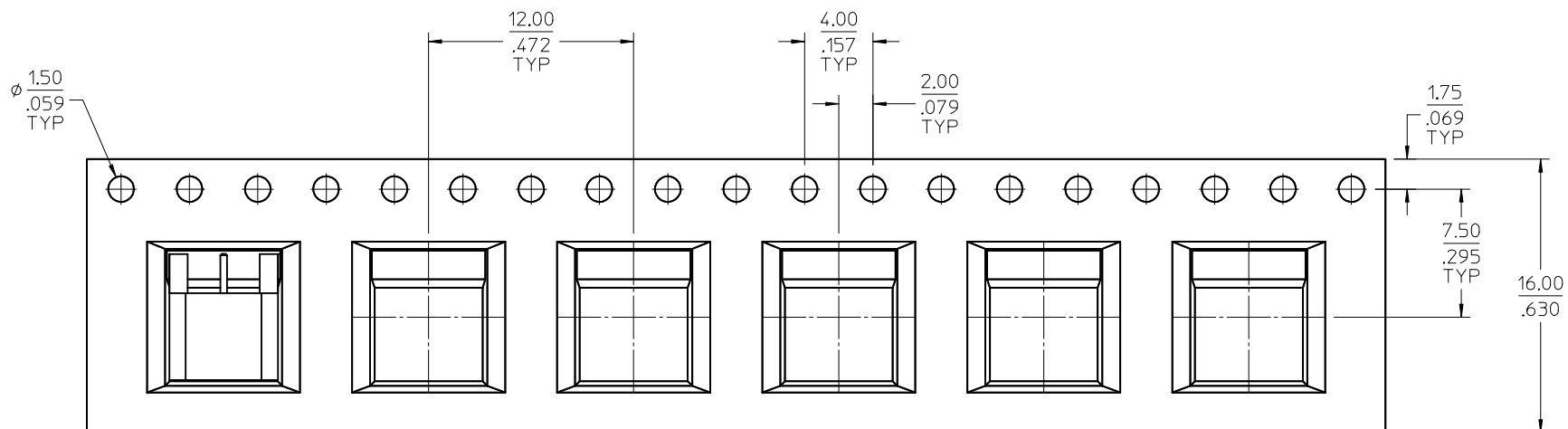
PART NUMBER: 73415-3591
 ORDER NUMBER: 73415-3595
 MOLEX
 DATE: YYWW

73415-3596	73415-3591 1000 PCS PER REEL (TAPE & REEL PACK)
73415-3595	73415-3591 ONE PIECE PER BAG WITH LABEL
73415-3593	73415-3591 20 PCS PER SMALL TRAY 89707-0308
73415-3592	73415-3590 20 PCS PER SMALL TRAY 89707-0308
73415-3591	73415-3591 80 PCS PER SMALL TRAY 89707-0190
73415-3590	73415-3590 80 PCS PER SMALL TRAY 89707-0190
PART NO.	PACKAGING

73415-3594	.090 REF	2.29 REF	.095	2.41	30u" GOLD
73415-3591	.050 REF	1.27 REF	.055	1.40	10u" GOLD
73415-3590	.090 REF	2.29 REF	.095	2.41	10u" GOLD
PART NO.	IN	MM	IN	MM	BODY PLATING
DIM A			DIM B		

CHG: ADDED -3596 & PACKAGING PER PDR12091181 EC NO: URF2014-0195 2012/09/27 DRWNR: YEH 2013/10/07 CHKD: APPR: MHIANG A8	QUALITY SYMBOLS ▽=0 ▽=0 ▽=0	GENERAL TOLERANCES (UNLESS SPECIFIED) mm INCH 4 PLACES ± --- ± --- 3 PLACES ± --- ± --- 2 PLACES ± --- ± --- 1 PLACE ± --- ± --- 0 PLACE ± ±	DIMENSION STYLE MM/IN DRAWN BY DATE SSS 2007/07/18 CHECKED BY DATE TEL 2007/07/18 APPROVED BY DATE GMH 2007/07/18	SCALE 10:1 DESIGN UNITS METRIC THIRD ANGLE PROJECTION	TITLE SMP PLUG, PCB EDGEMOUNT 50 OHMS LIMITED DETENT SMP-P/PCB molex DOCUMENT NO. SD-73415-359 SHEET NO. 1 OF 3	
	ANGULAR ± 2 ° DRAFT WHERE APPLICABLE MUST REMAIN WITHIN DIMENSIONS		MATERIAL NO. SEE TABLE	THIS DRAWING CONTAINS INFORMATION THAT IS PROPRIETARY TO MOLEX INCORPORATED AND SHOULD NOT BE USED WITHOUT WRITTEN PERMISSION		

PS-89675-3320	PRODUCT SPECIFICATION
MIL-STD-348A, FIG. 326-3	INTERFACE
SPECIFICATION	DESCRIPTION

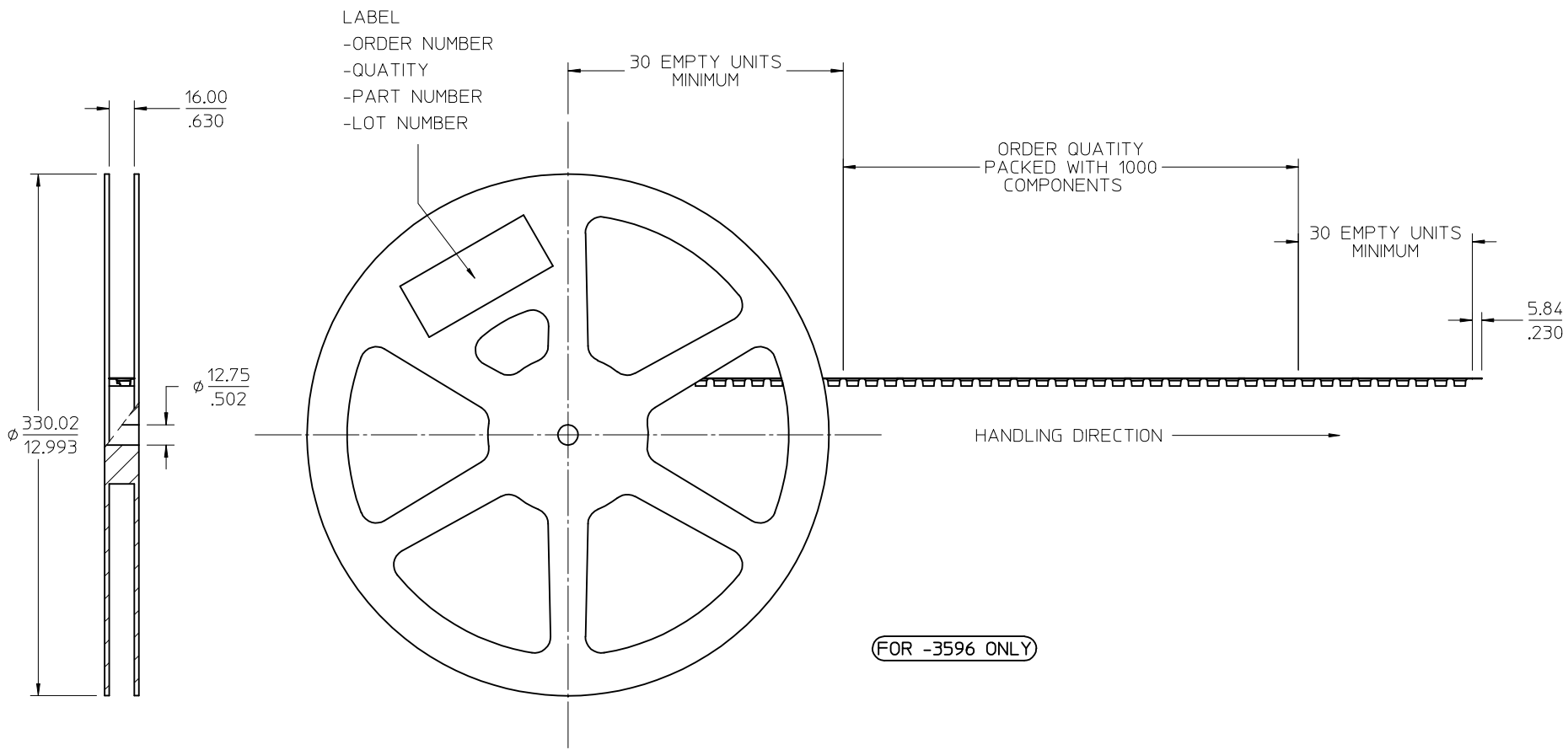


CHG:SEE SHEET 1 EC NO: URF2014-0195 DRAWN:RYEH CHKD: APPR:MHUANG	DESCRIPTION 2013/10/07	QUALITY SYMBOLS	GENERAL TOLERANCES (UNLESS SPECIFIED)	DIMENSION STYLE	SCALE	DESIGN UNITS	THIRD ANGLE PROJECTION																
		$\nabla = 0$ $\nabla = 0$ $\nabla = 0$	<table border="1"> <thead> <tr> <th></th> <th>mm</th> <th>INCH</th> </tr> </thead> <tbody> <tr> <td>4 PLACES</td> <td>\pm ---</td> <td>\pm ---</td> </tr> <tr> <td>3 PLACES</td> <td>\pm ---</td> <td>\pm ---</td> </tr> <tr> <td>2 PLACES</td> <td>\pm ---</td> <td>\pm ---</td> </tr> <tr> <td>1 PLACE</td> <td>\pm ---</td> <td>\pm ---</td> </tr> <tr> <td>0 PLACE</td> <td>\pm ---</td> <td>\pm ---</td> </tr> </tbody> </table>		mm	INCH	4 PLACES	\pm ---	\pm ---	3 PLACES	\pm ---	\pm ---	2 PLACES	\pm ---	\pm ---	1 PLACE	\pm ---	\pm ---	0 PLACE	\pm ---	\pm ---	MM/IN	5:1
	mm	INCH																					
4 PLACES	\pm ---	\pm ---																					
3 PLACES	\pm ---	\pm ---																					
2 PLACES	\pm ---	\pm ---																					
1 PLACE	\pm ---	\pm ---																					
0 PLACE	\pm ---	\pm ---																					
A8	REV	ANGULAR $\pm 2^\circ$	DRAFT WHERE APPLICABLE MUST REMAIN WITHIN DIMENSIONS	DRAWN BY: SSS CHECKED BY: TEL APPROVED BY: GMH DATE: 2007/07/18	TITLE: SMP PLUG, PCB EDGEMOUNT 50 OHMS LIMITED DETENT SMP-P/PCB molex		MATERIAL NO. SEE TABLE																
			SIZE	DOCUMENT NO. SD-73415-359 SHEET NO. 2 OF 3		THIS DRAWING CONTAINS INFORMATION THAT IS PROPRIETARY TO MOLEX INCORPORATED AND SHOULD NOT BE USED WITHOUT WRITTEN PERMISSION																	

13 12 11 10 9 8 7 6 5 4 3 2 1

J
I
H
G
F
E
D
C
B
A

J
I
H
G
F
E
D
C
B
A



CHG:SEE SHEET 1 EC NO: URF2014-0195 DRAWN BY: DRWNR/REH CHKD: APPR: MHIANG 2012/09/27	QUALITY SYMBOLS $\nabla = 0$ $\nabla = 0$ $\nabla = 0$	GENERAL TOLERANCES (UNLESS SPECIFIED) <table border="1"> <tr> <th></th> <th>mm</th> <th>INCH</th> </tr> <tr> <td>4 PLACES</td> <td>± .005</td> <td>± .0002</td> </tr> <tr> <td>3 PLACES</td> <td>± .005</td> <td>± .0002</td> </tr> <tr> <td>2 PLACES</td> <td>± .005</td> <td>± .0002</td> </tr> <tr> <td>1 PLACE</td> <td>± .005</td> <td>± .0002</td> </tr> <tr> <td>0 PLACE</td> <td>± .005</td> <td>± .0002</td> </tr> </table>		mm	INCH	4 PLACES	± .005	± .0002	3 PLACES	± .005	± .0002	2 PLACES	± .005	± .0002	1 PLACE	± .005	± .0002	0 PLACE	± .005	± .0002	DIMENSION STYLE MM/IN DRAWN BY: SSS DATE: 2007/07/18 CHECKED BY: TEL DATE: 2007/07/18 APPROVED BY: GMH DATE: 2007/07/18	SCALE 1:2 DESIGN UNITS METRIC THIRD ANGLE PROJECTION	TITLE SMP PLUG, PCB EDGEMOUNT 50 OHMS LIMITED DETENT SMP-P/PCB molex	MATERIAL NO. SEE TABLE DOCUMENT NO. SD-73415-359 SHEET NO. 3 OF 3
		mm	INCH																					
	4 PLACES	± .005	± .0002																					
	3 PLACES	± .005	± .0002																					
2 PLACES	± .005	± .0002																						
1 PLACE	± .005	± .0002																						
0 PLACE	± .005	± .0002																						
DESCRIPTION A8	ANGULAR ± 2 ° DRAFT WHERE APPLICABLE MUST REMAIN WITHIN DIMENSIONS	SIZE C	THIS DRAWING CONTAINS INFORMATION THAT IS PROPRIETARY TO MOLEX INCORPORATED AND SHOULD NOT BE USED WITHOUT WRITTEN PERMISSION																					

12 11 10 9 8 7 6 5 4 3 2 1

2013/01/07