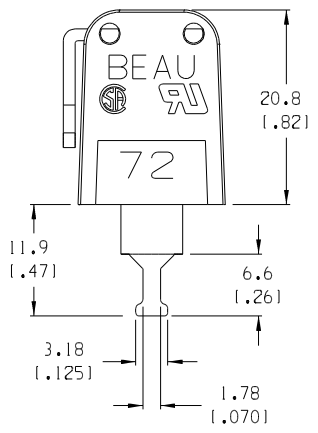
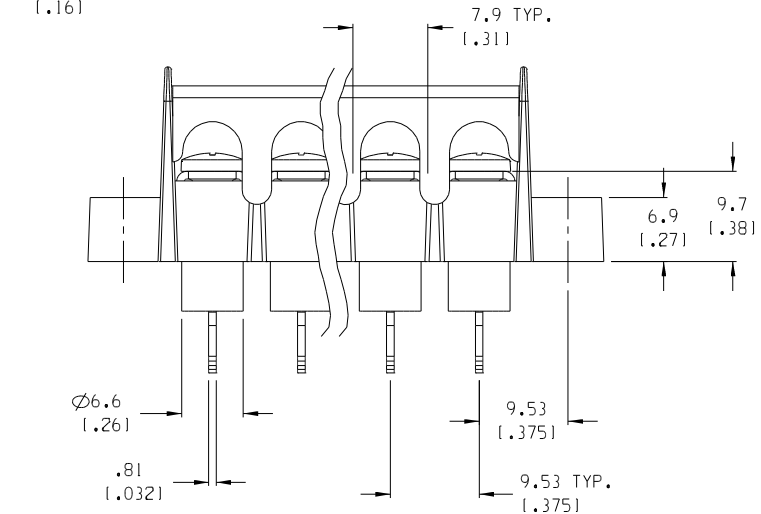


- NOTES:
1. MATERIAL: SEE TABLE
 2. FINISHES: SEE TABLE
 3. PRODUCT SPECIFICATION: NOT REQUIRED
 4. PACKAGING: NOT REQUIRED
 5. MATES WITH: NONE
 6. "XX" REFERS TO THE QUANTITY OF CIRCUIT POSITIONS.



| QTY. OF CIRC. "XX" | DIM. "A" | DIM. "B" | DIM. "C" | DIM. "D" | ASSEMBLY MATERIAL # |
|--------------------|--------------|--------------|--------------|--------------|---------------------|
| 02 | 36.2 [1.43] | 9.5 1.381 | 28.6 [1.13] | 21.1 1.831 | 38729-0353 |
| 03 | 45.7 [1.80] | 19.1 1.751 | 38.1 [1.50] | 30.7 11.211 | 38729-1434 |
| 04 | 55.2 [2.18] | 28.6 11.131 | 47.6 [1.88] | 40.2 11.581 | 38729-1068 |
| 05 | 64.8 [2.55] | 38.1 11.501 | 57.2 [2.25] | 49.7 11.961 | 38729-1279 |
| 06 | 74.3 [2.93] | 47.6 11.881 | 66.7 [2.63] | 59.2 12.331 | 38729-1014 |
| 07 | 83.8 [3.30] | 57.2 12.251 | 76.2 [3.00] | 68.8 12.711 | 38729-0427 |
| 08 | 93.3 [3.68] | 66.7 12.631 | 85.7 [3.38] | 78.3 13.081 | - |
| 09 | 102.9 [4.05] | 76.2 13.001 | 95.3 [3.75] | 87.8 13.461 | - |
| 10 | 112.4 [4.43] | 85.7 13.381 | 104.8 [4.13] | 97.3 13.831 | - |
| 11 | 121.9 [4.80] | 95.3 13.751 | 114.3 [4.50] | 106.9 14.211 | - |
| 12 | 131.4 [5.18] | 104.8 14.131 | 123.8 [4.88] | 116.4 14.581 | - |
| 13 | 141.0 [5.55] | 114.3 14.501 | 133.4 [5.25] | 125.9 14.961 | - |
| 14 | 150.5 [5.93] | 123.8 14.881 | 142.9 [5.63] | 135.4 15.331 | - |
| 15 | 160.0 [6.30] | 133.4 15.251 | 152.4 [6.00] | 145.0 15.711 | - |
| 16 | 169.5 [6.68] | 142.9 15.631 | 161.9 [6.38] | 154.5 16.081 | - |

| ITEM | QTY. | DESCRIPTION | MATERIAL | FINISH |
|------|------|-----------------------------------|---------------|--------------------|
| 4 | XX | #6-32 PHIL-SLOT SCREW | STEEL | ZN, CLEAR CHROMATE |
| 3 | XX | TERMINAL, SOLDER TAIL | BRASS | TIN PLATE |
| 2 | 1 | COVER, HINGED | THERMOPLASTIC | BLACK |
| 1 | 1 | INSULATOR, CS, INSL., MOLDED MTG. | THERMOPLASTIC | BLACK |

| | | | | | |
|--------------------------------|--|--|--|--|----------------------------|
| EC NO. DRWNG: CH-K1 APPR: A | QUALITY SYMBOLS MAJOR CRITICAL SPC S | GENERAL TOLERANCES: (UNLESS SPECIFIED) mm INCH | | SCALE: 2:1 DESIGN UNITS: <input type="checkbox"/> mm <input checked="" type="checkbox"/> INCH | THIRD ANGLE PROJECTION |
| | | 4 PLACES ±.0015 3 PLACES ±.005 | DRAWN BY & DATE C. YORK 09-30-04 | TITLE: SR BTS, CS INSL, MOLDED MTG. ENDS W/ HINGED COVER | |
| | | 2 PLACES ±.13 1 PLACE ±.3 | CHECKED BY & DATE APPROVED BY & DATE | MOLEX INCORPORATED | |
| | | ANGULAR: ±2° DRAFT WHERE APPLICABLE MUST REMAIN WITHIN DIMENSIONS | CAD FILENAME: 72R2XX-H THIS DRAWING CONTAINS INFORMATION THAT IS PROPRIETARY TO MOLEX INCORPORATED AND SHOULD NOT BE USED WITHOUT WRITTEN PERMISSION. | MATERIAL NO. SEE CHART DRAWING NO. SD-38729-033 | SHEET NO. 1 OF 1 SIZE B |

| | | |
|---------------|--|-------------------------------|
| PROJECT NO. - | - | - |
| DIMENSIONS: | <input checked="" type="checkbox"/> mm | <input type="checkbox"/> INCH |
| | <input type="checkbox"/> mm | <input type="checkbox"/> ONLY |
| | SHT | REV |
| | REVISE ON CAD ONLY | |