



## Main

|                               |   |
|-------------------------------|---|
| Range of Product              | Telemecanique Photoelectric sensors XU                |
| Series name                   | General purpose single mode                           |
| Electronic sensor type        | Photo-electric sensor                                 |
| Sensor name                   | XUK   |
| Sensor design                 | Compact 50 x 50                                       |
| Detection system              | Polarised reflex                                      |
| Material                      | Plastic   |
| Type of output signal         | Discrete  |
| Supply circuit type           | DC  |
| Wiring Technique              | 3-wire  |
| Discrete output type          | PNP   |
| Discrete output function      | 1 NC  |
| Electrical connection         | 1 male connector M12, 4 pins                          |
| Product Specific Application  | -   |
| Emission                      | Red polarised reflex                                  |
| [Sn] nominal sensing distance | 19.69 ft (6 m) polarised reflex need reflector XUZC50 |

## Complementary

|                           |  |
|---------------------------|--|
| Enclosure Material        | PBT  |
| Lens material             | PMMA   |
| Maximum sensing distance  | 26.25 ft (8 m) polarised reflex                  |
| Output Type               | Solid state                                      |
| Wire insulation material  | PVC  |
| Status LED                | 1 LED yellow)output state                        |
| [Us] rated supply voltage | 12...24 V DC reverse polarity protection         |
| Supply voltage limits     | 10...36 V  |
| Switching capacity in mA  | <= 100 mA overload and short-circuit protection) |
| Switching frequency       | <= 250 Hz  |
| Maximum voltage drop      | <1.5 V closed state)                             |
| Current consumption       | <= 35 mA no-load                                 |
| Maximum delay first up    | 15 ms  |
| Maximum delay response    | 2 ms   |
| Maximum delay recovery    | 2 ms   |
| Setting-up                | Without sensitivity adjustment                   |
| Depth                     | 1.97 in (50 mm)                                  |
| Height                    | 1.97 in (50 mm)                                  |
| Width                     | 0.71 in (18 mm)                                  |
| Net Weight                | 0.42 lb(US) (0.19 kg)                            |

## Environment

|                                       |  |
|---------------------------------------|--|
| Product Certifications                | UL<br>CSA<br>CE                          |
| Ambient air temperature for operation | -13...131 °F (-25...55 °C)               |
| Ambient Air Temperature for Storage   | -40...158 °F (-40...70 °C)               |
| Vibration resistance                  | 7 gn +/- 1.5 mm 10...55 Hz IEC 60068-2-6 |
| Shock resistance                      | 30 gn 11 ms) IEC 60068-2-27              |
| IP degree of protection               | IP65 double insulation IEC 60529         |

## Ordering and shipping details

|                       |   |
|-----------------------|---|
| Category              | 21571 - SENSORS, ELECTRONIC BASIC XU & XS |
| Discount Schedule     | DS2                                       |
| GTIN                  | 3389110164374                             |
| Nbr. of units in pkg. | 1   |
| Package weight(Lbs)   | 2.05 oz (58 g)                            |
| Returnability         | No  |
| Country of origin     | ID  |

## Packing Units

|                              |                        |
|------------------------------|------------------------|
| Unit Type of Package 1       | PCE                    |
| Package 1 Height             | 1.65 in (4.2 cm)       |
| Package 1 width              | 3.82 in (9.7 cm)       |
| Package 1 Length             | 2.60 in (6.6 cm)       |
| Unit Type of Package 2       | S02                    |
| Number of Units in Package 2 | 44                     |
| Package 2 Weight             | 7.09 lb(US) (3.216 kg) |
| Package 2 Height             | 5.91 in (15 cm)        |
| Package 2 width              | 11.81 in (30 cm)       |
| Package 2 Length             | 15.75 in (40 cm)       |

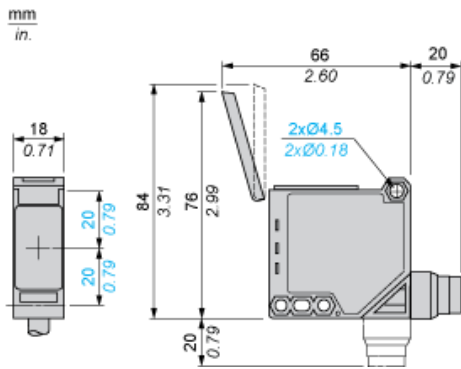
## Offer Sustainability

|                            |   |
|----------------------------|---|
| Sustainable offer status   | Green Premium product   |
| California proposition 65  | WARNING: This product can expose you to chemicals including: Diisononyl phthalate (DINP), which is known to the State of California to cause cancer, and Di-isodecyl phthalate (DIDP), which is known to the State of California to cause birth defects or other reproductive harm. For more information go to <a href="http://www.P65Warnings.ca.gov">www.P65Warnings.ca.gov</a> |
| REACH Regulation           | <a href="#">REACH Declaration</a>   |
| EU RoHS Directive          | Pro-active compliance (Product out of EU RoHS legal scope) <a href="#">EU RoHS Declaration</a>  |
| Mercury free               | Yes   |
| RoHS exemption information | <a href="#">Yes</a>   |
| Environmental Disclosure   | <a href="#">Product Environmental Profile</a>   |
| Circularity Profile        | <a href="#">End Of Life Information</a>   |

## Contractual warranty

|          |           |
|----------|-----------|
| Warranty | 18 months |
|----------|-----------|

Dimensions

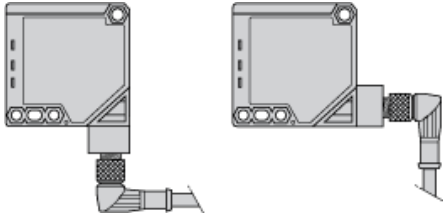


---

## Mounting and Clearance

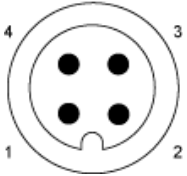
---

### Possible Orientation of Elbowed Connector



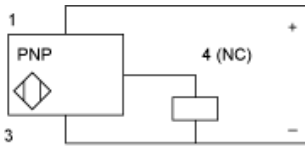
## Wiring Schemes

### M12 Connector



- 1: (+)
- 3: (-)
- 4: OUT/Output

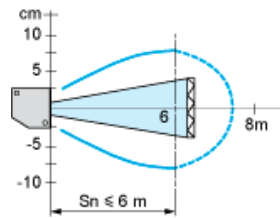
### PNP Outputs



---

Detection Curves

---



With reflector XUZC50