

QPI-12-CB1-EVAL

QPI-12LZ Filter Carrier Board for 48V VI Chip® EMI Evaluation



Contents	Page
Introduction	1
Bill of Materials	2
Board Assembly	3
EMI Bypass Configurations	4
EMI Performance and Test Set Up	4
Ordering Information	7

Introduction

The QPI-12-CB1 carrier board is an evaluation board platform designed to demonstrate the EMI capabilities of a QPI-12LZ filter, with any combination of 48V input PRM™ / VTM™ or BCM® evaluation boards. The QPI-12-CB1 board includes a pre-mounted filter along with some additional components necessary to demonstrate the full functionality of the filter, along with mounting areas for VI Chip evaluation boards. This user guide provides basic instructions for assembly and use of the board. Further information on the functionality of the VI Chip boards, as well as the QPI-12LZ can be found in the VI Chip Evaluation Board user guide as well as the VI Chip and QPI-12LZ data sheets.

QPI-12LZ Product Description

The QPI-12LZ EMI filter is specifically designed to attenuate conducted common-mode (CM) and differential-mode (DM) noise of Vicor VI Chip products to comply with the CISPR22 standard requirements for conducted noise measurements. The filter is designed to operate up to 80V_{DC} continuous, with a 100V_{DC} surge for 100ms, and supports 7A loads up to 60°C without derating.

Designed for the telecom bus range, the VI Chip EMI Filter supports the PICMG® 3.0 specification for filtering system boards to the EN55022 Class B limits.

Figure 1
QPI-12-CB1 carrier board featuring the QPI-12LZ EMI filter

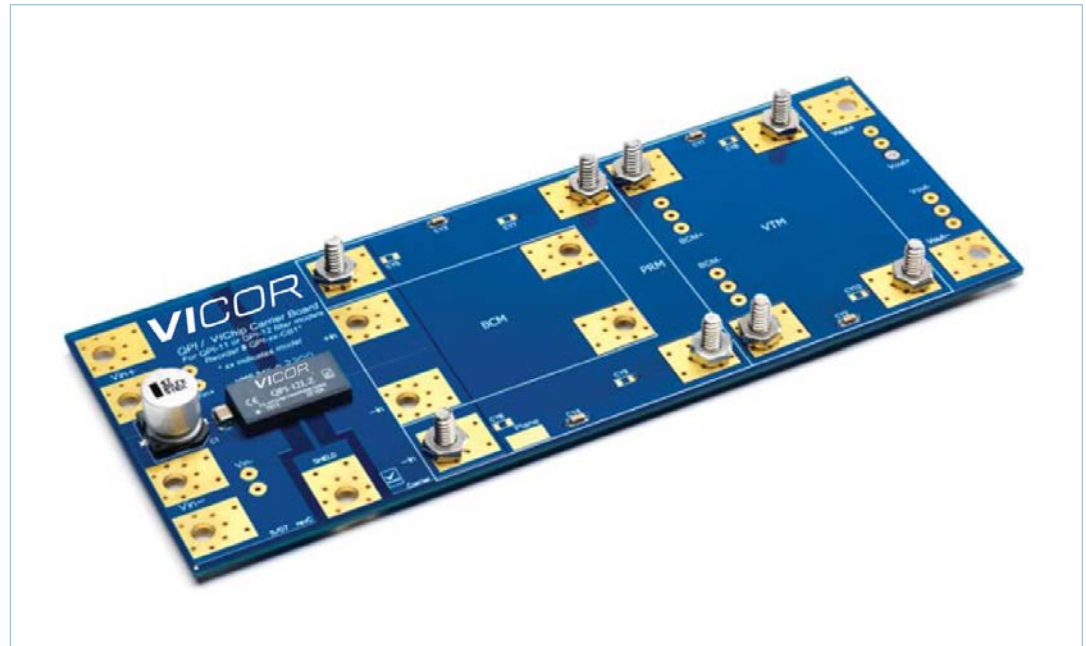
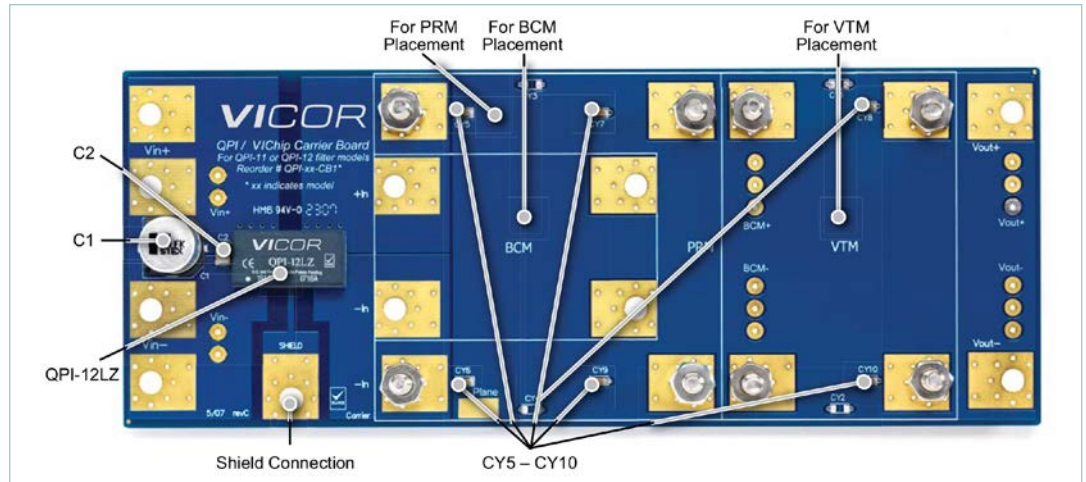


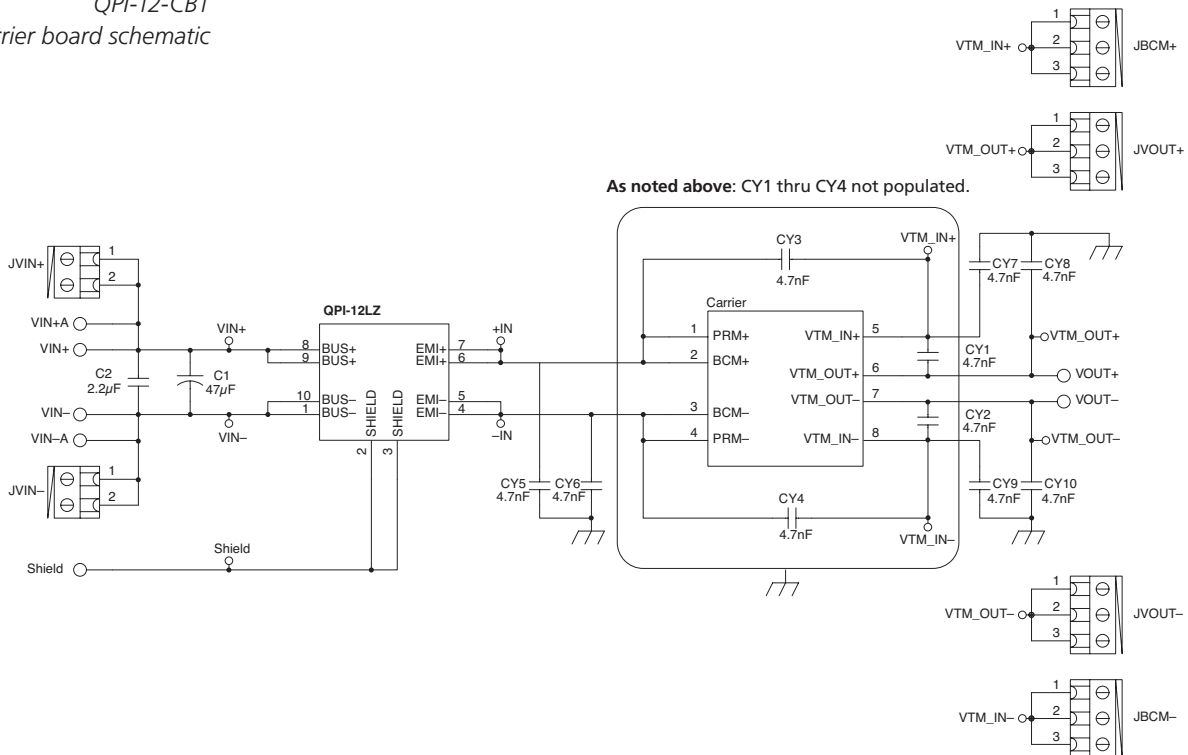
Figure 2
QPI-12-CB1 board overview



Bill of Materials

Reference Designator	Description
QPI	QPI-12LZ SiP
C1	Capacitor, electrolytic, 47 μ F, 100V
C2	Capacitor, ceramic, 2.2 μ F, 100V
CY5 – CY10	Capacitor, X7R ceramic, 4.7nF, 1,000V
Hardware	Machine screw, pan head, 0.373in, 1/2in long, #10-24 thread
Hardware	Machine nut, hex, 3/8in, #10-24 thread
CY1 – CY4	Optional Y-Cap configuration (not populated)

Figure 3
QPI-12-CB1
carrier board schematic



Board Assembly

The VI Chip® evaluation boards should be attached to the carrier board using the hardware provided. Begin by removing the top nuts from the bolts in the space provided for mounting the evaluation board. Check to see that the lower bolts are tightened. Remove rubber spacers from the VI Chip evaluation board(s). Place the VI Chip evaluation board on the bolts. Make sure that the evaluation board is placed in the proper input to output orientation with respect to the carrier board (the input side will have the capacitor). Replace the top nuts and tighten gently with a wrench. Attach input and output leads, be careful to confirm proper polarity before powering up.

When using the carrier board, pay special attention to the wiring and grounding. Wires should be kept as short as possible and positioned to minimize radiated noise pick up on the QPI-12LZ.

Figure 4
Side-view hardware assembly

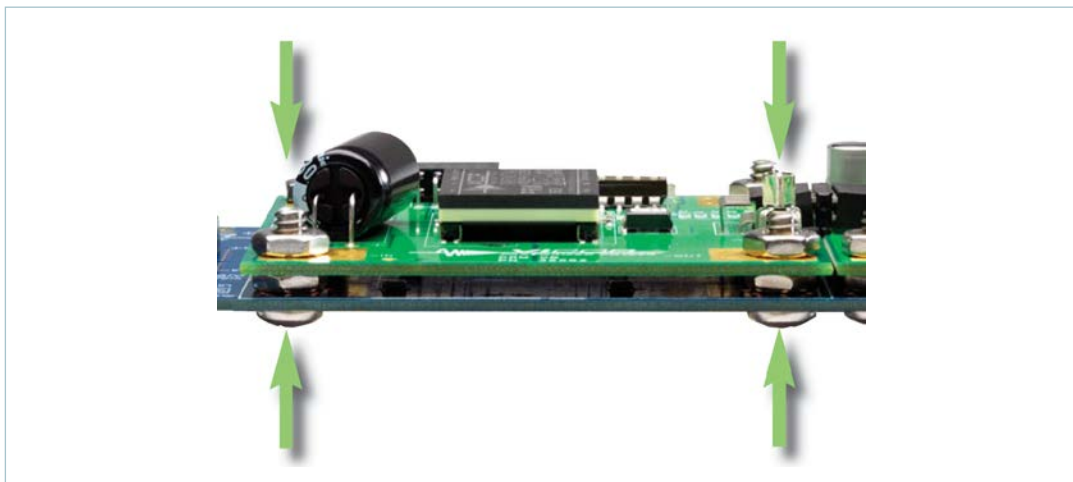


Figure 5
QPI-12-CB1 carrier board
assembled with PRM™ and
VTM™ evaluation boards

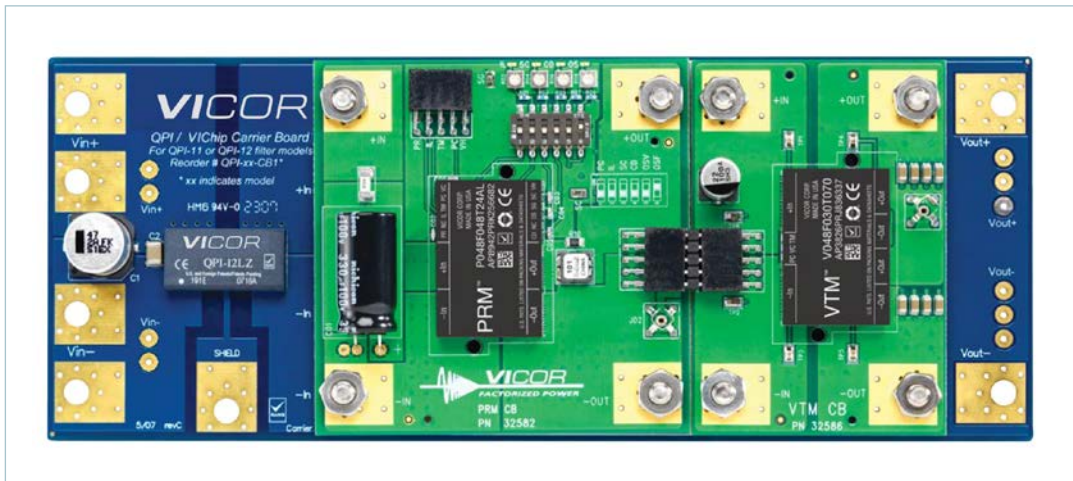
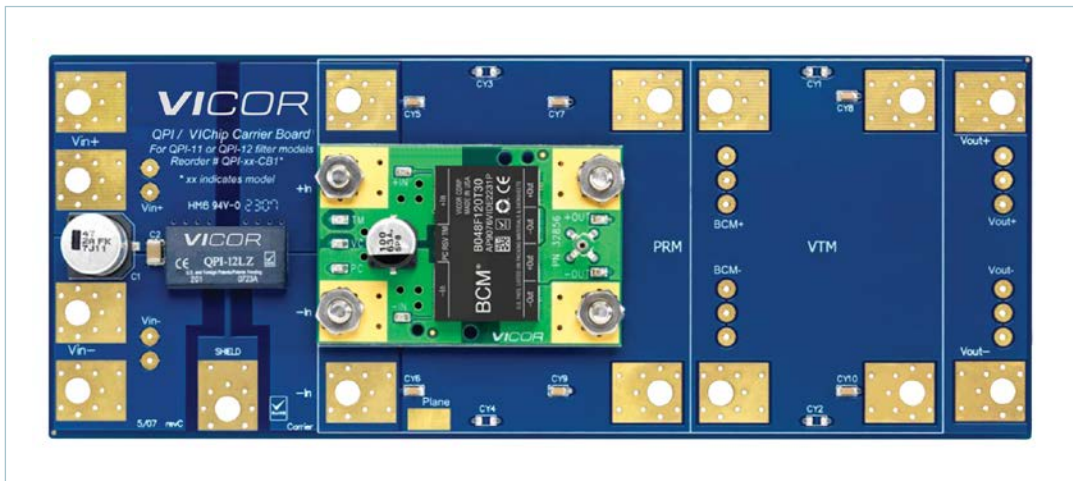


Figure 6
QPI-12-CB1 carrier board
assembled with a BCM®
evaluation board



EMI Bypass Configurations

EMI bypass capacitors (“Y” capacitors) are an essential element in a switch-mode DC-DC filter application as these capacitors provide a return path for common-mode noise currents to their source; so careful attention to bypass capacitor implementation is essential for a successful EMI filter design. This carrier board is preconfigured in a “baseplate” EMI topology, which uses six “Y” capacitors (only four are actually used in a BCM® configuration), as illustrated in Figure 7 below. This is the preferred topology for VI Chip® applications. The carrier board can be manually reconfigured to an “open frame” topology, which uses four “Y” caps in a PRM™ / VTM™ combination (two for a BCM), as shown in Figure 8. The open-frame approach may attenuate certain load dependent noise better than the baseplate method. The carrier board provides an ideal test vehicle for making a comparison between the two “Y” capacitor configurations. To reconfigure to “open frame” carefully remove capacitors CY5 through CY10 and place four of those six capacitors in the positions marked as CY1 through CY4.

EMI Performance and Test Set Up

The EMI plots in Figures 9 through 14 are the total noise measurements, on both the positive and negative lines of the QPI-12LZ with various VI Chip® configurations, using the basic baseplate standard “Y” cap configuration. Figure 7 shows the basic EMI measurement set up that was used to achieve these results. Figure 8 shows the alternate set up method when converting to the open-frame approach.

In Figure 7 (baseplate method), capacitors CY5 through CY10 represent the recirculation capacitors that are connected to each of the four input and output terminals, then are commoned to a shield plane that has been created underneath the converter. Since the PRM / VTM pair is similar to a conventional converter, which is split into to halves, two additional “Y” caps (CY7 and CY9) were added to the PRM’s output (the input to the VTM), referenced to the shield plane.

In Figure 8 (open-frame method), four “Y” capacitors are used (CY1 through CY4) rather than the two “Y” caps that a conventional converter would require, once again because of the topology split created by the pair.

In a BCM application there is no topology split so the set up would require two fewer capacitors for either configuration. The open-frame method would only need one pair of input an output caps, referenced to the shield plane on either side of the BCM. And for open-frame method a pair of “Y” caps across the positive input to positive output, and negative input and negative output would be sufficient.

Figure 7
Basic EMI measurement set up
for “baseplate” configuration

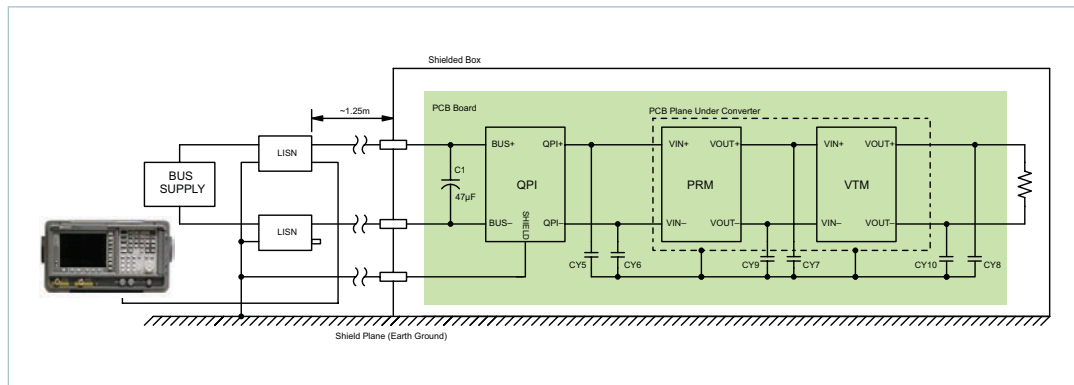


Figure 8
Basic EMI measurement set up
for “open-frame” configuration

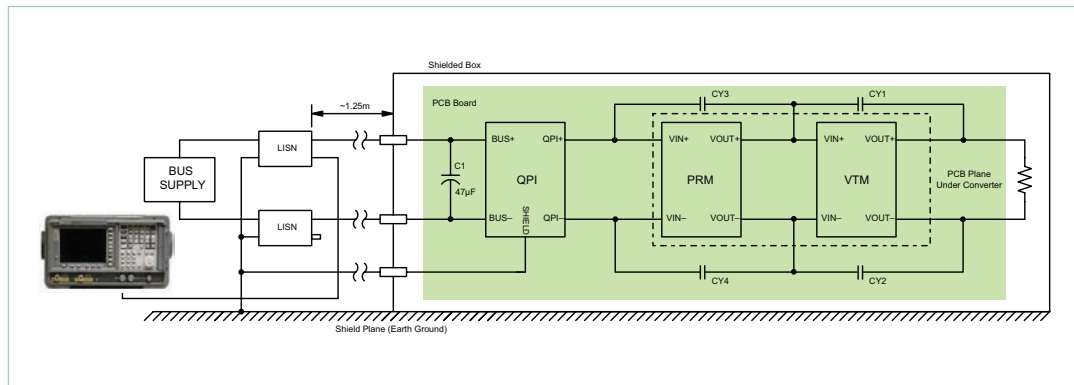


Figure 9

Total noise QPI-12LZ^[a] with
48V input PRM™ and
3V output VTM™;
3.27A input current;
160W output load

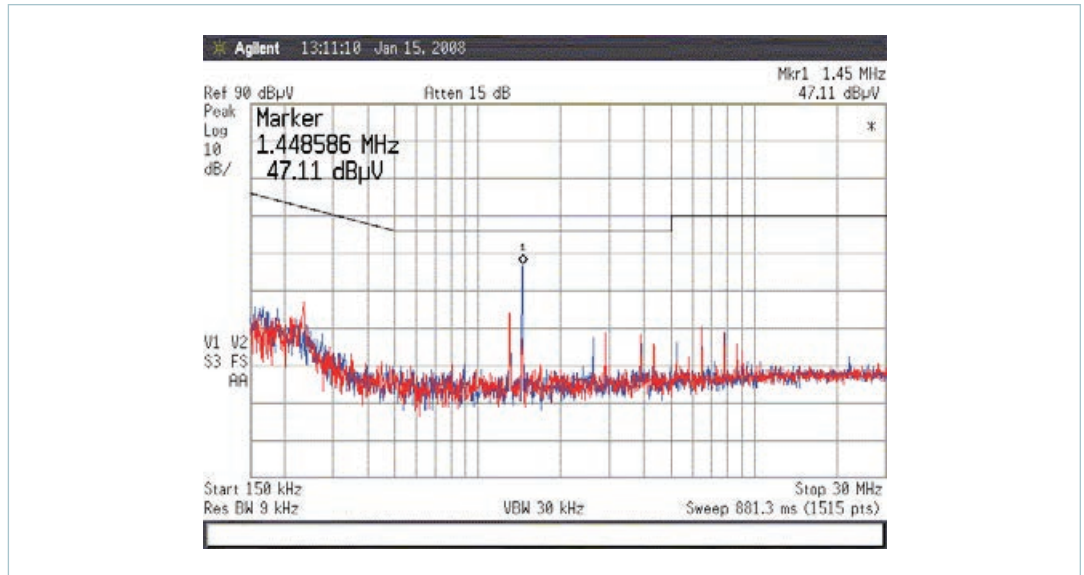


Figure 10

Total noise QPI-12LZ^[a] with
48V input PRM and
12V output VTM;
4.03A input current;
180W output load

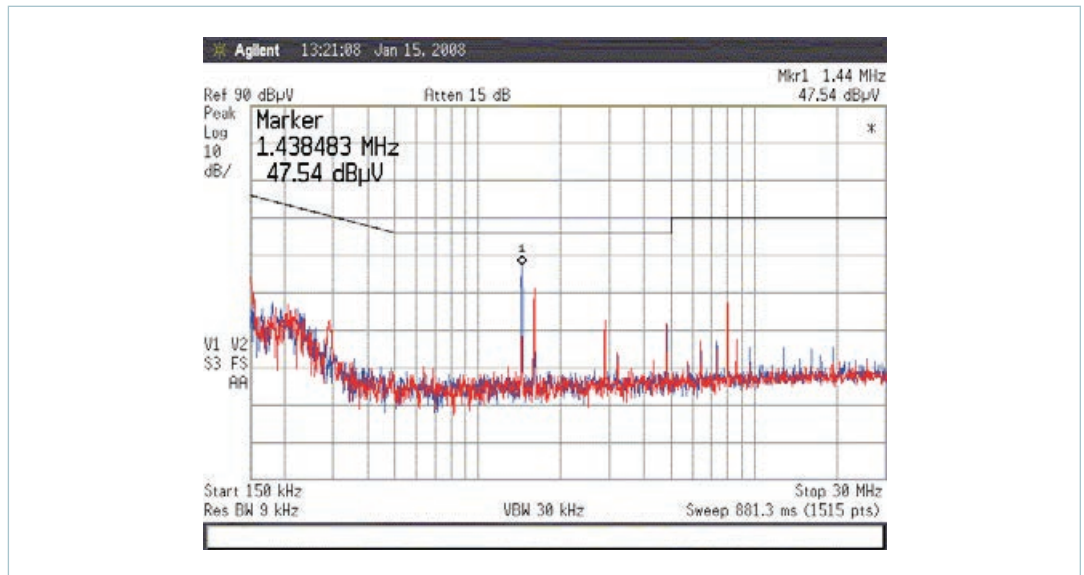
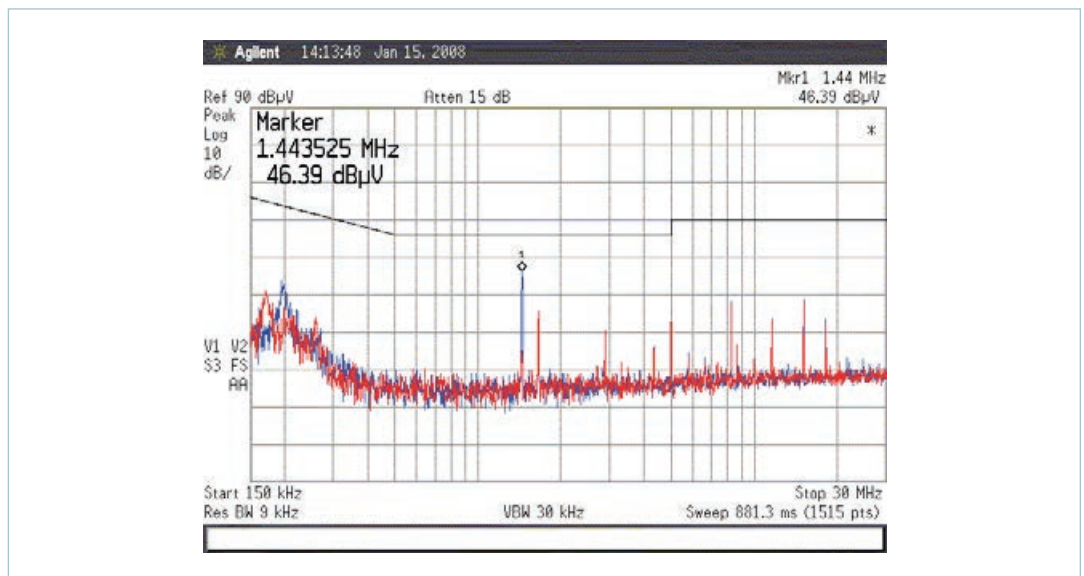


Figure 11

Total noise QPI-12LZ^[a] with
48V input PRM and
48V output VTM;
3.45A input current;
160W output load



^[a] These EMI plots are actually based on QPI-10LZ, which includes the same filter elements but includes integrated hot swap.

Figure 12
 Total noise QPI-12LZ^[a] with
 48V input, 3V output BCM®;
 3.18A input current;
 160W output load

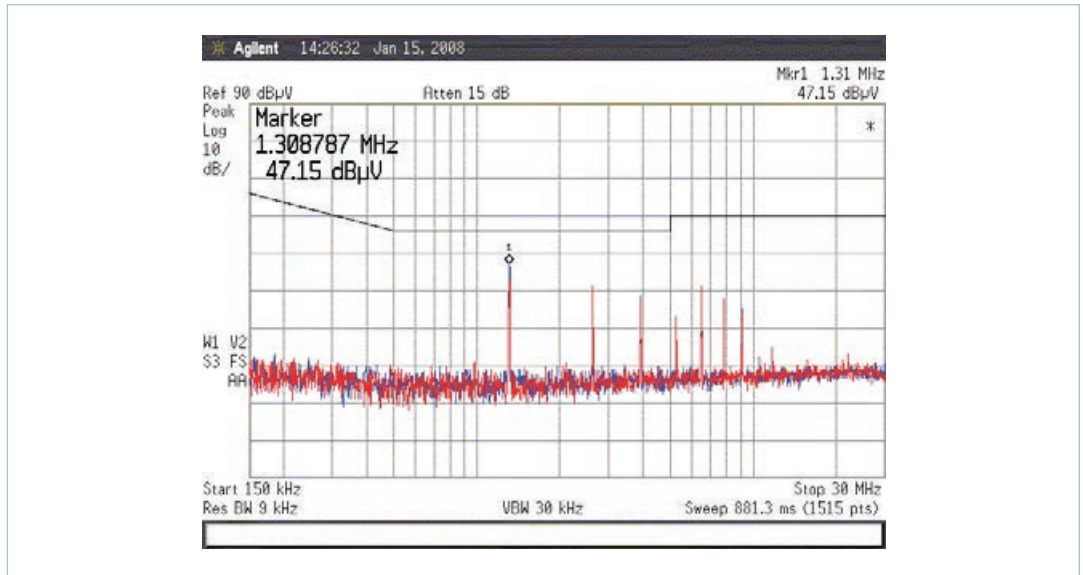


Figure 13
 Total noise QPI-12LZ^[a] with
 48V input, 12V output BCM;
 3.75A input current;
 180W output load

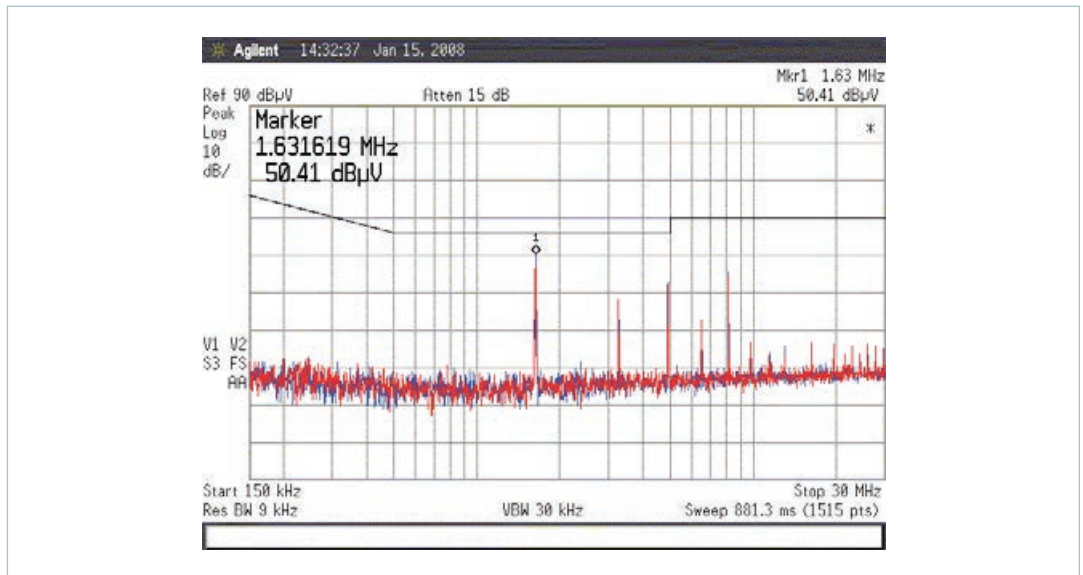
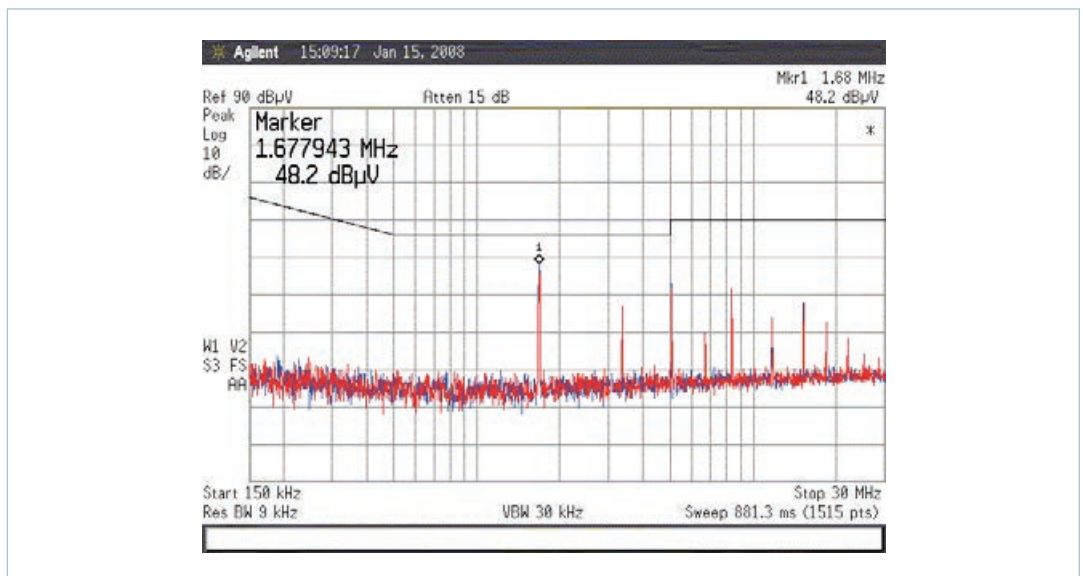
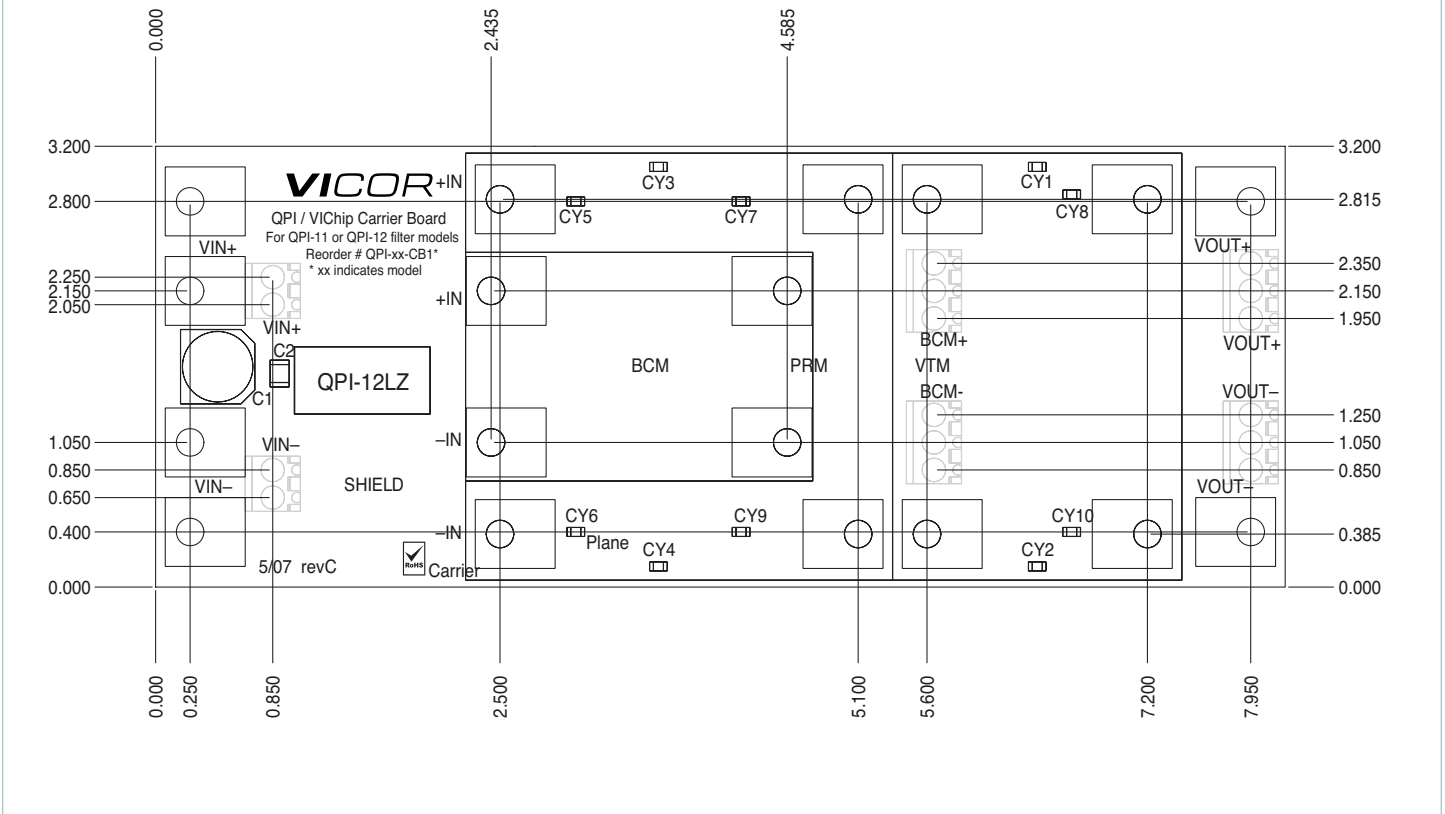


Figure 14
 Total noise QPI-12LZ^[a] with
 48V input, 48V output BCM;
 3.20A input current;
 153W output load



^[a] These EMI plots are actually based on QPI-10LZ, which includes the same filter elements but includes integrated hot swap.

Figure 15
Mechanical drawing
for QPI-12-CB1



Ordering Information

Carrier Board Part Number	Compatible VI Chip® Evaluation Boards (sold separately) ^[b]
QPI-12-CB1	PRMs™: P048F048T12AL-CB P048F048T24AL-CB P048F048T17AL-CB P048F048T32AL-CB
	VTMs™: All 48V input models
	BCMs®: All 48V input models

^[b] Some VI Chip products exceed the current rating and therefore may not be compatible when operating at full load.

Additional Resources

- QPI-12LZ [Data Sheet](#)
- Compatible VI Chip® Converters
 - [PRM and VTM](#)
 - [BCM](#)

Limitation of Warranties

Information in this document is believed to be accurate and reliable. HOWEVER, THIS INFORMATION IS PROVIDED "AS IS" AND WITHOUT ANY WARRANTIES, EXPRESSED OR IMPLIED, AS TO THE ACCURACY OR COMPLETENESS OF SUCH INFORMATION. VICOR SHALL HAVE NO LIABILITY FOR THE CONSEQUENCES OF USE OF SUCH INFORMATION. IN NO EVENT SHALL VICOR BE LIABLE FOR ANY INDIRECT, INCIDENTAL, PUNITIVE, SPECIAL OR CONSEQUENTIAL DAMAGES (INCLUDING, WITHOUT LIMITATION, LOST PROFITS OR SAVINGS, BUSINESS INTERRUPTION, COSTS RELATED TO THE REMOVAL OR REPLACEMENT OF ANY PRODUCTS OR REWORK CHARGES).

Vicor reserves the right to make changes to information published in this document, at any time and without notice. You should verify that this document and information is current. This document supersedes and replaces all prior versions of this publication.

All guidance and content herein are for illustrative purposes only. Vicor makes no representation or warranty that the products and/or services described herein will be suitable for the specified use without further testing or modification. You are responsible for the design and operation of your applications and products using Vicor products, and Vicor accepts no liability for any assistance with applications or customer product design. It is your sole responsibility to determine whether the Vicor product is suitable and fit for your applications and products, and to implement adequate design, testing and operating safeguards for your planned application(s) and use(s).

VICOR PRODUCTS ARE NOT DESIGNED, AUTHORIZED OR WARRANTED FOR USE IN LIFE SUPPORT, LIFE-CRITICAL OR SAFETY-CRITICAL SYSTEMS OR EQUIPMENT. VICOR PRODUCTS ARE NOT CERTIFIED TO MEET ISO 13485 FOR USE IN MEDICAL EQUIPMENT NOR ISO/TS16949 FOR USE IN AUTOMOTIVE APPLICATIONS OR OTHER SIMILAR MEDICAL AND AUTOMOTIVE STANDARDS. VICOR DISCLAIMS ANY AND ALL LIABILITY FOR INCLUSION AND/OR USE OF VICOR PRODUCTS IN SUCH EQUIPMENT OR APPLICATIONS AND THEREFORE SUCH INCLUSION AND/OR USE IS AT YOUR OWN RISK.

Terms of Sale

The purchase and sale of Vicor products is subject to the Vicor Corporation Terms and Conditions of Sale which are available at: (<http://www.vicorpower.com/termsconditionswarranty>)

Export Control

This document as well as the item(s) described herein may be subject to export control regulations. Export may require a prior authorization from U.S. export authorities.

Contact Us: <http://www.vicorpower.com/contact-us>

Vicor Corporation
25 Frontage Road
Andover, MA, USA 01810
Tel: 800-735-6200
Fax: 978-475-6715
www.vicorpower.com

email

Customer Service: custserv@vicorpower.com
Technical Support: apps@vicorpower.com