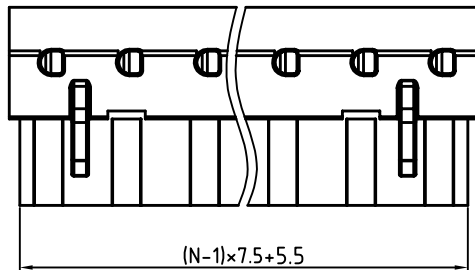
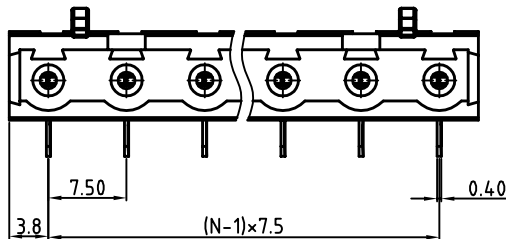


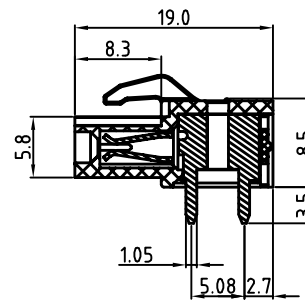
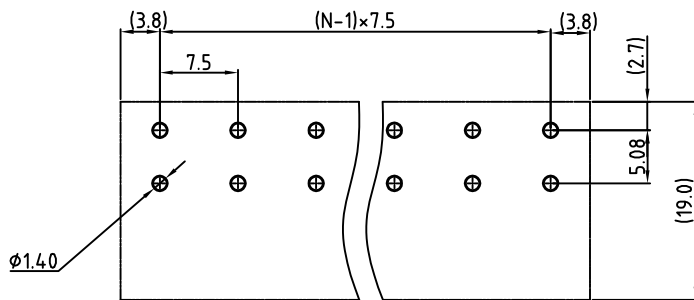
SIGN	DATE	DESCRIPTION	APPROVER
<b>THIS IS CAD DRAWING, DO NOT REVISE MANUALLY!!!</b>			



N=Number of poles



P.C.B LAYOUT



**Material**

- Wire guard: PhBz(CuSn)
- Surface of solder tail: Tin plated
- Insulator (housing): Thermoplastic (UL94V-0) Electrical
- Voltage rating: 300VAC
- Current rating: 10A
- Withstanding Voltage: 1.6kv
- Operating temperature: -30°C to +105°C
- Soldering temperature: 250°C±10°C/5 Sec

RoHS Compliant

PART NUMBER:

**OSTV7XXA151**

↓	↓
No. of Poles	COLOR
02 2 Pole	0: Black
03 3 Pole	5: Green (Standard)
... ..	6: Blue
16 16 Pole	8: Light Grey



THESE DRAWINGS AND SPECIFICATIONS ARE THE PROPERTY OF ON-SHORE TECHNOLOGY, INC. AND SHALL NOT BE REPRODUCED, COPIED OR USED IN ANY MANNER WITHOUT THE PRIOR WRITTEN CONSENT OF ON-SHORE TECHNOLOGY, INC.

TITLE		OSTV7 7.5mm Series 90° Right angle 2p-16p			
PART NO.	OSTV7XXA151	DWG NO.	OSTV7XXA151.DWG		
APPROVED	CHECKED	DESIGNED	DRAWN	CUST NO.	Tolerance
Shi Jun 2006.11.11	Shi Jun 2006.11.11	Tason 2006.08.04	Tason 2006.08.04		X. ±0.5
					X.X ±0.3
				UNIT: mm	X.XX ±0.1
				SCALE: 0.2500	X° ±1°
				SHEET: 01/01	REV: B