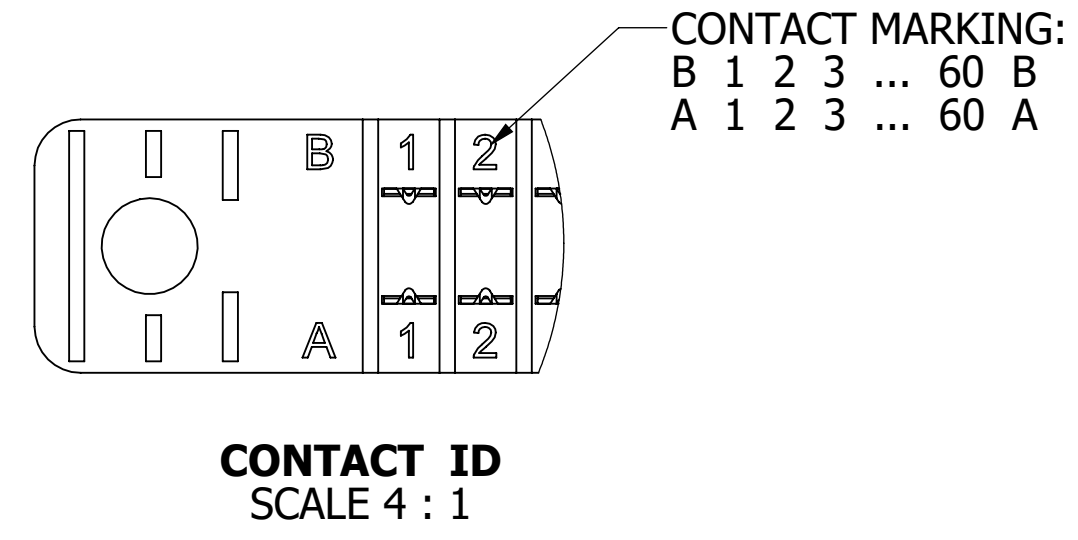
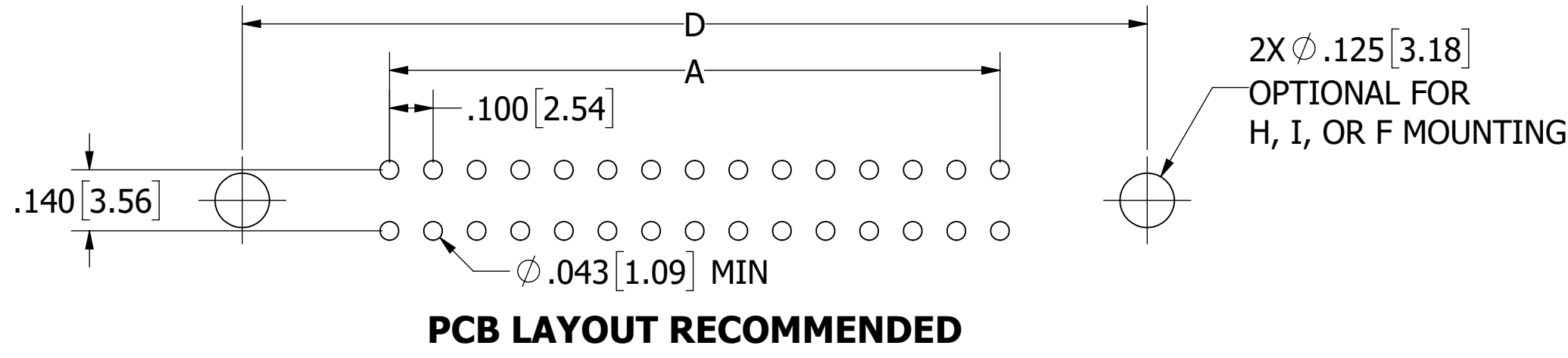
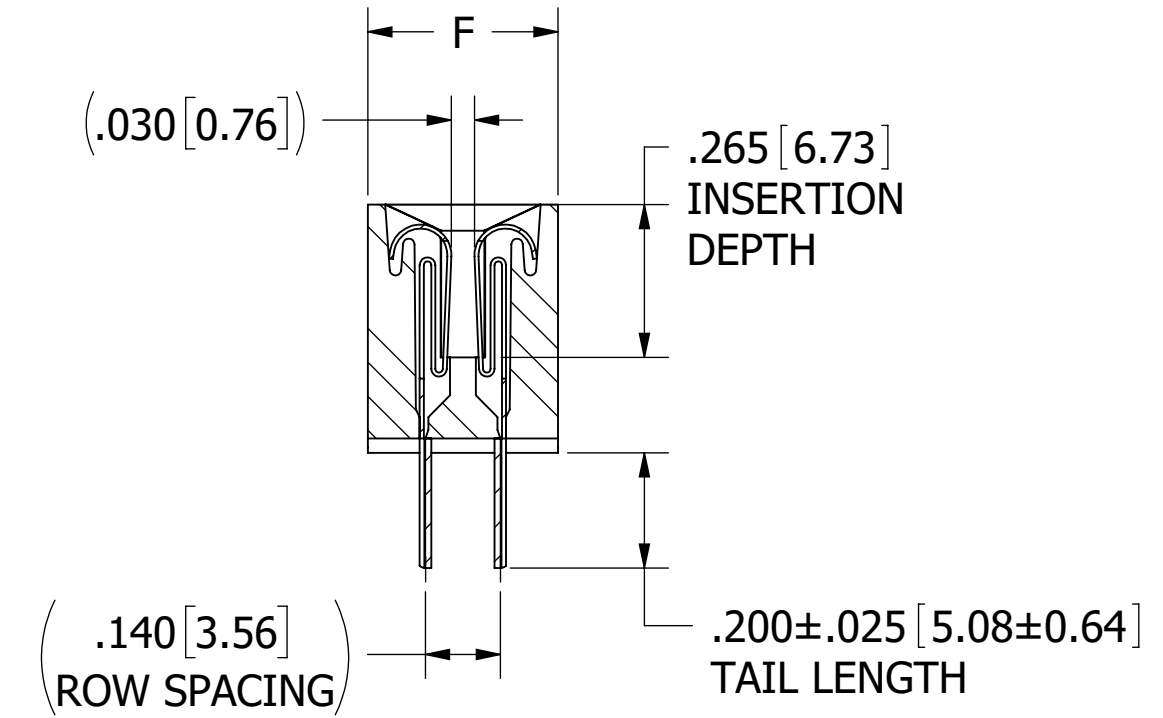
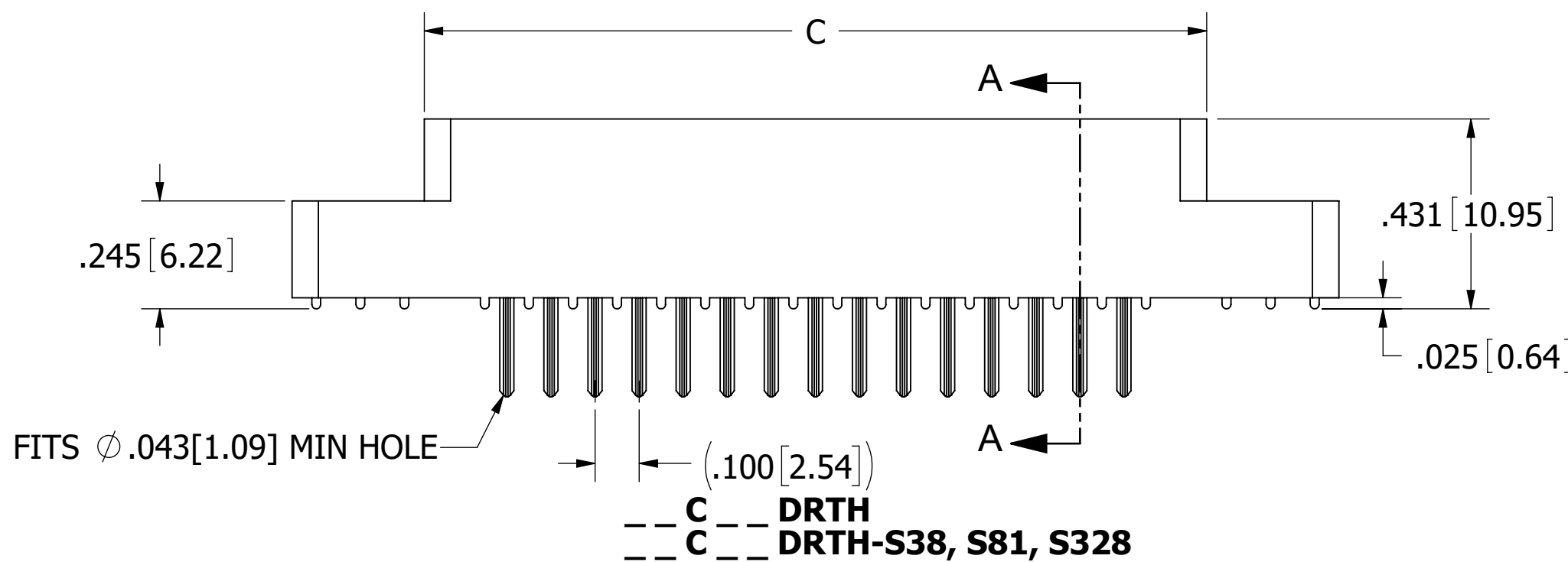
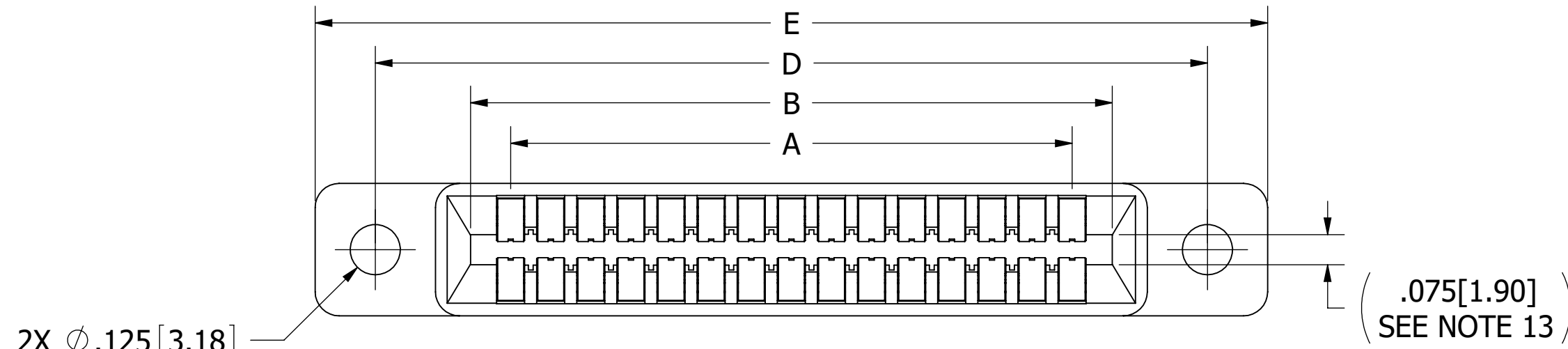


REVISIONS				
REV.	ECO. NO	DESCRIPTION	DATE	BY
J	4408	ADD POSITIONS 02, 03, 14	7/29/2021	PL
K	4550	ADD POSITION 64, X' MATERIAL	8/22/2022	JH

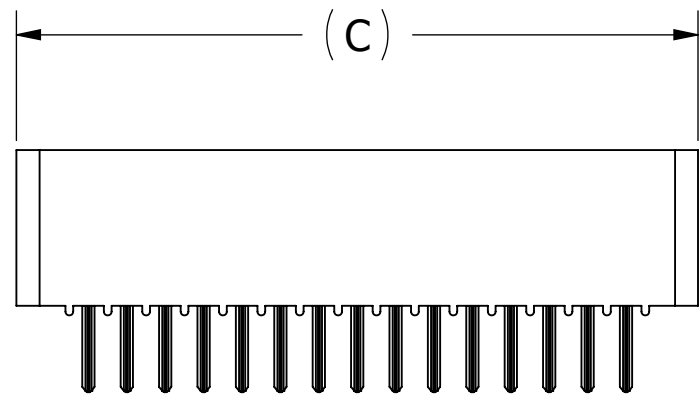
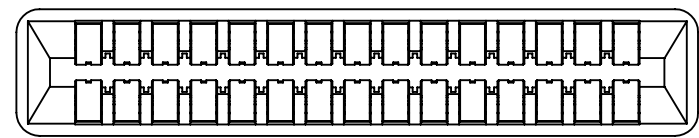


- NOTES:**
- INSULATOR MATERIAL: SEE PART NUMBER CODING
 - CONTACT MATERIAL: SEE PART NUMBER CODING
 - PLATING: SEE PART NUMBER CODING
 - OPERATING TEMPERATURE: SEE PART NUMBER CODING
 - PROCESSING TEMP: SEE PART NUMBER CODING
 - UL FLAMMABILITY RATING: 94V-0
 - OPERATING VOLTAGE: 700 VAC
 - CURRENT RATING: 3 AMP
 - CONTACT RESISTANCE: 30 MILLI OHMS MAX
 - INSULATION RESISTANCE: 5000 MEGA OHMS
 - DURABILITY: 500 CYCLES MIN
 - CONNECTOR IDENTIFICATION: THE PART SHALL BE MARKED WITH A PART NUMBER AND LOT CODE
 - BOARD THICKNESS ACCOMMODATED: .062 ± .008 [1.57 ± 0.20]
 - INSERTION FORCE: 16 OZ MAX PER CONTACT PAIR WHEN USING A .062 [1.57] TEST BLADE
INTERNAL INSPECTION TO BE PER SULLINS WORK INSTRUCTION WI-8.6-03
 - WITHDRAWAL FORCE: 1 OZ MIN PER CONTACT PAIR USING .062 [1.57] TEST BLADE
 - MODIFICATION: SEE PART NUMBER CODING

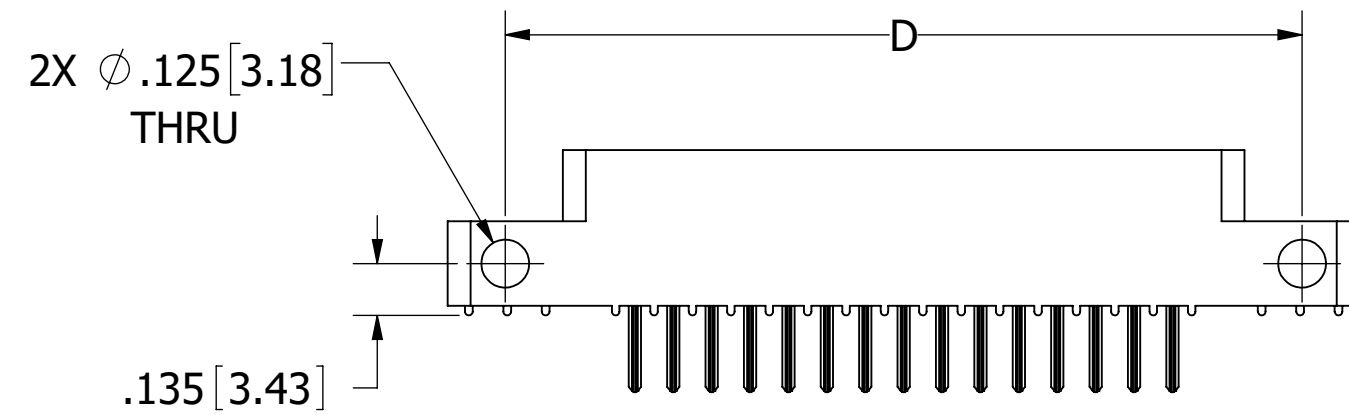
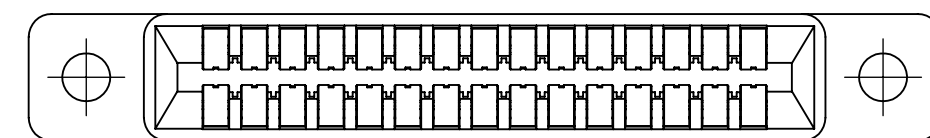


CUSTOMER COPY

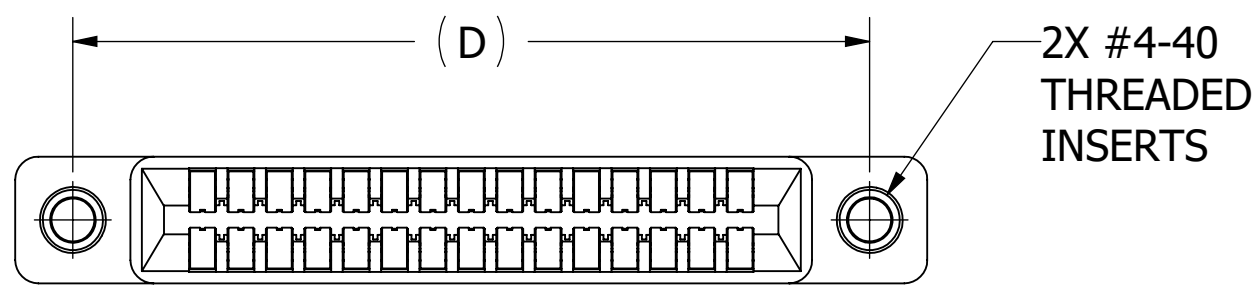
UNLESS OTHERWISE SPECIFIED: DIMENSIONS ARE IN INCHES [MM]		DRAWN	DATE	NAME	
TOLERANCES: ANGULAR: ± 1° DECIMALS .XX = ± .02 [.5] .XXX = ± .005 [1.3] .XXXX = ± .0005 [0.13]			01/25/07	MNH	
<small>THE INFORMATION HEREIN CONTAINS PROPRIETARY INFORMATION OF SULLINS ELECTRONICS AND IS NOT TO BE REPRODUCED, USED OR DISCLOSED TO OTHERS FOR ANY PURPOSE EXCEPT AS SPECIFICALLY AUTHORIZED IN WRITING BY AN OFFICER OF SULLINS ELECTRONICS.</small>					TITLE
					EDGE CARD, .100 CC LP
					PART NUMBER
					_C_DRT_ (-S38, S81, S328)
SIZE	CAGE CODE	DWG. NO.		REV	
C	54453	C10878		K	
SCALE: 3:1					SHEET 1 OF 3



--- C --- **DRTN**
--- C --- **DRTN-S38, S81, S328**

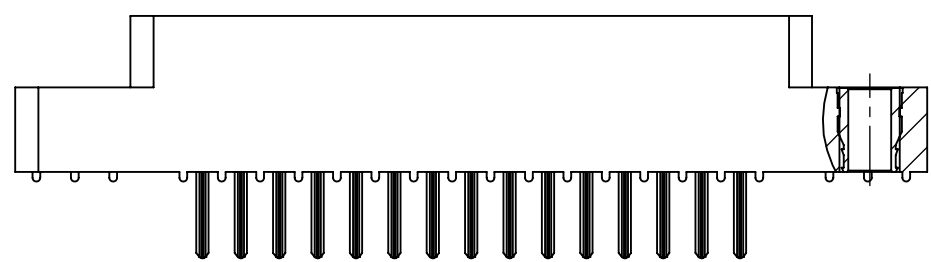


--- C --- **DRTS**
--- C --- **DRTS-S38, S81, S328**

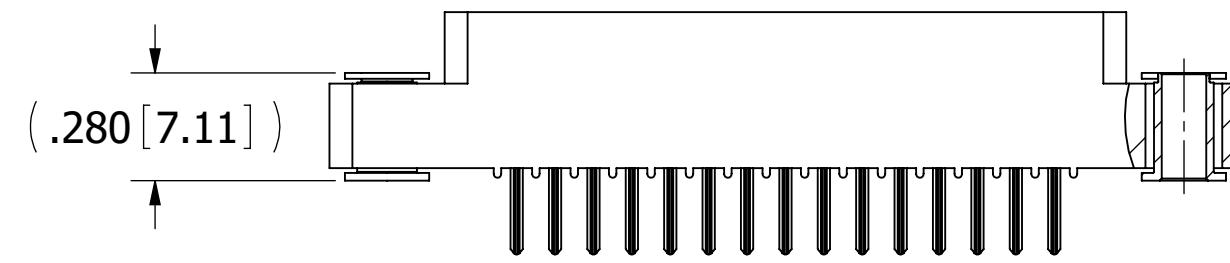
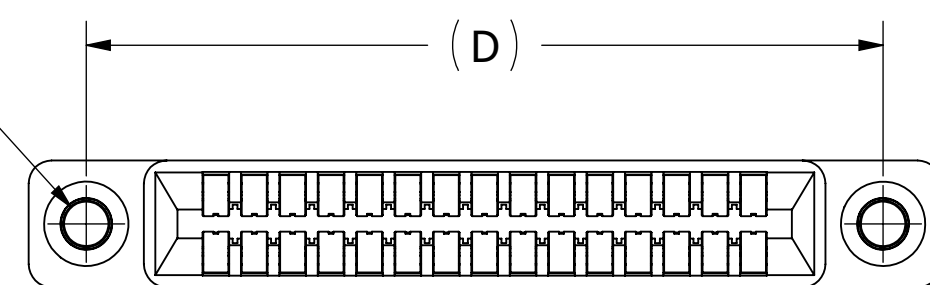


2X #4-40
THREADED
INSERTS

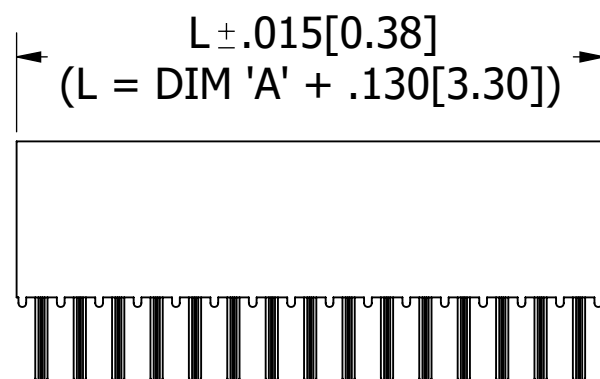
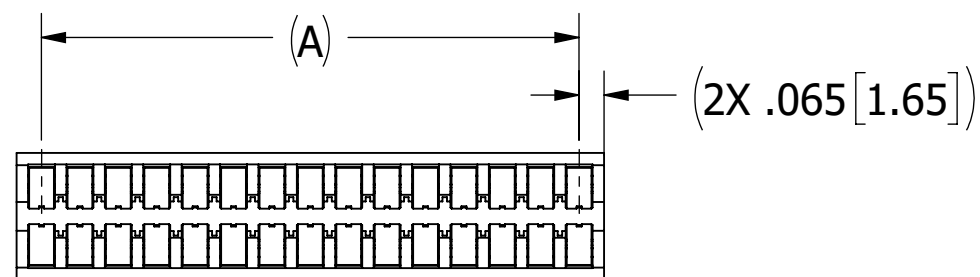
2X FLOATING BOBBIN
Ø .116 [2.95] CLEARANCE
FOR #4 SCREW



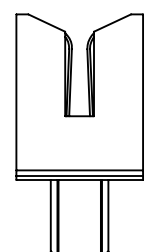
--- C --- **DRTI**
--- C --- **DRTI-S38, S81, S328**



--- C --- **DRTF**
--- C --- **DRTF-S38, S81, S328**



--- C --- **DRTB**
--- C --- **DRTB-S38, S81, S328**

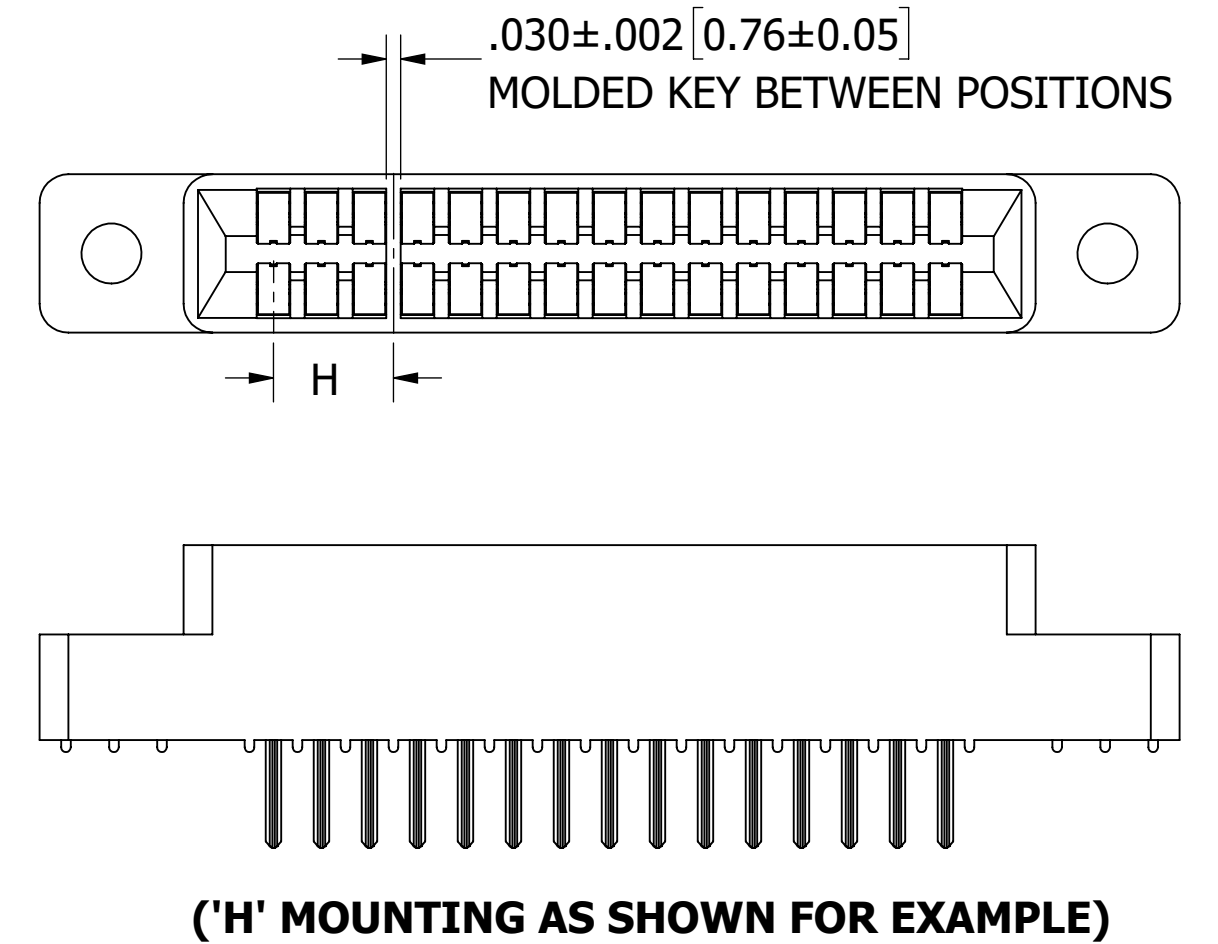
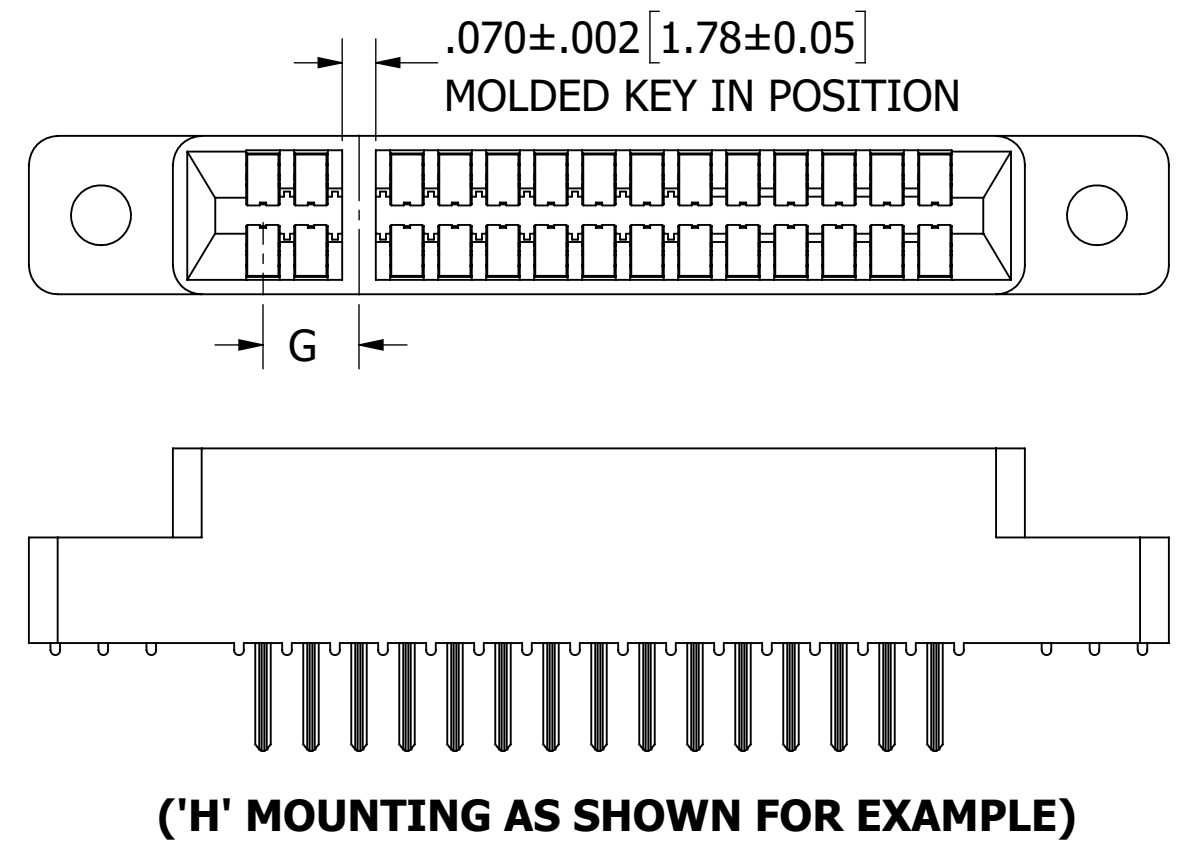


CUSTOMER COPY



UNLESS OTHERWISE SPECIFIED: DIMENSIONS ARE IN INCHES [MM]		DRAWN	DATE	NAME	
TOLERANCES: ANGULAR: ± 1° DECIMALS .XX = ± .02 [.5] .XXX = ± .005 [.13] .XXXX = ± .0005 [.013]		01/25/07	MNH		
<small>THE INFORMATION HEREIN CONTAINS PROPRIETARY INFORMATION OF SULLINS ELECTRONICS AND IS NOT TO BE REPRODUCED, USED OR DISCLOSED TO OTHERS FOR ANY PURPOSE EXCEPT AS SPECIFICALLY AUTHORIZED IN WRITING BY AN OFFICER OF SULLINS ELECTRONICS.</small>					TITLE EDGECARD, .100 CC LP
PART NUMBER --- C --- DRT (-S38, S81, S328)					REV K
SIZE	CAGE CODE	DWG. NO.		SCALE: 2:1	C10878 SHEET 2 OF 3

PART NUMBER	NO. OF POS.	A±.008[0.20]		B±.008[0.20]		C±.015[0.38]		D±.010[0.25]		E±.020[0.51]		F+/.005/-0.015[+0.13/-0.38]	
		IN	MM	IN	MM	IN	MM	IN	MM	IN	MM	IN	MM
C02DRT	2	0.100	2.54	0.300	7.62	0.475	12.07	0.775	19.69	1.075	27.31		
C03DRT	3	0.200	5.08	0.400	10.16	0.575	14.61	0.875	22.23	1.175	29.85		
C04DRT	4	0.300	7.62	0.500	12.70	0.675	17.15	0.975	24.77	1.275	32.39		
C05DRT	5	0.400	10.16	0.600	15.24	0.775	19.69	1.075	27.31	1.375	34.93		
C06DRT	6	0.500	12.70	0.700	17.78	0.875	22.23	1.175	29.85	1.475	37.47		
C07DRT	7	0.600	15.24	0.800	20.32	0.975	24.77	1.275	32.39	1.575	40.01		
C08DRT	8	0.700	17.78	0.900	22.86	1.075	27.31	1.375	34.93	1.675	42.55		
C10DRT	10	0.900	22.86	1.100	27.94	1.275	32.39	1.575	40.01	1.875	47.63		
C12DRT	12	1.100	27.94	1.300	33.02	1.475	37.47	1.775	45.09	2.075	52.71		
C13DRT	13	1.200	30.48	1.400	35.56	1.575	40.01	1.875	47.63	2.175	55.25		
C14DRT	14	1.300	33.02	1.500	38.10	1.675	42.55	1.975	50.17	2.275	57.79		
C15DRT	15	1.400	35.56	1.600	40.64	1.775	45.09	2.075	52.71	2.375	60.33		
C17DRT	17	1.600	40.64	1.800	45.72	1.975	50.17	2.275	57.79	2.575	65.41		
C18DRT	18	1.700	43.18	1.900	48.26	2.075	52.71	2.375	60.33	2.675	67.95		
C19DRT	19	1.800	45.72	2.000	50.80	2.175	55.25	2.475	62.87	2.775	70.49		
C20DRT	20	1.900	48.26	2.100	53.34	2.275	57.79	2.575	65.41	2.875	73.03		
C22DRT	22	2.100	53.34	2.300	58.42	2.475	62.87	2.775	70.49	3.075	78.11		
C23DRT	23	2.200	55.88	2.400	60.96	2.575	65.41	2.875	73.03	3.175	80.65		
C25DRT	25	2.400	60.96	2.600	66.04	2.775	70.49	3.075	78.11	3.375	85.73		
C26DRT	26	2.500	63.50	2.700	68.58	2.875	73.03	3.175	80.65	3.475	88.27		
C28DRT	28	2.700	68.58	2.900	73.66	3.075	78.11	3.375	85.73	3.675	93.35		
C30DRT	30	2.900	73.66	3.100	78.74	3.275	83.19	3.575	90.81	3.875	98.43		
C31DRT	31	3.000	76.20	3.200	81.28	3.375	85.73	3.675	93.35	3.975	100.97		
C32DRT	32	3.100	78.74	3.300	83.82	3.475	88.27	3.775	95.89	4.075	103.51		
C35DRT	35	3.400	86.36	3.600	91.44	3.775	95.89	4.075	103.51	4.375	111.13		
C36DRT	36	3.500	88.90	3.700	93.98	3.875	98.43	4.175	106.05	4.475	113.67		
C40DRT	40	3.900	99.06	4.100	104.14	4.275	108.59	4.575	116.21	4.875	123.83		
C43DRT	43	4.200	106.68	4.400	111.76	4.575	116.21	4.875	123.83	5.175	131.45		
C44DRT	44	4.300	109.22	4.500	114.30	4.675	118.75	4.975	126.37	5.275	133.99		
C49DRT	49	4.800	121.92	5.000	127.00	5.175	131.45	5.475	139.07	5.775	146.69		
C50DRT	50	4.900	124.46	5.100	129.54	5.275	133.99	5.575	141.61	5.875	149.23		
C52DRT	52	5.100	129.54	5.300	134.62	5.475	139.07	5.775	146.69	6.075	154.31		
C60DRT	60	5.900	149.86	6.100	154.94	6.275	159.39	6.575	167.01	6.875	174.63		
C64DRT	64	6.300	160.02	6.500	165.10	6.675	169.55	6.975	177.17	7.275	184.79		
C65DRT	65	6.400	162.56	6.600	167.64	6.775	172.09	7.075	179.71	7.375	187.33		



PART NUMBER CODING

C **DRT** **-S**

MATERIAL (INSULATOR/CONTACT)

E = BLUE PBT/PHOSPHOR BRONZE
OPERATING TEMP: -65°C TO +125°C
PROCESSING TEMP: WAVE/MANUAL SOLDERING ONLY

R = GREEN PPS/PHOSPHOR BRONZE
OPERATING TEMP: -65°C TO +125°C
PROCESSING TEMP: 260°C MAX FOR 20 SECONDS

G = BLACK PA9T/PHOSPHOR BRONZE
OPERATING TEMP: -65°C TO +125°C
PROCESSING TEMP: 260°C MAX FOR 20 SECONDS

H = BLUE PBT/BERYLLIUM COPPER
OPERATING TEMP: -65°C TO +125°C
PROCESSING TEMP: WAVE/MANUAL SOLDERING ONLY

A = GREEN PPS/BERYLLIUM COPPER
OPERATING TEMP: -65°C TO +150°C
PROCESSING TEMP: 260°C MAX FOR 20 SECONDS

J = BLACK PA9T/BERYLLIUM COPPER
OPERATING TEMP: -65°C TO +150°C
PROCESSING TEMP: 260°C MAX FOR 20 SECONDS

F = GREEN PPS/SPINODAL (CONSULT FACTORY)
OPERATING TEMP: -65°C TO +200°C
AVAILABLE IN OVERALL GOLD ONLY (S OR M PLATING CODE)
PROCESSING TEMP: 260°C MAX FOR 20 SECONDS
(CONSULT FACTORY FOR SPECIAL SOLDERING REQUIREMENTS)

X = TAN PEEK/SPINODAL (CONSULT FACTORY)
OPERATING TEMP: -65°C TO +200°C
AVAILABLE IN OVERALL GOLD ONLY (S OR M PLATING CODE)
PROCESSING TEMP: 260°C MAX FOR 20 SECONDS
(CONSULT FACTORY FOR SPECIAL SOLDERING REQUIREMENTS)

C = GREEN PPS/BERYLLIUM NICKEL (CONSULT FACTORY)
AVAILABLE IN OVERALL GOLD ONLY (S OR M PLATING CODE)
OPERATING TEMP: -65°C TO +200°C
PROCESSING TEMP: 260°C MAX FOR 20 SECONDS

W = TAN PEEK/BERYLLIUM NICKEL (CONSULT FACTORY)
AVAILABLE IN OVERALL GOLD ONLY (M PLATING CODE)
OPERATING TEMP: -65°C TO +250°C

MODIFICATION

OMIT = STANDARD WITHOUT MOLDED KEY, EX: 'EBC22DRTH'
S38 = BLACK PBT WITHOUT MOLDED KEY (MATERIAL CODES E & H ONLY)
S81 = GREEN PBT WITHOUT MOLDED KEY (MATERIAL CODES E & H ONLY)
S328 = BROWN PPS WITHOUT MOLDED KEY (MATERIAL CODES A, R, F, AND C ONLY)
OTHER S# FOR PARTS WITH MOLDED KEY FOR DEFAULT MATERIAL
SEE DWG C13556 FOR KEY LOCATION, DIMENSIONS AND S#

MOUNTING STYLE

H = .125" DIA. CLEARANCE HOLES
I = #4-40 THREADED INSERT
S = .125" DIA. SIDE MOUNTING
N = NO MOUNTING EARS
F = FLOATING BOBBIN
B = OPEN CARDSLOT

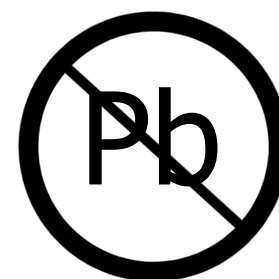
**NUMBER OF POSITIONS
(CONTACTS PER ROW)**

PLATING

ALL PLATINGS HAVE .000050" NICKEL UNDERPLATE

CONTACT SURFACE	TERMINATION
B = .000010" GOLD	.000100" PURE TIN, MATTE
C = .000030" GOLD	.000100" PURE TIN, MATTE
G = .000010" GOLD	.000005" GOLD
Y = .000030" GOLD	.000005" GOLD
S = .000010" GOLD OVERALL	
M = .000030" GOLD	.000010" GOLD OVERALL
*E = .000100" PURE TIN, MATTE	OVERALL

*OVERALL TIN ONLY AVAILABLE ON MATERIAL CODES E, R, AND G



CUSTOMER COPY

UNLESS OTHERWISE SPECIFIED: DIMENSIONS ARE IN INCHES [MM]	DRAWN	DATE	NAME	
		01/25/07	MNH	
TOLERANCES: ANGULAR: ± 1° DECIMALS .XX = ± .02 [.5] .XXX = ± .005 [.13] .XXXX = ± .0005 [.013]	TITLE EDGE CARD, .100 CC LP			PART NUMBER C DRT (-S38, S81, S328)
	SIZE C	CAGE CODE 54453	DWG. NO. C10878	
SCALE: 2.5:1		SHEET 3 OF 3		