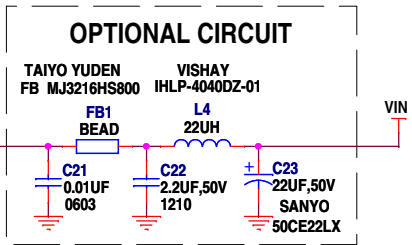
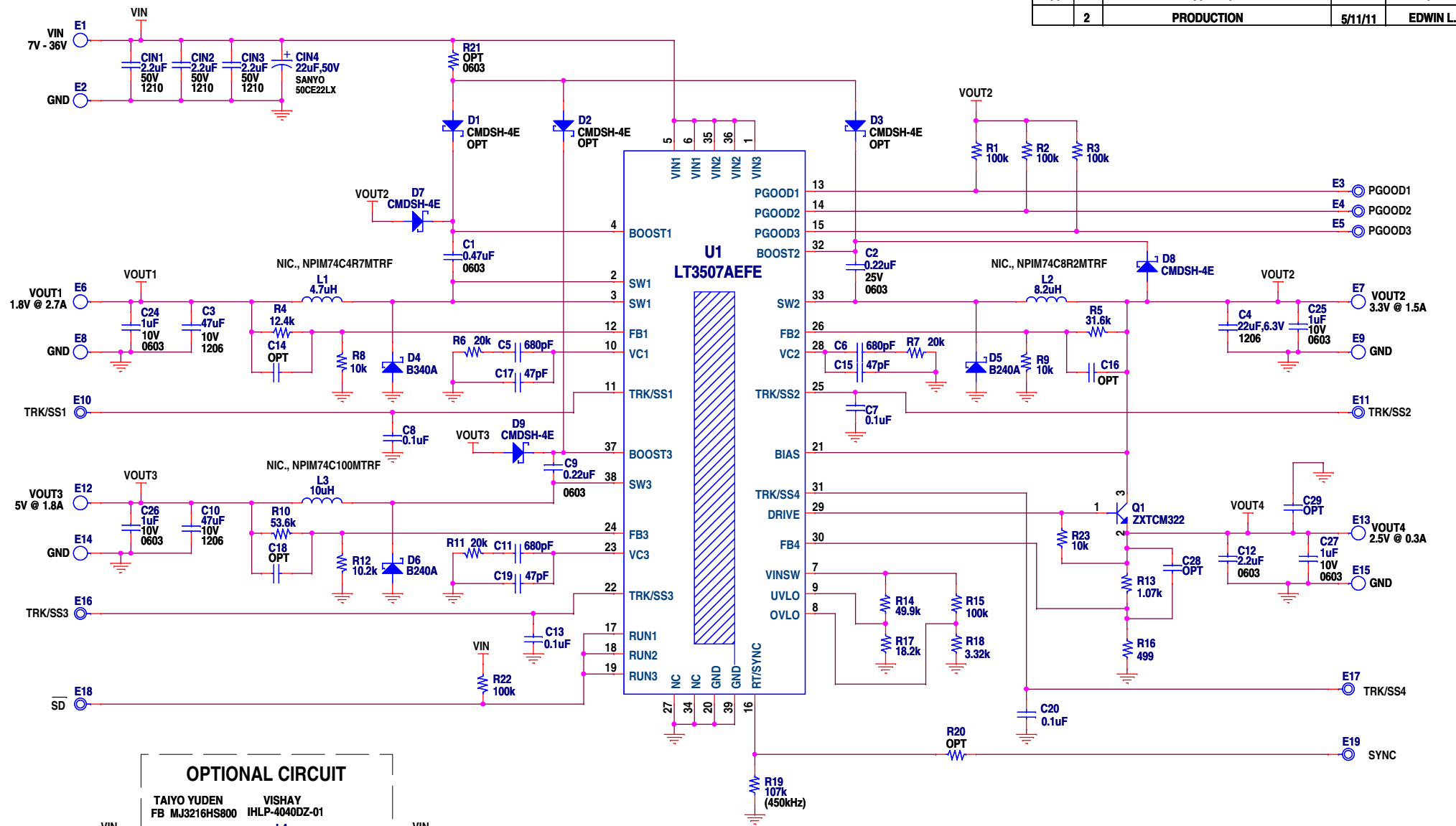


REVISION HISTORY				
ECO	REV	DESCRIPTION	DATE	APPROVED
	2	PRODUCTION	5/11/11	EDWIN L.



**NOTES: UNLESS OTHERWISE SPECIFIED**

1. ALL RESISTORS ARE IN 0402.  
ALL CAPACITORS ARE 0402.

CUSTOMER NOTICE		APPROVALS			
LINEAR TECHNOLOGY HAS MADE A BEST EFFORT TO DESIGN A CIRCUIT THAT MEETS CUSTOMER-SUPPLIED SPECIFICATIONS; HOWEVER, IT REMAINS THE CUSTOMER'S RESPONSIBILITY TO VERIFY PROPER AND RELIABLE OPERATION IN THE ACTUAL APPLICATION. COMPONENT SUBSTITUTION AND PRINTED CIRCUIT BOARD LAYOUT MAY SIGNIFICANTLY AFFECT CIRCUIT PERFORMANCE OR RELIABILITY. CONTACT LINEAR TECHNOLOGY APPLICATIONS ENGINEERING FOR ASSISTANCE.		PCB DES.	HZ	1630 McCarthy Blvd. Milpitas, CA 95035 Phone: (408)432-1900 www.linear.com Fax: (408)434-0507 LTC Confidential-For Customer Use Only	
		APP ENG.	EDWIN L.	TITLE: SCHEMATIC	
				<b>TRIPLE MONOLITHIC STEP-DOWN REGULATOR WITH LDO</b>	
		SIZE	IC NO.	<b>LT3507AEFE</b>	
		N/A	<b>DEMO CIRCUIT 1781A</b>		REV. 2
THIS CIRCUIT IS PROPRIETARY TO LINEAR TECHNOLOGY AND SUPPLIED FOR USE WITH LINEAR TECHNOLOGY PARTS.		SCALE = NONE		DATE: Monday, August 01, 2011	
				SHEET 1 OF 1	