

THIS DRAWING IS UNPUBLISHED. RELEASED FOR PUBLICATION
 © COPYRIGHT - By - ALL RIGHTS RESERVED.

REVISIONS				
P	LTR	DESCRIPTION	DATE	APVD
AA5		REVISED PER ECR-22-129998	12APR2022	WH LC

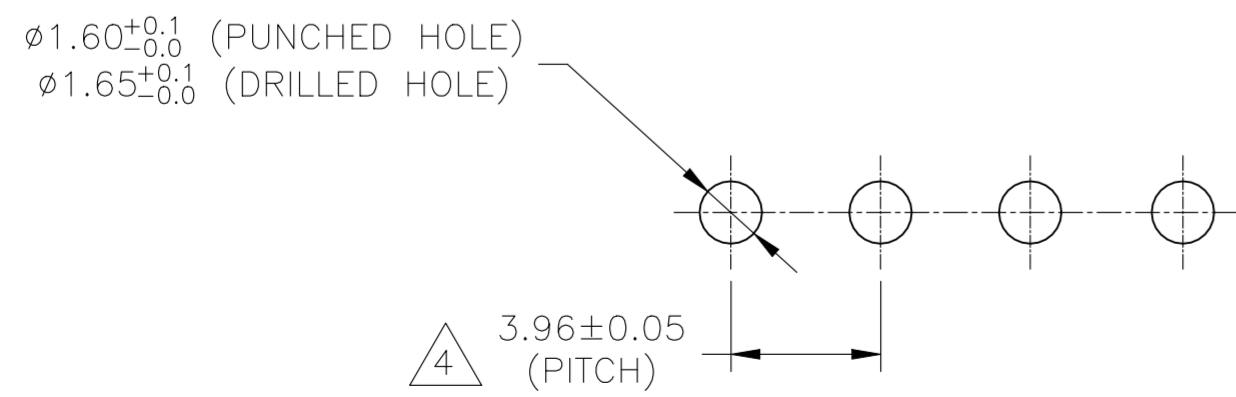
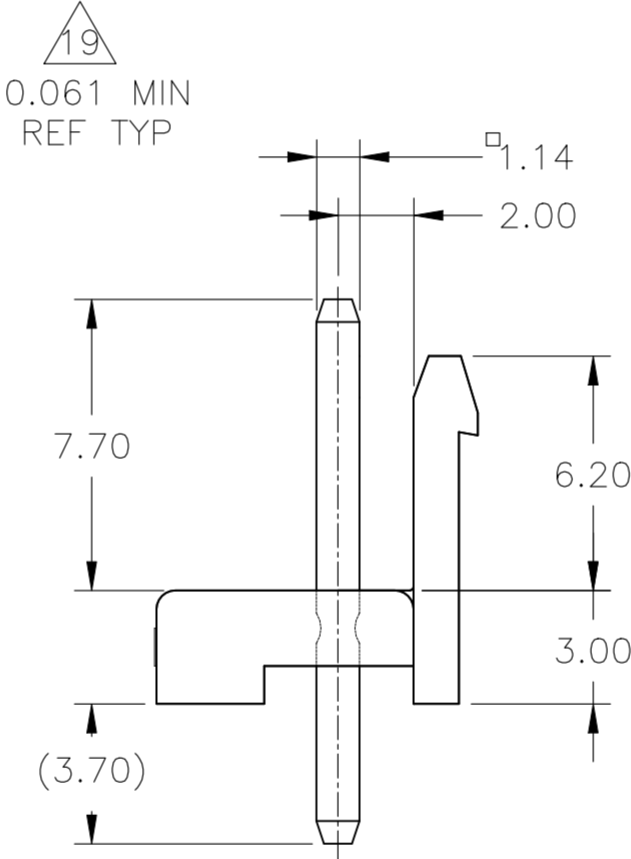
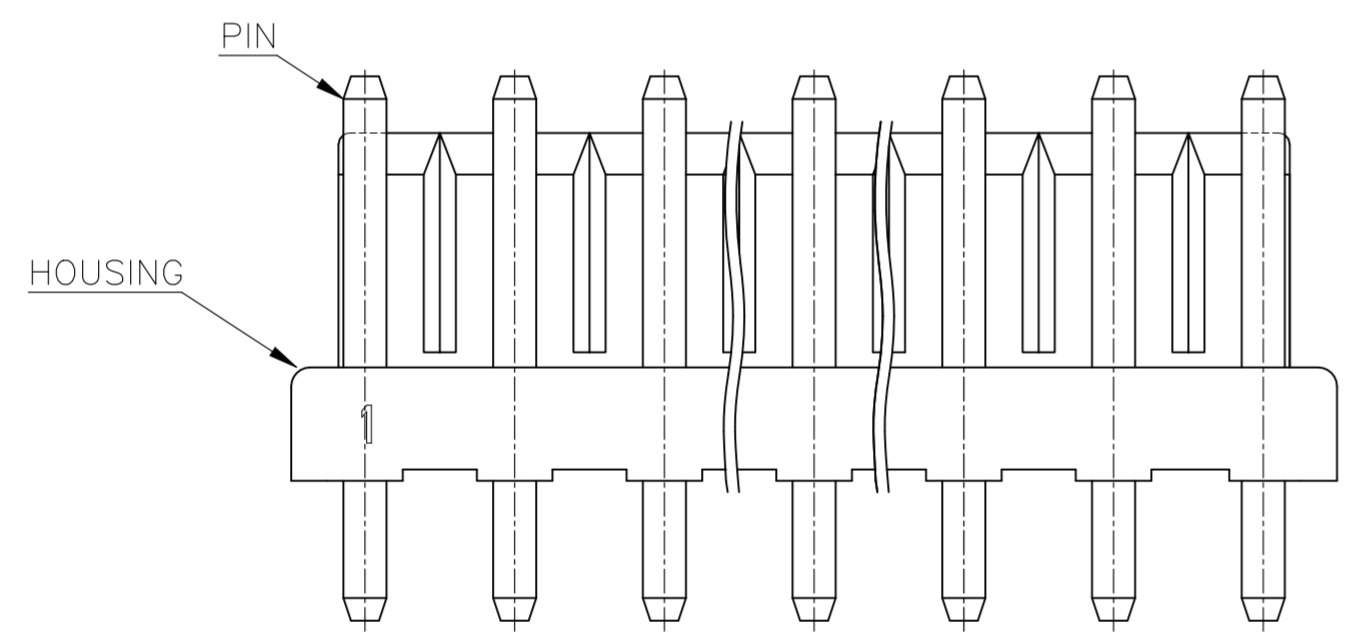
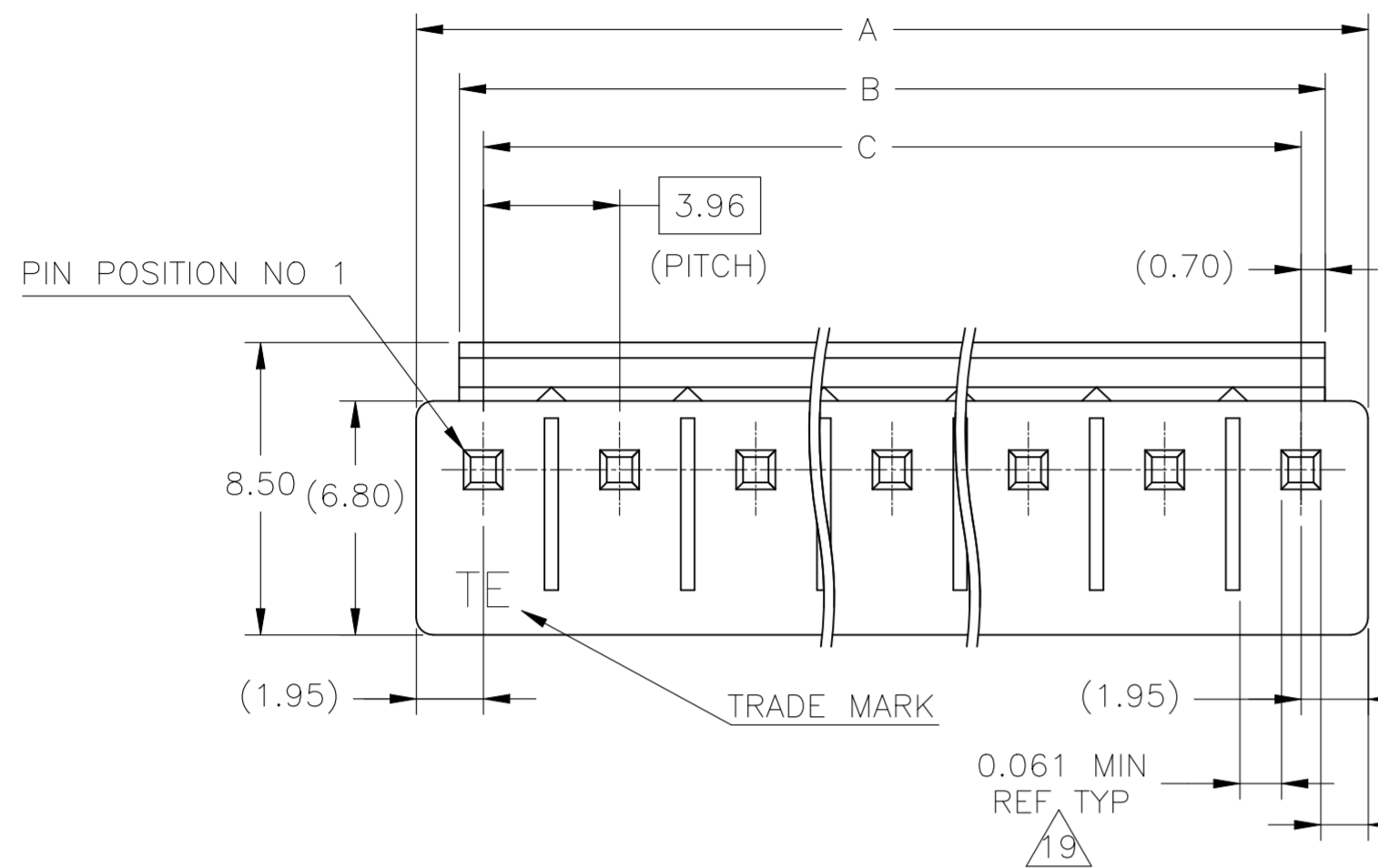


FIG.1

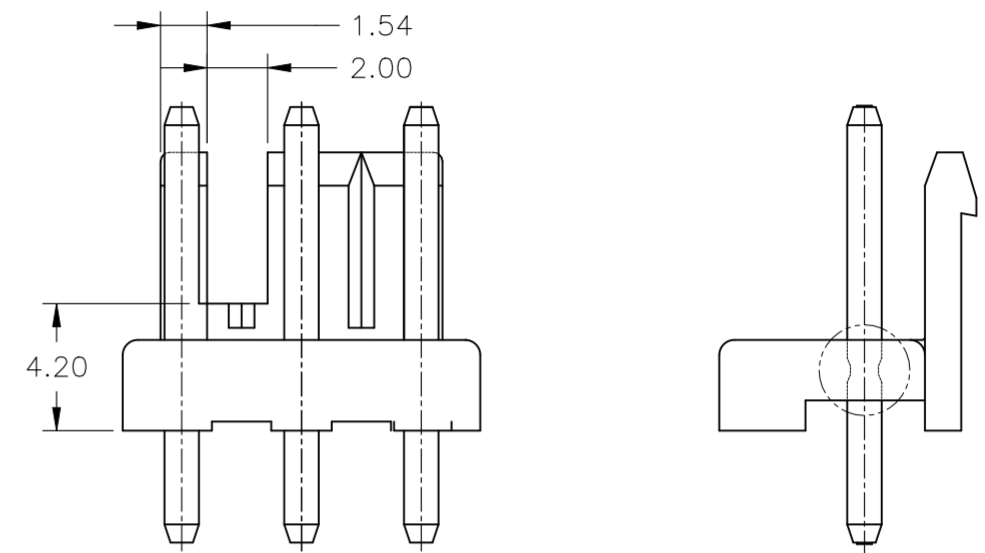
- 1 MATING CONN P/N: □-1123722-□
 - 2 APPLICABLE P.C.B LAYOUT: SEE FIG. 1
 - 3 APPLICABLE P.C.B THICKNESS: 1.60
 - 4 SKETCHES SHOW NO PINS MISSING.
 - 6 PIN: POST TIN OVER BRASS
 - 7 HOUSING: PBT, 30% GLASS, UL94-V0(ONLY NATURAL COLOR).
 - 8 ○ : WITH PIN,
X : WITHOUT PIN.
 - 10 SUPERSEDED BY 1744489-2.
 - 11 SUPERSEDED BY 1744489-4.
 - 12 SUPERSEDED BY 1744489-5.
 - 13 SUPERSEDED BY 1744489-6.
 - 14 SUPERSEDED BY 1744489-7.
 - 15 SUPERSEDED BY 1744489-8.
 - 16 SUPERSEDED BY 1744489-9.
 - 17 SUPERSEDED BY 1-1744489-0.
 - 18 SUPERSEDED BY 1-1744489-1.
 - 19 VALUES FOR UL 61800-5-1, ONLY NATURAL COLOR.
- | Flam | RTIe deg C | HWI | HAI | CTI |
|------|------------|-------|-------|-------------|
| V0 | 130 | PLC 2 | PLC 4 | PLC 2_UL746 |
- 20 PRELIMINARY: NOT FOR PRODUCTION

THIS DRAWING IS A CONTROLLED DOCUMENT.		DWN N.YAMASAKI 13MAR'01	TE Connectivity	
DIMENSIONS: mm		CHK M.SHINDO 13MAR'01		
TOLERANCES UNLESS OTHERWISE SPECIFIED:		APVD Y.KASHIWA 13MAR'01	NAME 3.96MM PITCH ECONOMY POWER(EP) CONN HEADER ASSY	
0 PLC ±		PRODUCT SPEC 108-5609	SIZE A2	
1 PLC ± 0.50		APPLICATION SPEC 114-32134	CAGE CODE 00779	DRAWING NO C=1123723
2 PLC ± 0.30		WEIGHT -	RESTRICTED TO -	SCALE N/A
3 PLC ±		MATERIAL SEE TABLE	SHEET 1 OF 2	REV AA5
4 PLC ±		FINISH SEE TABLE	CUSTOMER DRAWING	
ANGLES ± 3°				

THIS DRAWING IS UNPUBLISHED. RELEASED FOR PUBLICATION
 © COPYRIGHT - By - ALL RIGHTS RESERVED.

REVISIONS					
P	LTR	DESCRIPTION	DATE	DWN	APVD
-	-	SEE SHEET 1	-	-	-

PIN POSITION	"C"	"B"REF	"A"REF	COLOR	POS	ASS'Y P/N
1				NATURAL		7-1123723-8
2				GREEN		6-1123723-8
3				BLACK		5-1123723-8
4				RED	8	4-1123723-8
5				BLUE		3-1123723-8
6				YELLOW		2-1123723-8
7				NATURAL		1-1123723-8
8	27.72	29.12	31.62	NATURAL		7-1123723-7
9				GREEN		6-1123723-7
10				BLACK		5-1123723-7
11				RED	7	4-1123723-7
12				BLUE		3-1123723-7
13				YELLOW		2-1123723-7
14	23.76	25.16	27.66	NATURAL		7-1123723-6
15				GREEN		6-1123723-6
16				BLACK		5-1123723-6
17				RED	6	4-1123723-6
18				BLUE		3-1123723-6
19				YELLOW		2-1123723-6
20				NATURAL		1-1123723-6
21				NATURAL		7-1123723-5
22				GREEN		6-1123723-5
23				BLACK		5-1123723-5
24				RED	5	4-1123723-5
25				BLUE		3-1123723-5
26				YELLOW		2-1123723-5
27				NATURAL		1-1123723-5
28	15.84	17.24	19.74	NATURAL		7-1123723-4
29				GREEN		6-1123723-4
30				BLACK		5-1123723-4
31				RED	4	4-1123723-4
32				BLUE		3-1123723-4
33				YELLOW		2-1123723-4
34				NATURAL		1-1123723-4
35				NATURAL		8-1123723-3
36				NATURAL		7-1123723-3
37				GREEN		6-1123723-3
38				BLACK		5-1123723-3
39				RED	3	4-1123723-3
40				BLUE		3-1123723-3
41				YELLOW		2-1123723-3
42				NATURAL		1-1123723-3
43				NATURAL		7-1123723-2
44				GREEN		6-1123723-2
45				BLACK		5-1123723-2
46				RED	2	4-1123723-2
47				BLUE		3-1123723-2
48				YELLOW		2-1123723-2
49				NATURAL		1-1123723-2
50	3.96	5.36	7.86	NATURAL		7-1123723-1
51				GREEN		6-1123723-1
52				BLACK		5-1123723-1
53				RED	11	4-1123723-1
54				BLUE		3-1123723-1
55				YELLOW		2-1123723-1
56				NATURAL		1-1123723-1
57				NATURAL		7-1123723-0
58				GREEN		6-1123723-0
59				BLACK		5-1123723-0
60				RED	10	4-1123723-0
61				BLUE		3-1123723-0
62				YELLOW		2-1123723-0
63				NATURAL		1-1123723-0
64				NATURAL		7-1123723-9
65				GREEN		6-1123723-9
66				BLACK		5-1123723-9
67				RED	9	4-1123723-9
68				BLUE		3-1123723-9
69				YELLOW		2-1123723-9
70				NATURAL		1-1123723-9



8-1123723-3 SHOW Δ_{20}

PIN POSITION	"C"	"B"REF	"A"REF	COLOR	POS	ASS'Y P/N
1				NATURAL		8-1123723-1
2				GREEN		6-1123723-1
3				BLACK		5-1123723-1
4				RED	11	4-1123723-1
5				BLUE		3-1123723-1
6				YELLOW		2-1123723-1
7				NATURAL		1-1123723-1
8				NATURAL		7-1123723-0
9				GREEN		6-1123723-0
10				BLACK		5-1123723-0
11				RED	10	4-1123723-0
12				BLUE		3-1123723-0
13				YELLOW		2-1123723-0
14				NATURAL		1-1123723-0
15				NATURAL		7-1123723-9
16				GREEN		6-1123723-9
17				BLACK		5-1123723-9
18				RED	9	4-1123723-9
19				BLUE		3-1123723-9
20				YELLOW		2-1123723-9
21				NATURAL		1-1123723-9

THIS DRAWING IS A CONTROLLED DOCUMENT.

DWN N.YAMASAKI 13MAR'01	TE Connectivity 3.96MM PITCH ECONOMY POWER(EP) CONN HEADER ASSY				
CHK M.SHINDO 13MAR'01					
APVD Y.KASHIWA 13MAR'01					
PRODUCT SPEC 108-5609					
MATERIAL SEE TABLE	APPLICATION SPEC 114-32134	SIZE A2	CAGE CODE 00779	DRAWING NO C=1123723	RESTRICTED TO -
CUSTOMER DRAWING		SCALE N/A	SHEET 2 OF 2	REV AA5	